



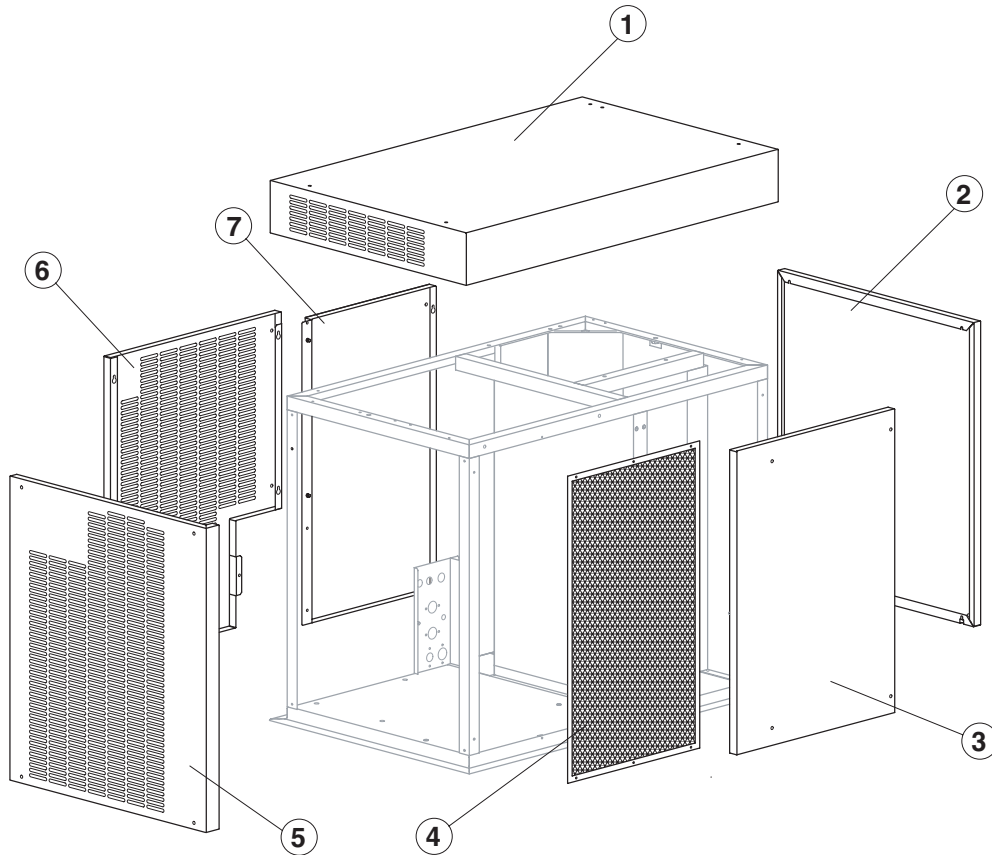
SHELL ASSY

COOLING SYSTEM

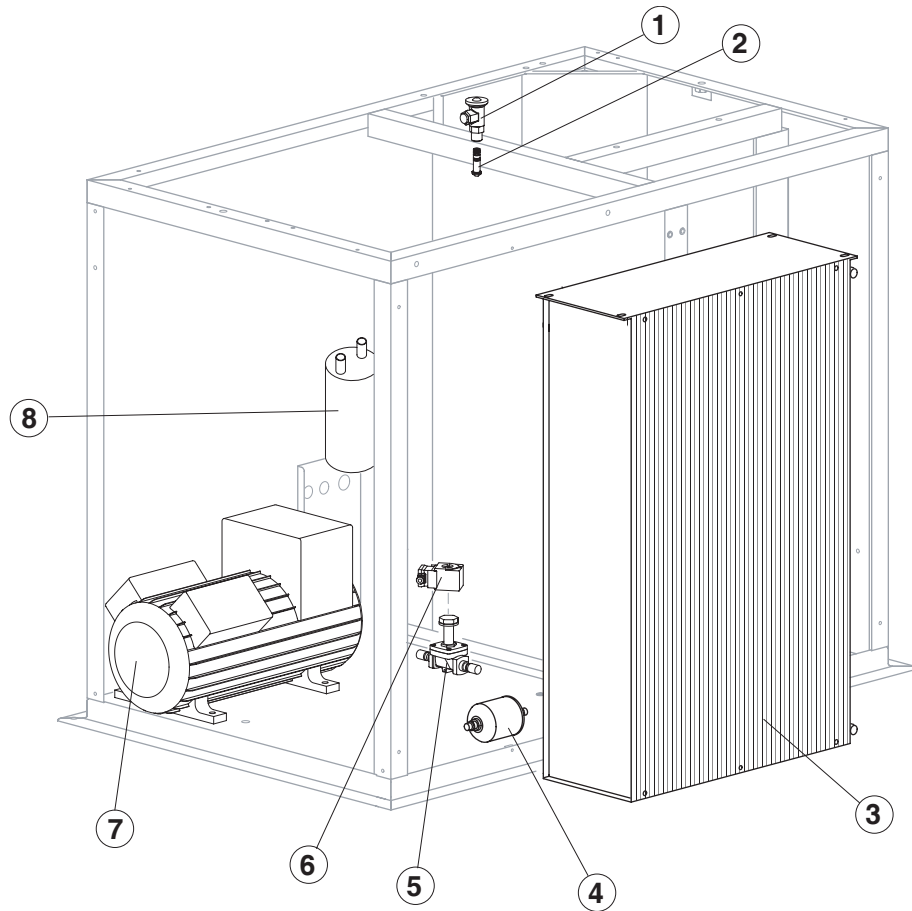
EVAPORATOR

PUMP

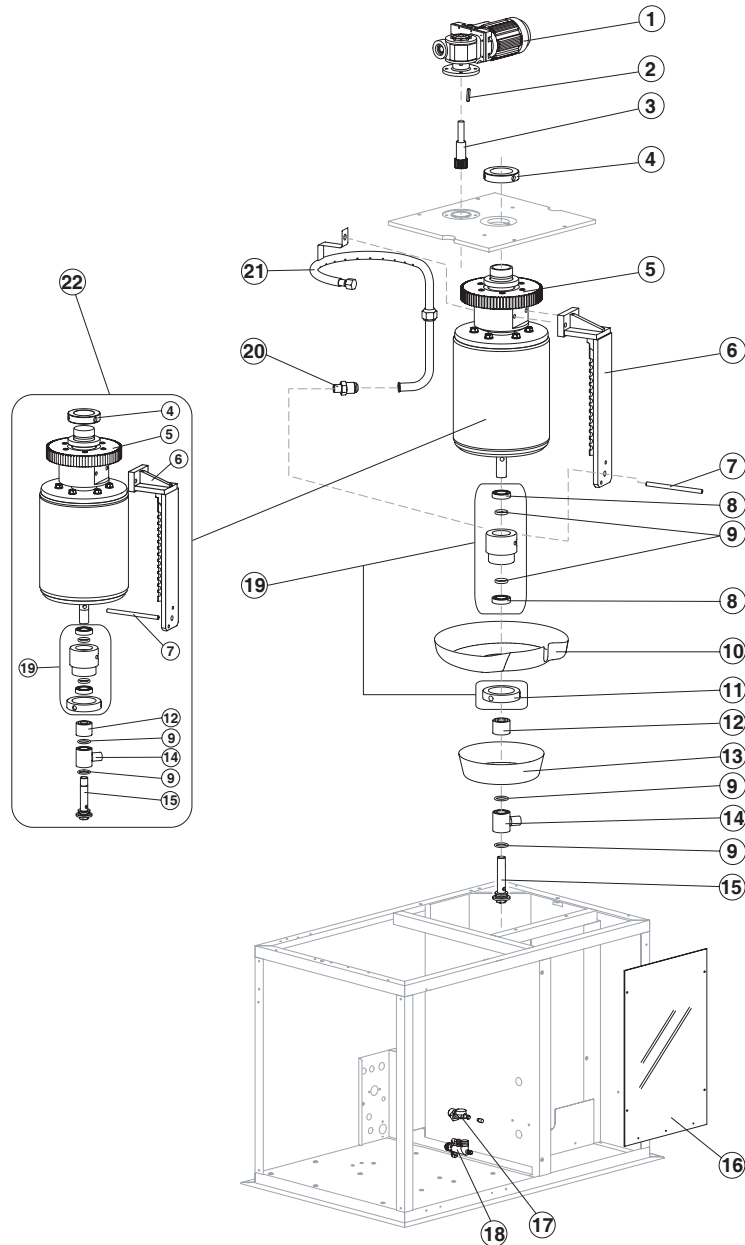
ELECTRIC PARTS



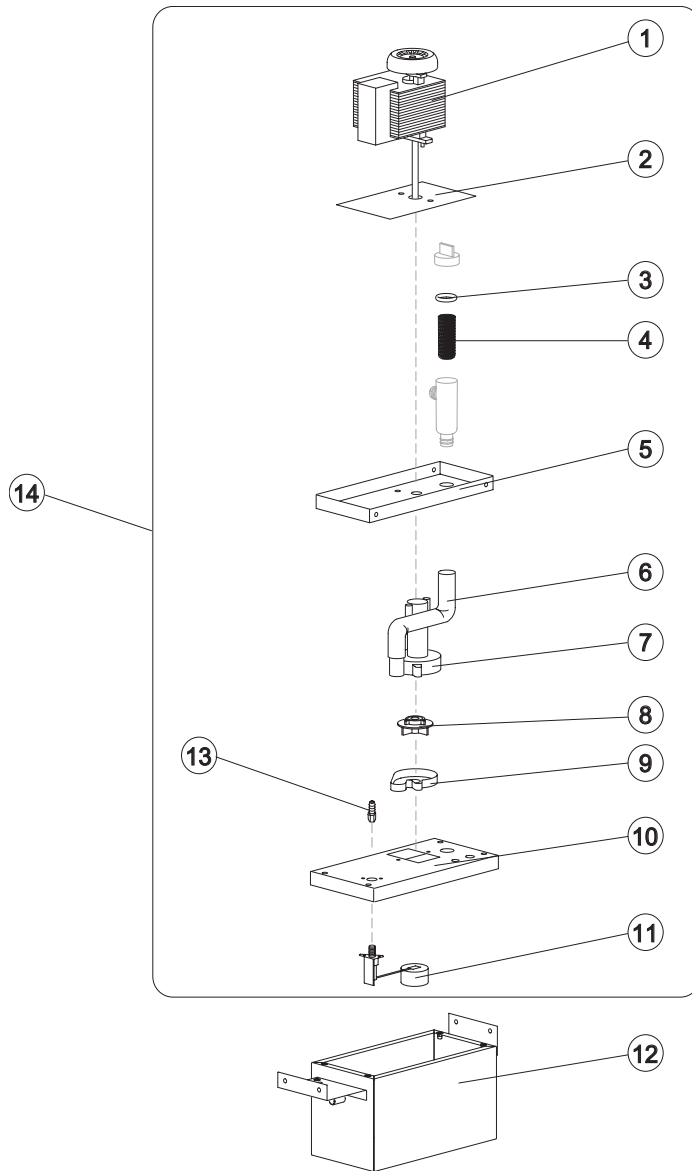
<i>Ref.</i>	<i>Spare Description</i>	<i>Code</i>
1	Top Assembly	C22449
2	Right Side Panel	221051
3	Front Panel Assy (Evaporator Side)	C221052B
4	Filter	18192
5	Left Side Panel	221050
6	Rear Panel (Group Side)	221054
7	Rear Panel (Evaporator Side)	221053



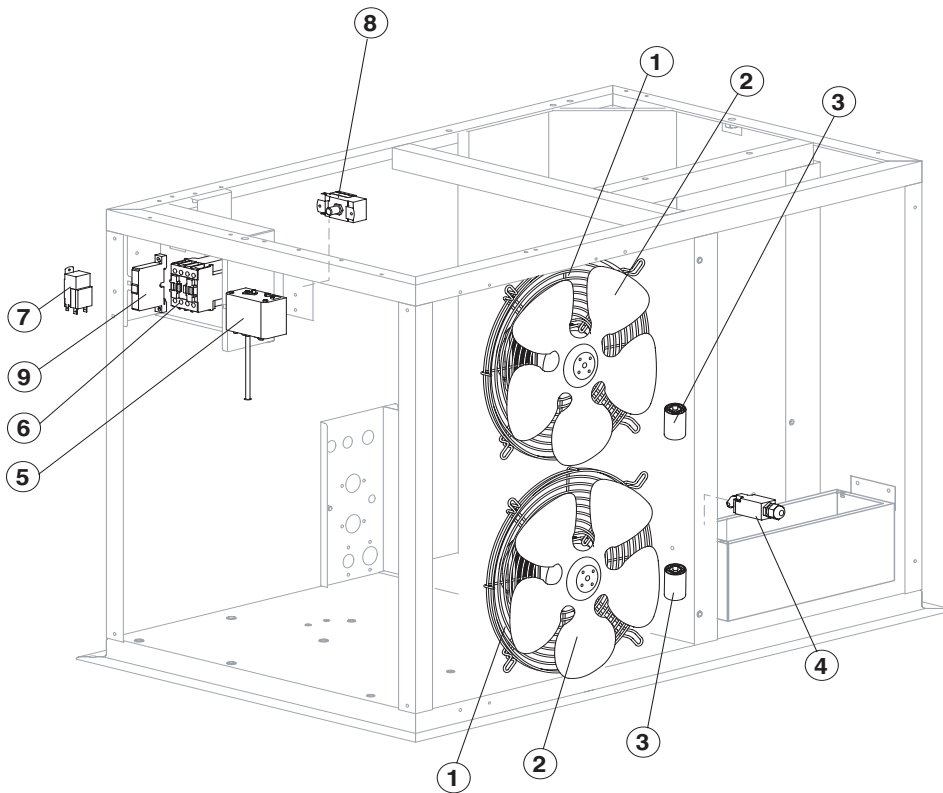
Ref.	Spare Description	Code
1	Expansion Valve	20826
2	Orifice	20833
3	Air Condenser	20830
4	Solid Core drier	14255
5	Hot Gas Valve Body	20409
6	Hot Gas Valve Coil	23091
7	Compressor	23863
8	Liquid Separator	20883



Ref.	Spare Description	Code
1	Gearmotor Ass	C23412
2	Key 6x6x40	20350
3	Pinion with Shaft for Gearmotor	C20344
4	Cylinder Locking Ring Nut	20365
5	Ring Gear	20363
6	Scraper	20873
7	M10 Tie Rod (to Block Scraper)	20874
8	Stainless Steel Upper Bearin	20045
9	Silicone OR 4081 Ring	20338
10	Rotating Basin	10191
11	Ring Nut for Rotating Ring	10194
12	Spacer	10528
13	Fixed Basin	C10192
14	Water Inlet Ring	20851
15	Screw	20872
16	Evaporator Chamber Shield	10536
17	1 Way- Water Inlet Nipple	10239
18	Discharges Manifold	C10384
19	Complete Rotating Ring	C10193
20	Joint	20367
21	Sprayer Ring	C20882
22	Evaporator	C20877



Ref.	Spare Description	Code
1	Pump	23600
2	Heat Dissipator	22430
3	Pump Filter Gasket	13080
4	Filtering Element	20254
5	Pump Motor Support	10161
6	Pump-Filter Connection Pipe	13084
7	Pump Body	10065
8	Pump Impeller	10066
9	Diffusor	10067
10	Water Pump Basin Cover	22420
11	Floating Valve	10188
12	Water Pump Basin	C22443
13	Connection	20799
14	Pump and Filter Assy	C26732



Ref.	Spare Description	Code
1	Fan Motor Grid	12053
2	Fan Motor	23468
3	5µF Capacitor	23469
4	Microswitch for Overflow Ice	23746
5	Safety Pressure Switch (Low Pressure)	23763
6	Contactor	23398
7	Bin Thermostat	R23005
8	Safety Pressure Switch (High Pressure)	23342
8	Thermomagnetic circuit breaker	23910