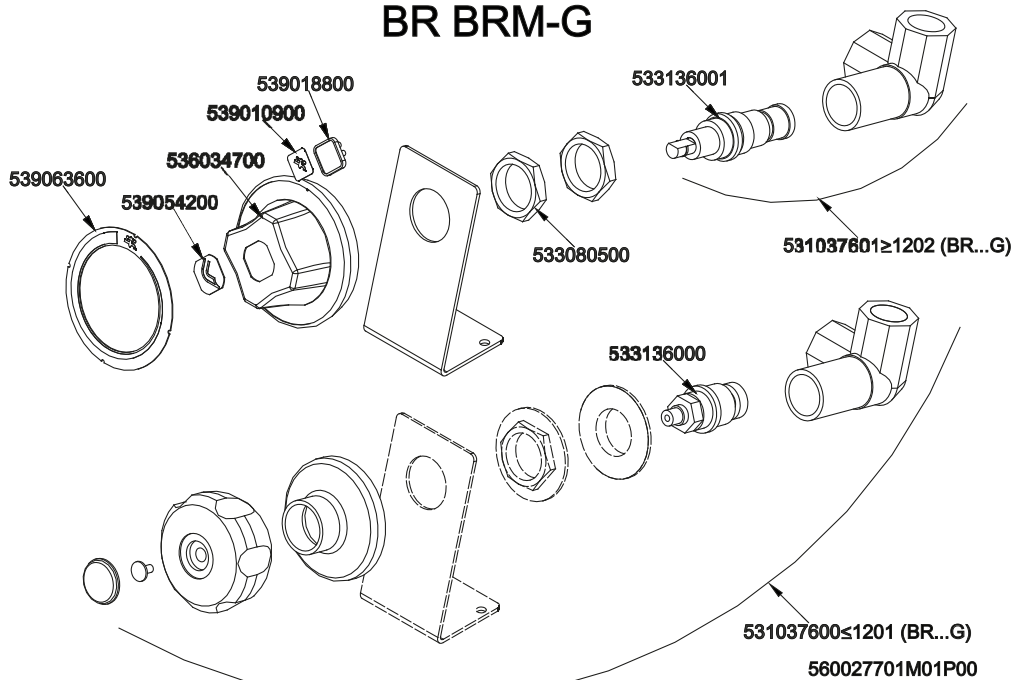


BR BRM-G



Page	Pos	Code	Description
001		532004100	FLUE GRID L=370 90LINE (RAF
001		541008100	DRAIN FILTER TANK CP 700LINE
001		541118200	UPPER PLATE BM-94G
001		544420700	
001		531026000	BURNER FT-4/6/8G BM-4G
001		544407400	LEFT SIDE PANEL 70 LINE
001		546005500	RUBBER TUBE §25INT.*§33EXT.XL=660
001		546005600	RUBBER TUBE §25INT.*§33EXT.XL=420
001		531018600	BALL VALVE 1"G M-F CPM-62G
001		533040000	1"G F-F-F "T" FITTING
001		533087300	HEXAGONAL BICONE 1G
001		533039900	PIPE HOLDER 1" G M D.24
001		533038200	1" G M-F ELBOW FITTING
001		541106102	CONTROL PANEL S607090 BM-74/94G
001		544407300	RIGHT SIDE PANEL 90 LINE
001		536005200	INOX LEG 2" 120-180 M10
002		533011500	PILOT BURNER 2 FLAMES 220
002		533045700	THERMOCOUPLE M9*1 500
002		533010400	BICONE D.6
002		533018500	FITTING FOR BICONE D.6 M10*1
002		533085200	SPACER FOR PILOT PLUG
002		537008300	ROUND PLUG §2,4- LONG ELECTRODE
002		533018600	PLUG FITTING
002		547003200	HIGH-VOLTAGE CABLE TUBE.§2 L=500
002		539060700	RED STICKING DISK 72 (030,090°
002		539054200	STAMP Ø20,5 CR."L" LOTUS R.
002		533139200	SHORT PIVOT FOR BRASS KNOB
002		536034500	KNOB §77 4P. §08*6,5
002		539018900	INDEX FOR KNOB W/RED SIGN
002		533139300	BURNISH HEADLESS SCREW M05*05 PCEI
002		531025101	EUROSIT VALVE BM 30-100°C
002		533039100	BICONE §6
002		533009400	BICONE 10S
002		533009500	NIPPLE FOR BICONE 10S
002		533018000	ELBOW FOR BICONE D.12 3/8 RS L20
002		533017900	BICONE D.12
002		533053600	EUROSIT VALVE PLUG
002		533053300	THERMOCOUPLE EXTENSION M9*1
002		533010900	NUT M14*1 H.4
002		533052301	JOINT FOR NOZZLE HOLDER
002		533039300	BICONE §10
002		533010800	TUBE NUT D.10 M16*1,5
002		533006700	NOTCHED WASHER D.14
002		536005100	GRAPHITE §07,4 GASKET
002		533018400	THREADED FITTING
002		537002800	PIEZOELECTRIC IGNITION M18 WITH NUT
002		533030500	NOZZLE §90 CH12X14 G30/CE
002		533015100	NOZZLE §80 CH12*14 F-FP/CP6
002		533056600	NOZZLE §135 CH12*30 M-BM4
002		533046200	NOZZLE §150 CH12X30 L-BR TP
002		533046100	NOZZLE §140 CH12X30 MH-BR

Page	Pos	Code	Description
002		533020800	NOZZLE 0160-FLUSS. (25
002		533020300	NOZZLE 0160 (NATURAL GAS) 1-2 (41
003		533010800	TUBE NUT D.10 M16*1,5
003		533155600	PERNO PER SENSORE ACQUA
003		536039100	GUIDA PER SENSORE ACQUA
003		536039000	GUARNIZ.O-RING 12,42X1,78 SILIC.
003		536039200	DISTANZIALE PER SENSORE ACQUA
003		533039300	BICONE §10
003		533159400	RACC.UN.2 U.ELETTROV.ACQUA CP
003		533144500	FITTING FOR WATER INPUT 3/4G
003		531037500	RACCORD CA.H2O 1/2G CAN.D10
003		533144900	MALE FITTING WATER INLET M16X1,5
003		533048700	NUT 1/2G ZN
003		533048800	GASKET §30*§21*2 FIBRE
003		533147000	BICONE FITTING 3/4G ZN
003		533009500	NIPPLE FOR BICONE 10S
003		533024400	HEXAGONAL NUT 1/2G TUBE D.10
003		537062900	ELETTROV.A.3/4GM-2Ø10JG 230V RPV
003		537063800	COIL ELECTROV.G.1/2GF 230V
003		533065700	FITTING FOR WATER INPUT 1/2G
003		533148100	RACC.A GOM.90° 1/2G F.M16X1,5M. (S
003		537063000	ELETTROV.G.1/2GF-1/2GF 230V
003		539010900	ADHESIVE LABEL FOR DRAIN COCK
003		533136001	SCREW TAP WATER LOAD FOR CP S70/90
003		539012000	ADHESIVE LABEL FOR DRAIN COCK USA
003		539018800	BLANK INDEX FOR KNOB
003		539063600	ADHESIVE DISK 72 FOR DRAIN COCK
003		539063700	ADHESIVE DISK 72 FOR DRAIN COCK USA
003		536034700	KNOB §77 4P. §08*6,5 F§30
003		539054200	STAMP Ø20,5 CR."L" LOTUS R.
003		531037601	TAP FOR WATER 90°DX CP
003		533136000	SCREW TAP WATER LOAD FOR CP S70/90
003		531037600	TAP FOR WATER LOADING 1/2"GF CP 90