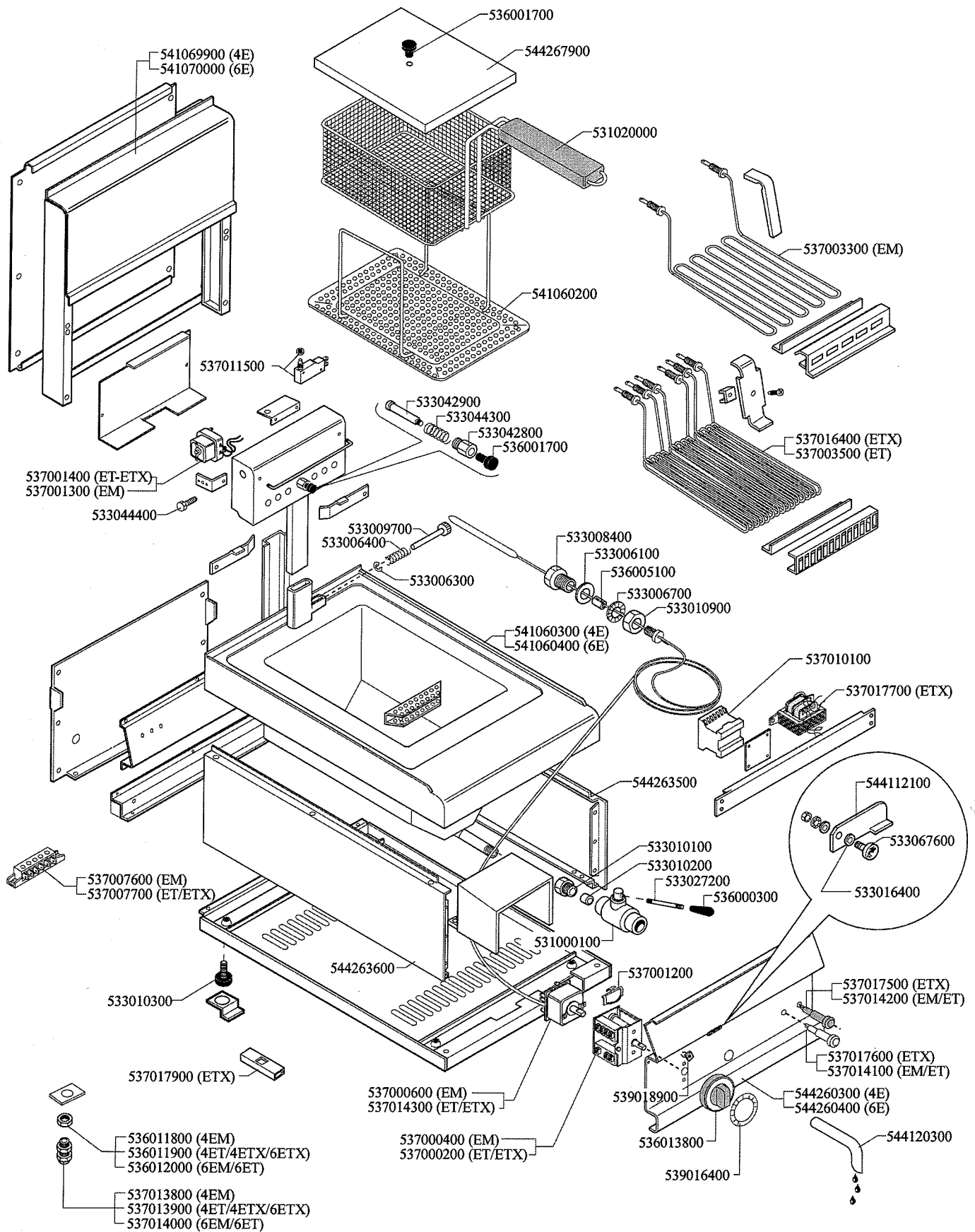


FQ-4EM FQ-4ET FQ-6EM FQ-6ET



Page	Pos	Code	Description
001		541069900	NEUTRAL SPACER 4
001		537011500	MICRO-SWITCH 16A
001		536001700	GRIP D.25*19*M6
001		544267900	TANK LID FQ-E 65
001		531020000	FRYER BASKET 200X270X100H
001		541060200	TANK FILTER FQ-4/6E
001		533042900	LOCKING PIN FQ-E
001		533044300	COIL SPRING §INT. 10,7*27
001		533042800	GUIDE BUSHING FOR LOCKING PIN
001		533009700	LOCKING PIN D.5*70
001		533006400	COIL SPRING D.5,5*30
001		533006300	RETAINING RING D.4
001		533008400	LOCK NUT M14*1-M9*1
001		533006100	GASKET D.24
001		536005100	GRAPHITE §07,4 GASKET
001		533006700	NOTCHED WASHER D.14
001		533010900	NUT M14*1 H.4
001		541060300	UPPER PLATE FQ-4E
001		544263500	RIGHT SIDE S.65
001		537003300	HEATING EL. W3000 V230 FOR FRYER
001		537010100	REMOTE CONTROL SWITCH 20A 230V
001		544112100	COCK FIXING BRACKET FG-10
001		533067600	PIN FOR GRADUATED COCK BUSHING
001		533010100	3/4 D. 18 PIPE UNION
001		533010200	BICONE 18S
001		533027200	HANDLE FOR DRAIN COCK 3/4"G FG
001		536000300	FIXED GRIP D.15*25*M6
001		533016400	COCK BUSHING
001		537014200	GREEN WARNING LIGHT 250V
001		537001200	FIXING BRACKET FOR THERMOSTAT/COMM.
001		537014100	WHITE WARNING LIGHT 250V
001		544260300	CONTROL PANEL FQ-4E
001		544120300	DRAIN PIPE 22 FOR COCK 3/4"G
001		539018900	INDEX FOR KNOB
001		536013800	KNOB D.70 BLACK 6*5 WITH SPRING
001		539016400	ADHESIVE GRADUATED DISC FOR KNOB
001		537000600	THERMOSTAT 90-180°C SINGLEPHASE
001		537000400	COMMUTATOR 1POS.SINGLEPHASE S49 16A
001		536011800	HEXAGONAL LOCK NUT PG-13,5
001		537013800	CABLE SECURING CLAMP PG-13,5
001		531000100	DRAIN COCK 3/4"
001		544263600	LEFT SIDE S.65
001		533010300	ADJUSTABLE FOOT M10*20 D.23
001		537007600	TERMINAL BLOCK SINGLEPHASE 40A
001		537001300	SAFETY THERMOST.235°C SINGLEPH+NUT
001		533044400	THREADED CAP FOR SEC.THERMOSTAT FQE