



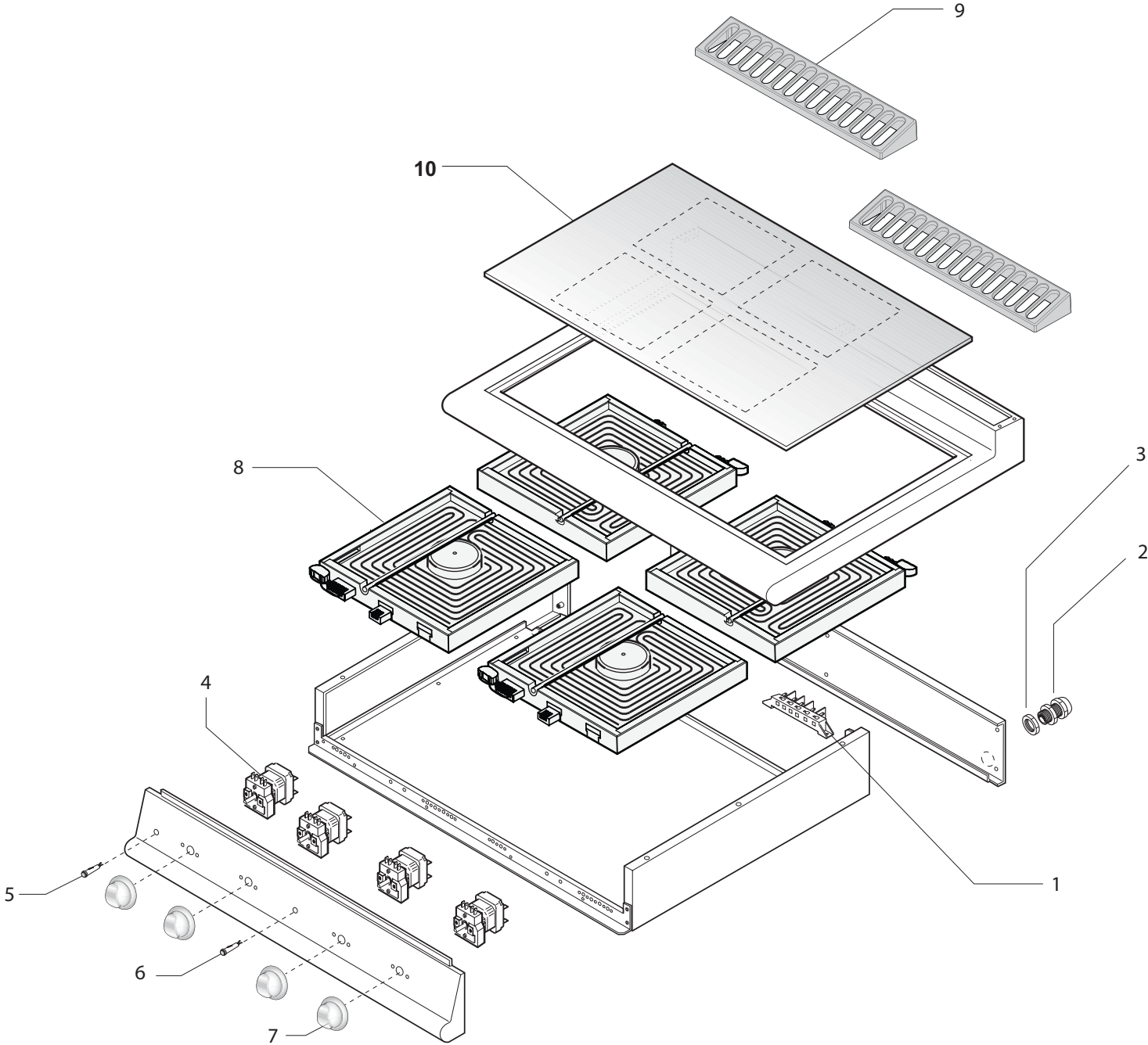
**Thermische Geräte Serie 900
Ceranherd**

Artikel-Nr. 141016 (9NPCF/VCE800)

Explosionszeichnung / Ersatzteile

Bitte bei Ersatzteilbestellung immer Artikelnummer und Seriennummer mit angeben!

90NPC/VCE800

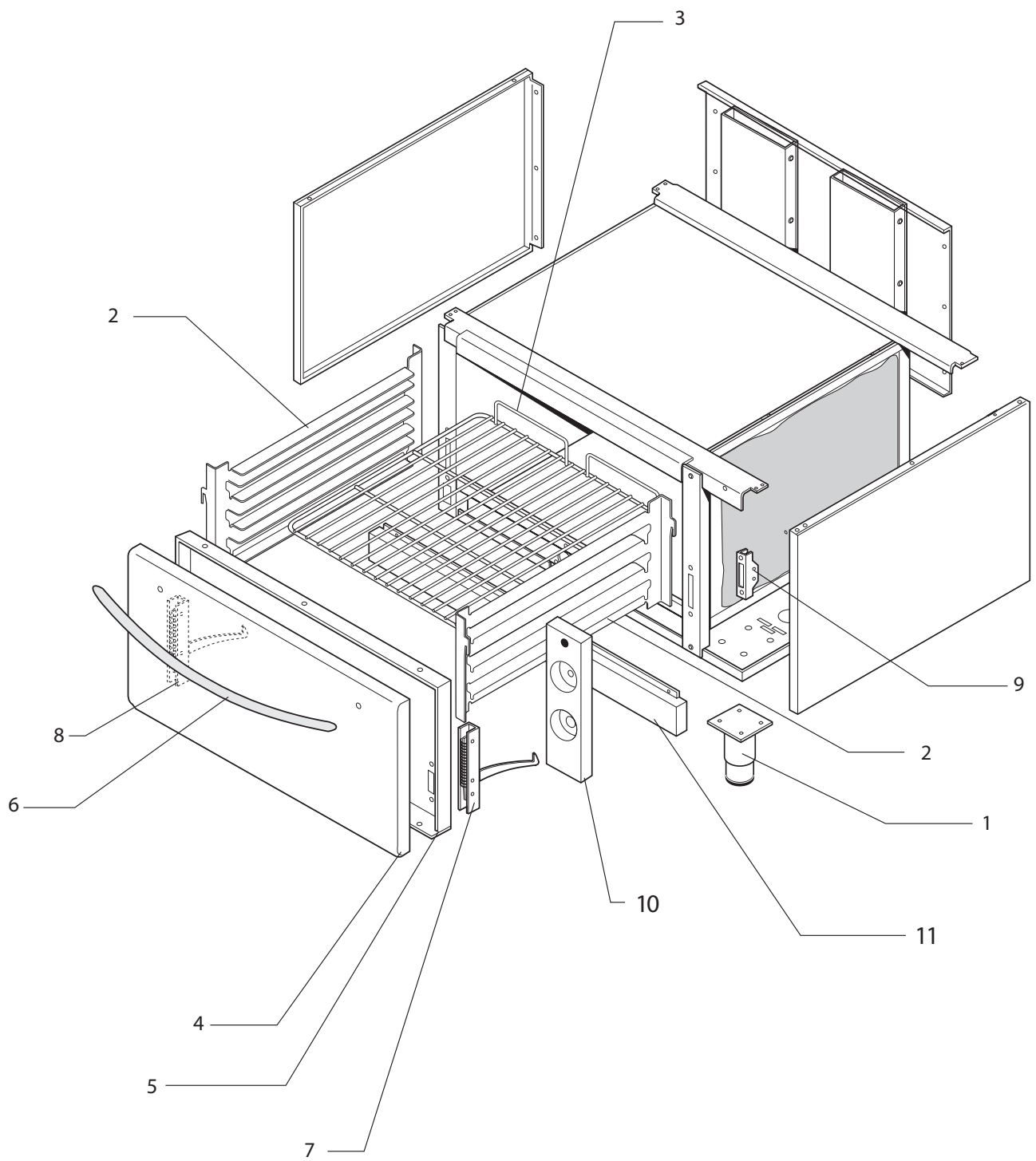


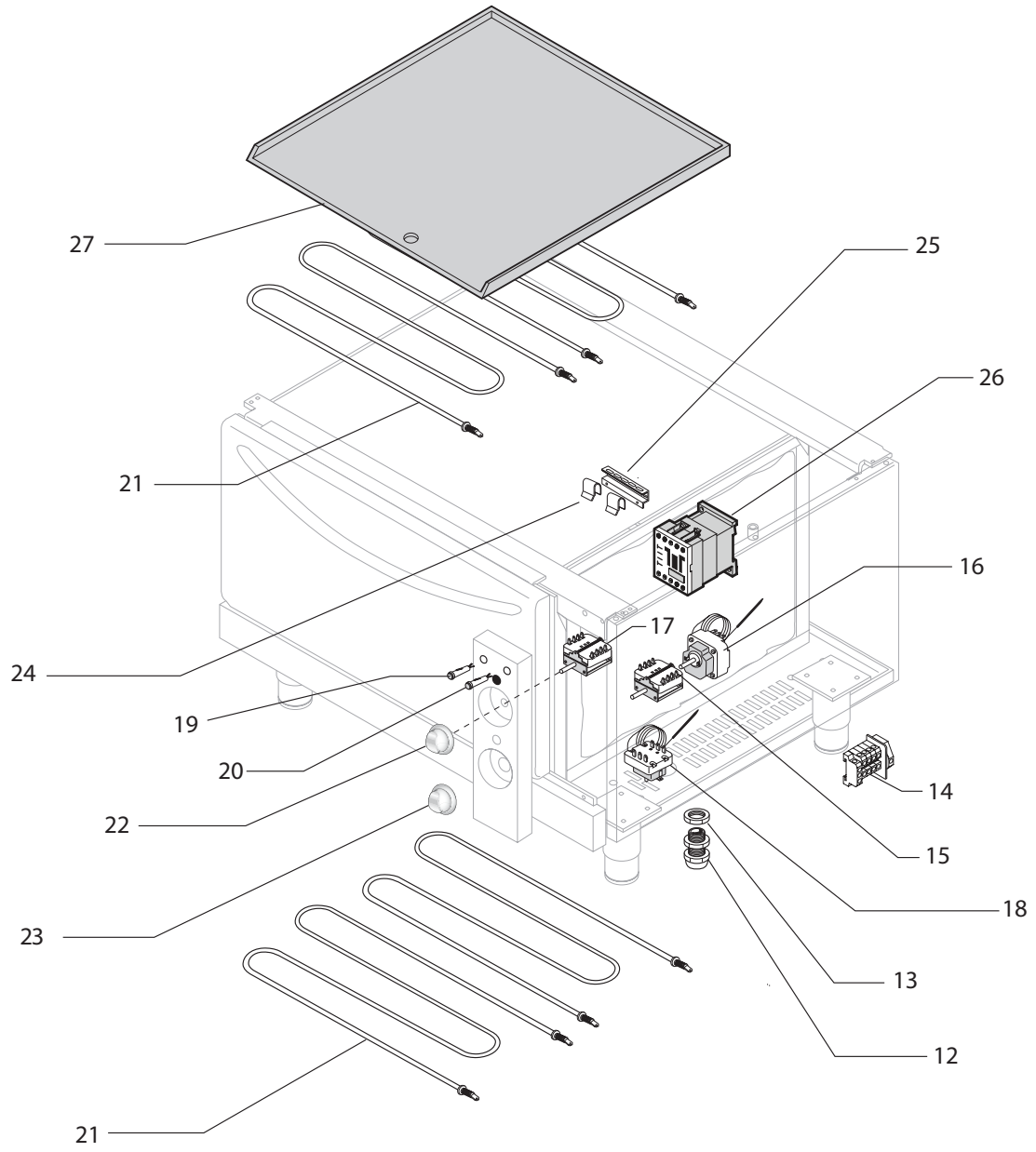
Series 900
Ceramic Glass Range 90NPC/VCE800

Table_A

POS.	CODE	PIECES	DESCRIPTION	DATA	C
1	CR0588170	1	TERMINAL BOARD		
2	BN6A025550	1	CABLE RETAINER		
3	MA10371145800	1	LOCK NUT		
4	CR0688650	4	ENERGY REGULATOR		C
5	CR0587500	1	SIGNAL LAMP ORANGE		C
6	CR0682520	1	SIGNAL LAMP RED		C
7	CR0901970	4	KNOB		C
8	CR0688660	4	GLASS-CERAMIC PLATE		C
9	CR0901240	2	EXHAUST GRID		
10	CR0688620	1	CERAMICGLASS		C
11	CR0411400	1	SILICON FOR CERAMIC GLASS		

C >>> Recommended exchange





Series 900

Electric Oven

Table_A

POS.	CODE	PIECES	DESCRIPTION	DATA	C
1	MA6086113	4	FOOT ASSEMBLY		
2	BN821200100	2	GRID SUPPORT		
3	MA2306800	1	GRID		
4	BN821390011	1	OVEN DOOR		
5	BN821510011	1	LATER SPACE		
6	BN86430030	1	OVENS' HANDLE		
7	DN6A035910	1	R.H. OVEN HINGE		
8	BN6A035920	1	L.H. OVEN HINGE		
9	MA1304500	2	ROLL HOLDER FOR HINGE		
10	BN2547720	1	VERTICAL PANEL		
11	BN821740030	1	LOW PANEL		
12	BN6A025550	1	CABLE RETAINER		
13	MA1037114500	1	LOCK NUT		
14	BN6A035030	1	CABURTO THERMINAL BOARD		
15	BN6A046001	1	SWITCH		C
16	BN826630123	1	THREEFASE THORMOSTATE		C
17	MA1309000	1	EGO SWITCH		C
18	BN826630130	1	SAFETY THERMOSTATE		C
19	CR0903610	1	GREEN SIGNAL LAMP 230V		C
20	CR0587500	1	ORANGE SIGNAL LAMP 230V		C
21	BN826620041	4	OVEN HEATING ELEMENT		C
22	CR0902800	1	THORMOSTATE REGULATOR FOR KNOB		C
23	CR0902810	1	ENERGY REGULATOR FOR KNOB		C
24	BN821550010	2	CLIP FIXING BULB		
25	BN2541120	1	BULB PROTECTION		
26	BN6A047031	1	MICROSWITCH 20A		C
27	BN822420010	1	OVEN BOTTOM		

C >>> Recommended exchange