



## Kühlung Büffet-Element

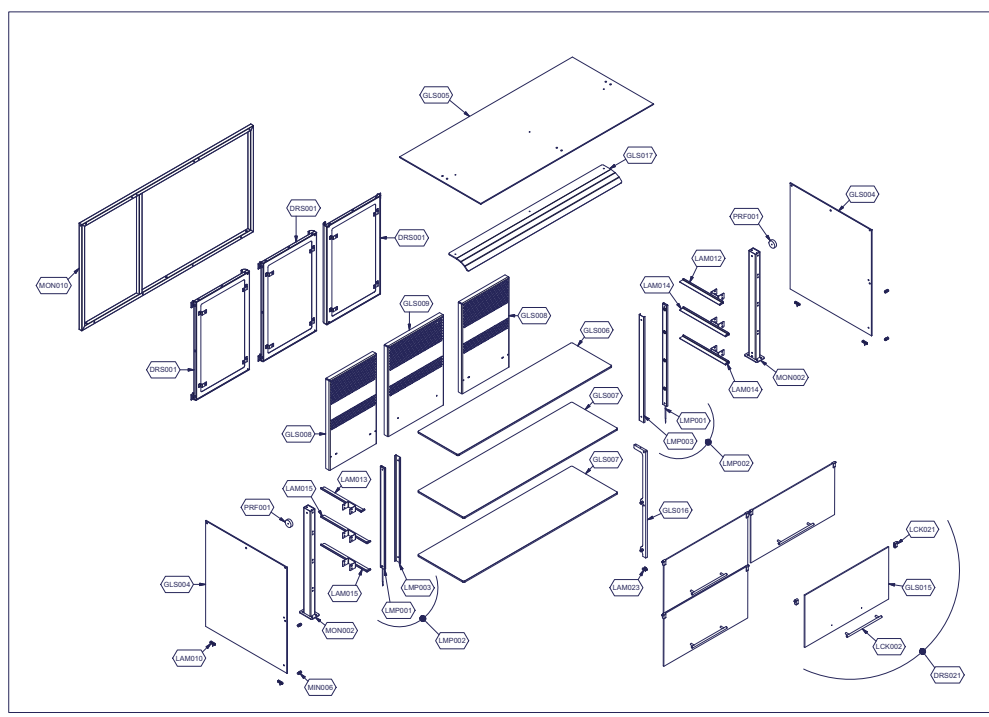
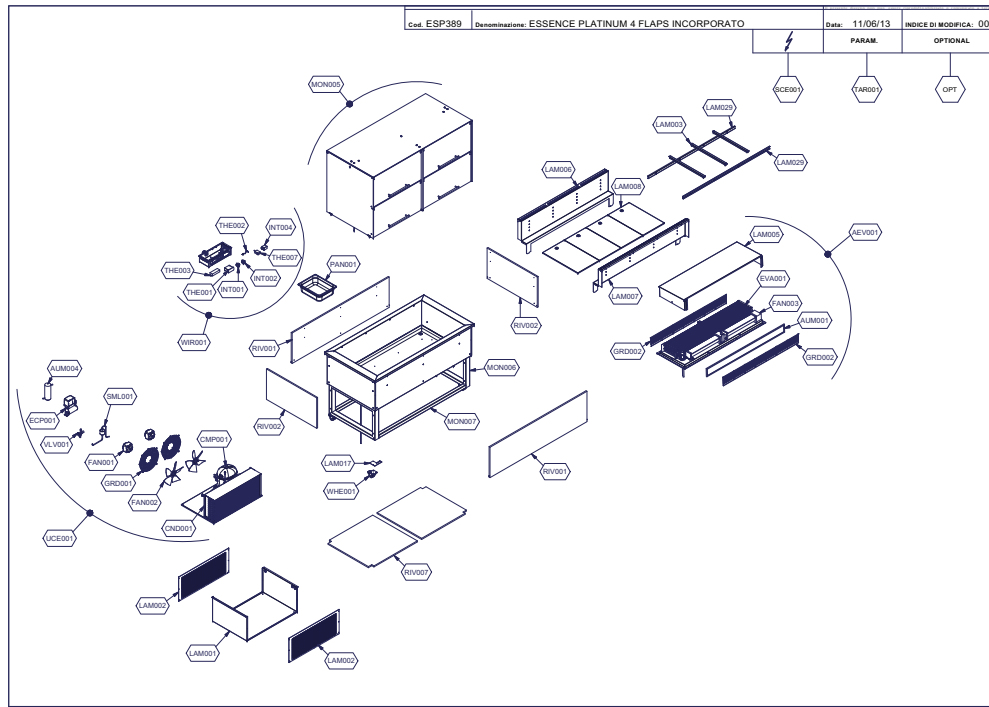
Artikel-Nr. 651128 (9BESS4FIVWA93 / ES-PLAT4W+RIPINFW4 mit  
Entnahmeklappen)

---

### Explosionszeichnung / Ersatzteile

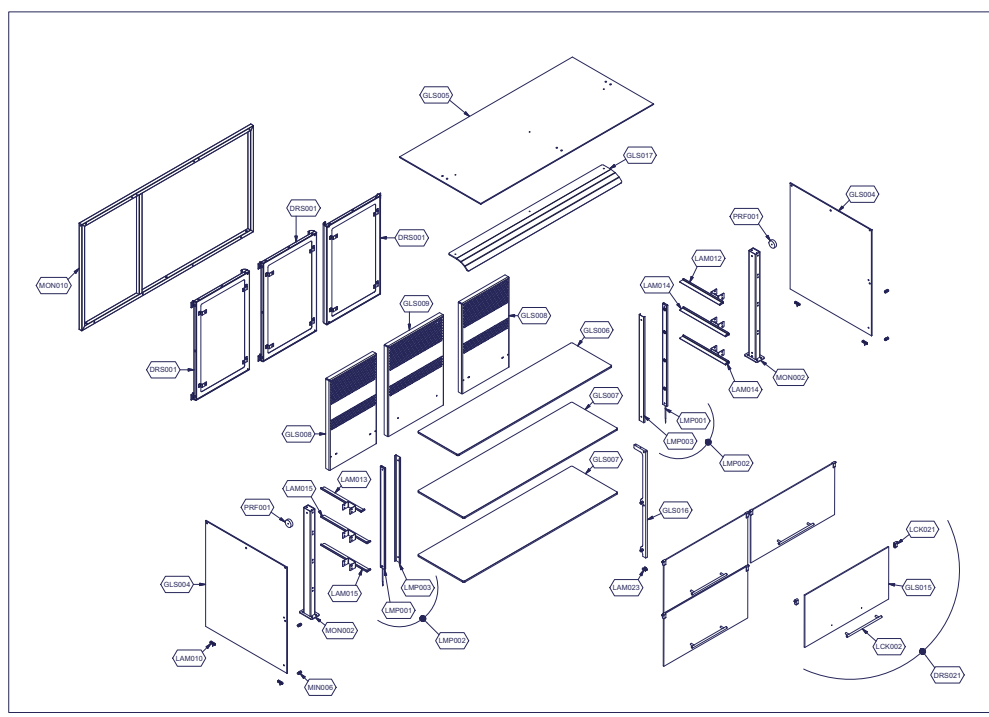
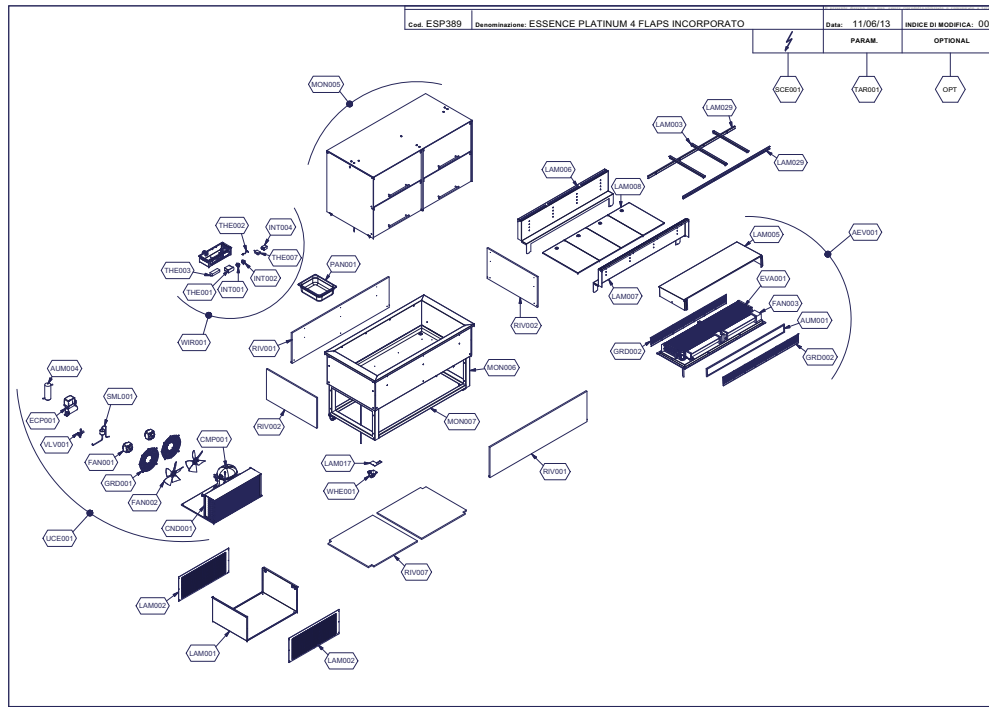
---

Bitte bei Ersatzteilbestellung immer Artikelnummer und Seriennummer  
mit angeben!



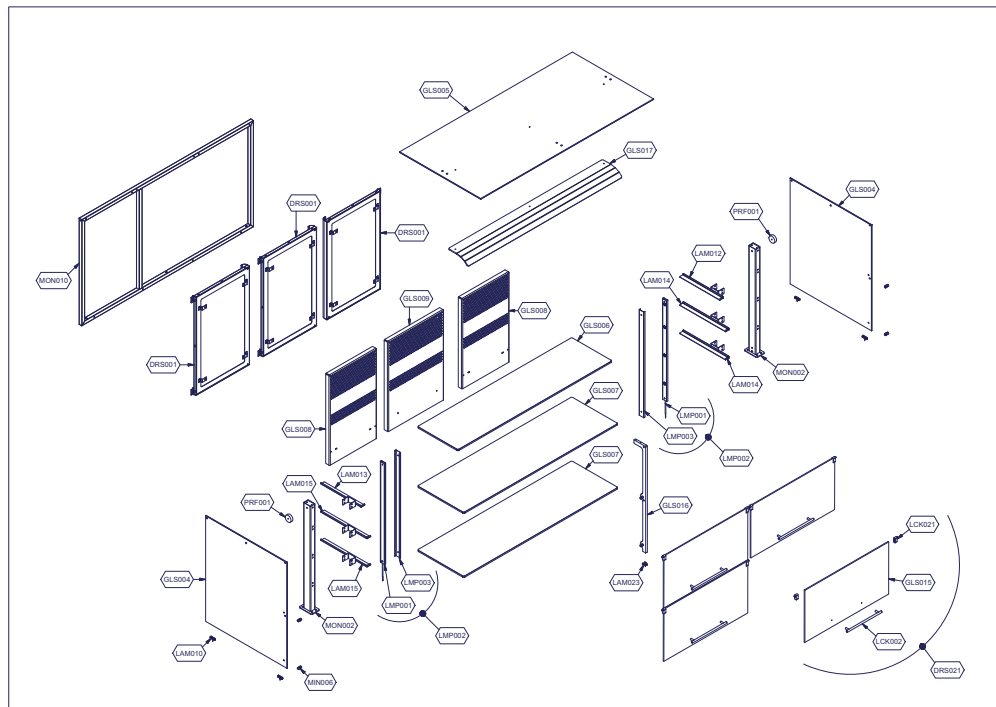
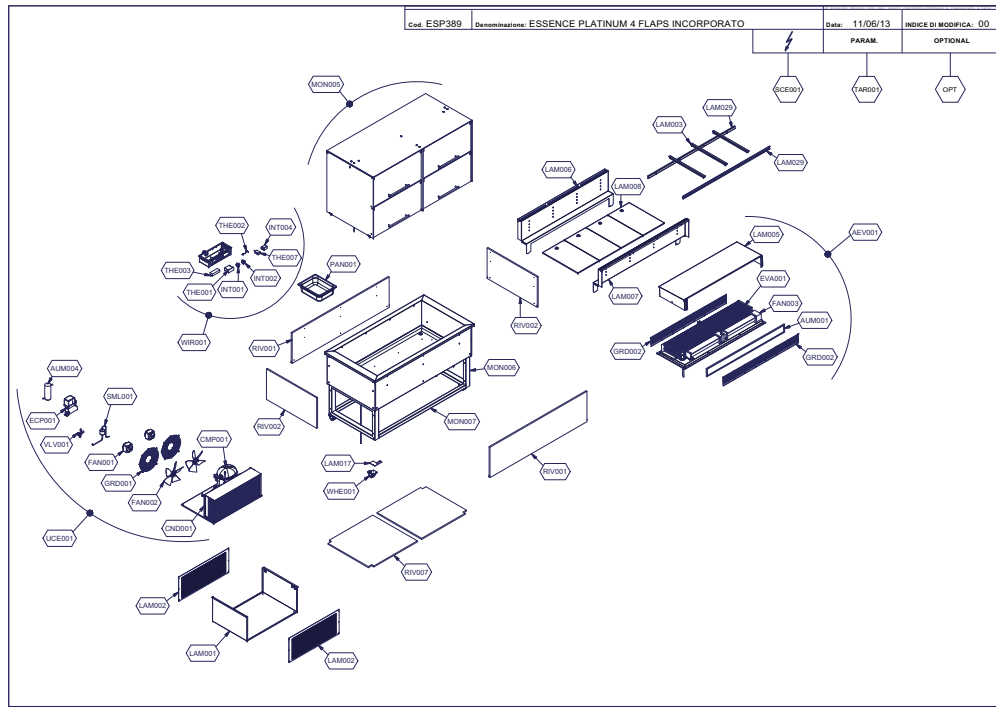
| Code           | Description                    | Notes |
|----------------|--------------------------------|-------|
| 9BESS4FIVWA93E | EXPLODED VIEW 1                |       |
| 9BESS4FIVWA93E | EXPLODED VIEW 2                |       |
| 73688954       | FULL EVAPORATOR KIT            | 5     |
| 74837184       | FAN PROTECTION FILTER          | 2     |
| 74700708       | LIQUID RECEIVER                | 2     |
| 74865634       | COMPRESSOR                     | 4     |
| 74837119       | CONDENSER                      | 5     |
| 73669674       | DOOR KIT                       |       |
| 73669444       | DOOR                           |       |
| 74867018       | COMPRESSOR ELECTRICAL PARTS    | 2     |
| 74839104       | EVAPORATOR                     | 5     |
| 74848160       | FAN                            | 2     |
| 74848118       | FAN BLADE                      | 2     |
| 74845036       | TANGENTIAL FAN                 | 2     |
| 74776568       | SIDE GLASS                     |       |
| 74776534       | CURVED TOP GLASS               |       |
| 74776644       | GLASS TOP MIDDLE SHELF         |       |
| 74776634       | BOTTOM GLASS MIDDLE SHELF      |       |
| 74776664       | AIR-CONVEYOR PER DOOR LATERALE |       |
| 74776665       | CENTRAL DOOR AIR-CONVEYOR      |       |
| 74776567       | PLEXIGLASS DOOR                |       |
| 74776565       | PLEXIGLASS STRUCTURE           |       |
| 74776535       | DEFLETTORE                     |       |
| 74845124       | FAN GRID                       |       |
| 74847194       | EVAPORATOR GRID                |       |
| 74742008       | MAIN ON/OFF SWITCH             | 2     |
| 74742017       | LIGHT ON/OFF SWITCH            | 2     |
| 75956088       | POWER RELAY                    | 2     |
| 72539281       | CONDENSING UNIT SUPPORT        |       |
| 72539288       | CONDENSING UNIT GRID           |       |
| 72556044       | PAN SUPPORT                    |       |
| 72538764       | EVAPORATOR COVERING            |       |
| 72538684       | EVAPORATOR FRONT AIR-CONVEYOR  |       |
| 72538674       | EVAPORATOR REAR AIR-CONVEYOR   |       |

**9BESS4FIVWA93-ESSENCE PLATINUM 4 FLAPS INCORPORATO**



| Code        | Description                       | Notes |
|-------------|-----------------------------------|-------|
| 74707262    | WELL TRAY                         |       |
| 72557114    | GLASS SUPPORT                     |       |
| 72538730    | TOP RIGHT SUPPORT                 |       |
| 72538732    | TOP LEFT SUPPORT                  |       |
| 72538734    | BOTTOM RIGHT SUPPORT              |       |
| 72538736    | BOTTOM LEFT SUPPORT               |       |
| 72539674    | FRAME FIXING KIT                  |       |
| 72538800    | S/S SIDE SUPPORT                  |       |
| 72539484    | PANS SUPPORTS                     |       |
| 74701602    | HANDLE                            | 3     |
| 74702300    | HINGE                             | 5     |
| 72539020    | LED LIGHTING                      |       |
| 72539028    | LAMP WITH PROTECTION              |       |
| 72539026    | LED LIGHTING PROTECTION           |       |
| 72540437    | SUPPORT                           |       |
| 72538990    | SUPERSTRUCTURE SIDE SUPPORT       |       |
| 73669434    | GLASS SUPERSTRUCTURE W/O FLAPS    |       |
| 72539682    | SIDE FRAME                        |       |
| 72539694    | FRONT BOTTOM FRAME                |       |
| 72538954    | DOOR SUPPORT FRAME                |       |
| 74707120    | PAN                               | 3     |
| 72538992    | SPACER                            |       |
| 72546816    | FOOD ISLAND TOP LONGER SIDE PANEL |       |
| 72546796    | FOOD ISLAND TOP SIDE PANEL        |       |
| 72546896    | BOTTOM SHELF                      |       |
| SC850       | ELECTRICAL WIRING                 | 1     |
| 73670196    | DRIER FILTER                      | 2     |
| RIF.TAR.B08 | CONTROLLER PRESETTING SERVICE     | 1     |
| 74700881    | UNSETTED ELECTRONIC CONTROLLER    | 1     |
| 74700916    | PROBE                             | 1     |
| 74700892    | LED POWER PACK                    | 1     |
| 74700954    | SPEED FAN CONTROLLER              | 1     |
| 74861586    | FULL CONDENSING UNIT              |       |
| 74877107    | VALVE                             | 4     |

**9BESS4FIVWA93-ESSENCE PLATINUM 4 FLAPS INCORPORATO**



| <b>Code</b> | <b>Description</b> | <b>Notes</b> |
|-------------|--------------------|--------------|
| 74708007    | CASTOR/FEET        |              |
| 73669908    | POWER BOX          |              |