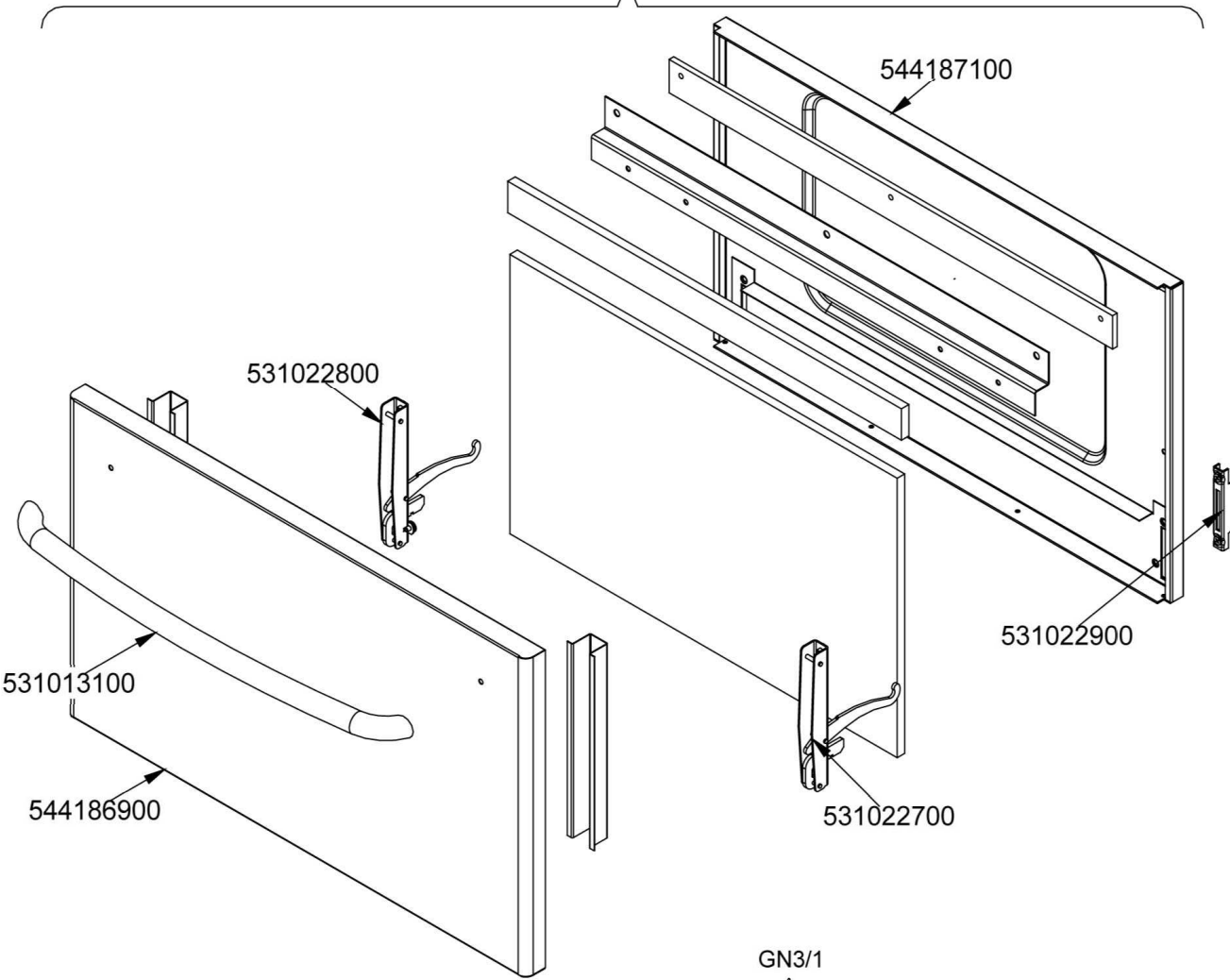
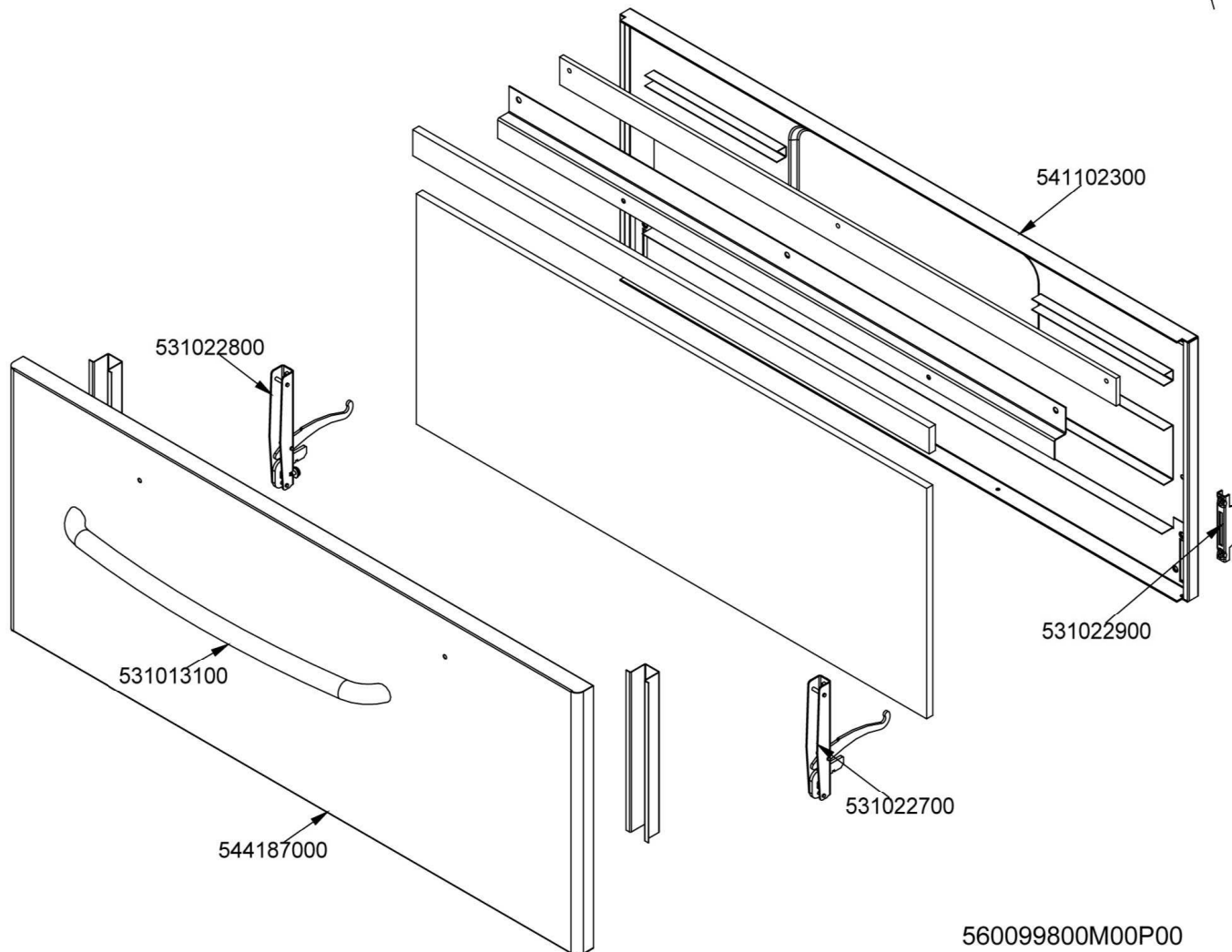


GN2/1

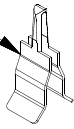


GN3/1



560099800M00P00

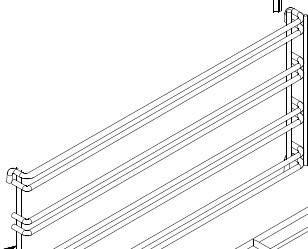
533033800



536010801

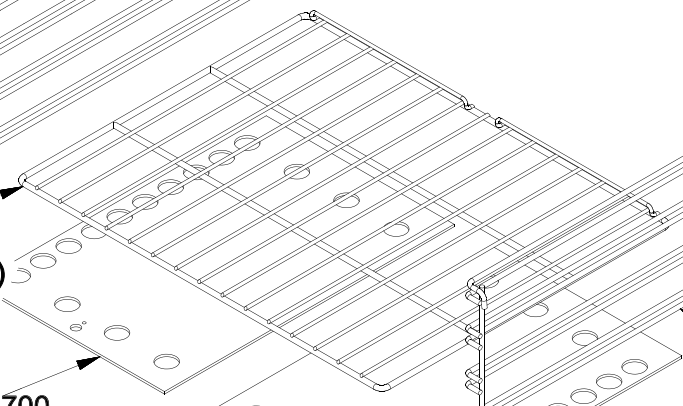


531030500
531062300(USA-AUS)



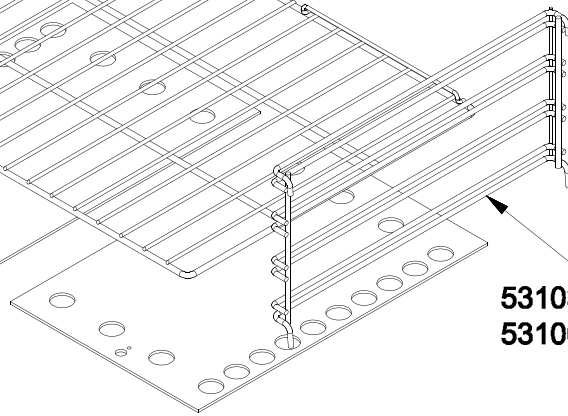
531030200
531062000(USA-AUS)

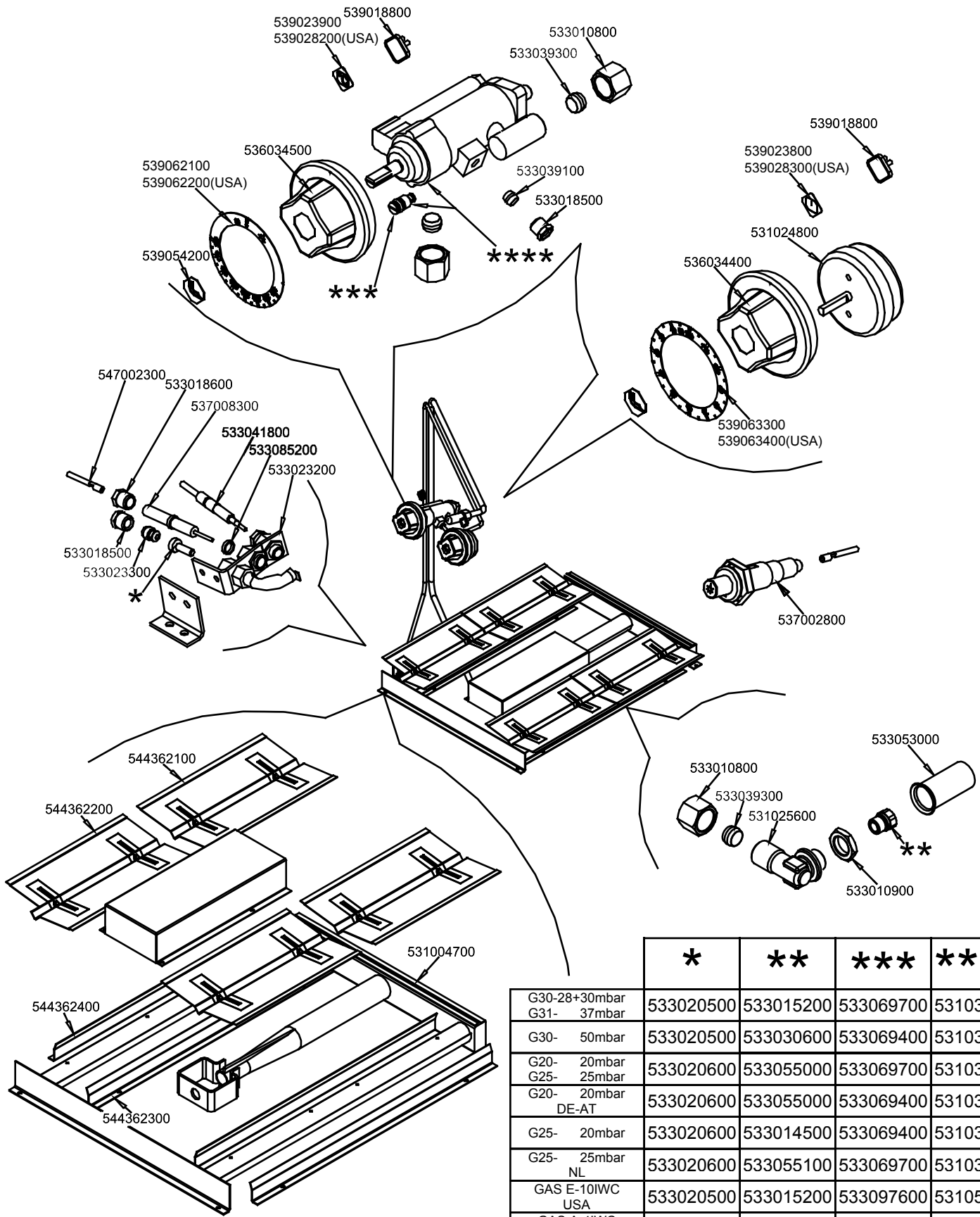
544171700



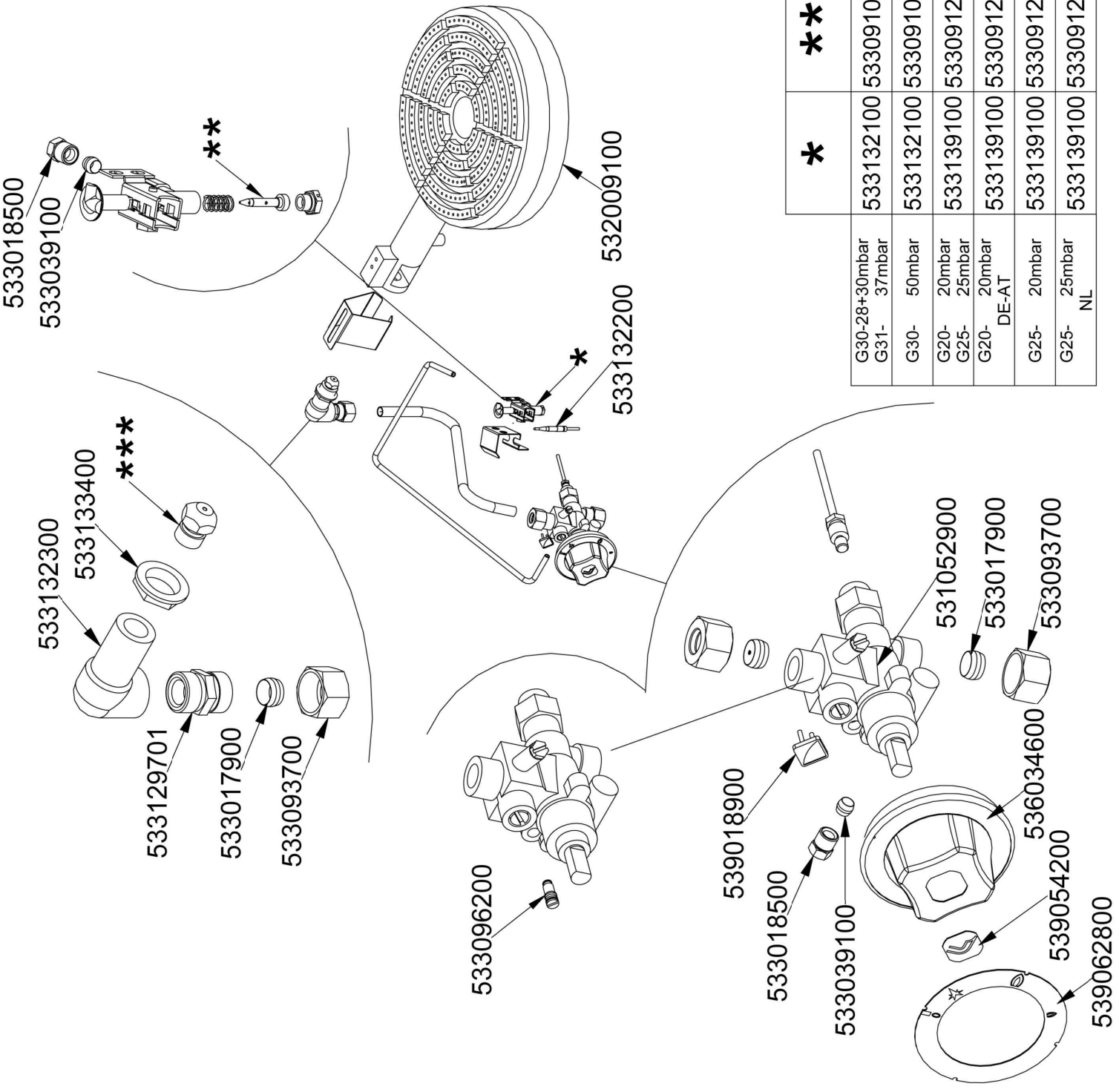
531030400
531062200(USA-AUS)

560012300M02P00





	*	**	***	****
G30-28+30mbar G31- 37mbar	533020500	533015200	533069700	531031600
G30- 50mbar	533020500	533030600	533069400	531033800
G20- 20mbar G25- 25mbar	533020600	533055000	533069700	531031600
G20- 20mbar DE-AT	533020600	533055000	533069400	531033800
G25- 20mbar	533020600	533014500	533069400	531033800
G25- 25mbar NL	533020600	533055100	533069700	531031600
GAS E-10IWC USA	533020500	533015200	533097600	531052500
GAS A-4IWC USA	533020600	533056300	533097600	531052500
G31- 2.49kPa AUS	533020500	533015200	533069700	531031600
G20- 1kPa AUS	533020700	533056300	533069700	531031600



	*	**	***
G30-28+30mbar G31- 37mbar	533132100	533091000	533141200
G30- 50mbar	533132100	533091000	533141100
G20- 20mbar G25- 25mbar	533139100	533091200	533141400
G20- 20mbar DE-AT	533139100	533091200	533141400
G25- 20mbar	533139100	533091200	533141600
G25- 25mbar NL	533139100	533091200	533141500

Page	Pos	Code	Description
001		532004100	FLUE GRID L=370 90LINE (RAF
001		531063400	1 BURNER GRID FOR PA-700
001		541134400	LOW SPACER 78 1 GRID
001		544670400	BURNER DRIP PAN 2/1 PA-78G
001		544670100	UPPER PLATE PA-78G
001		544173300	LEFT SIDE PANEL RANGE S.70
001		541196300	CONTROL PANEL S70 PAF-78G
001		536005200	INOX LEG 2" 120-180 M10
001		544173200	RIGHT SIDE PANEL RANGE S.70
002		544187100	OVEN INNER DOOR GN 2/1 70/90LINE
002		531022800	LEFT OVEN DOOR HINGE S.70
002		531013100	OVEN DOOR HANDLE OF 70/90-LINE
002		544186900	OVEN DOOR GN 2/1 70/90LINES
002		531022700	RIGHT OVEN DOOR HINGE 70LINE
002		531022900	HINGE DOOR WHEEL HOLDER S.70
002		541102300	GAS OVEN INNER DOOR GN 3/1 S.70
002		544187000	OVEN DOOR GN 3/1 S.70
003		533033800	LOCK SPRING FOR BULB §6
003		536010801	OVEN GASKET GN 2/1 (1308
003		531030500	LHD SUPPORT GRID FOR OVEN OF 70LINE
003		531062300	LHD SUPPORT GRID FOR OVEN OF 70LINE
003		531030200	OVEN GRID GN 2/1 FOR 70 LINE
003		531062000	OVEN GRID GN 2/1 FOR 70 LINE
003		544171700	BOTTOM FOR GAS OVEN GN2/1 700LINE
003		531030400	RHD SUPPORT GRID FOR OVEN OF 70LINE
003		531062200	RHD SUPPORT GRID FOR OVEN OF 70LINE
004		539018800	BLANK INDEX FOR KNOB
004		539023900	SIGN PLATE FOR OVEN TEMPERATURE
004		539028200	SIGN PLATE FOR OVEN TEMPERATURE
004		533010800	TUBE NUT D.10 M16*1,5
004		533039300	BICONE §10
004		539023800	LABEL FOR OVEN TIMER
004		539028300	SIGN PLATE FOR OVEN TIMER
004		531024800	TIMER 120'- 360°
004		536034400	KNOB §77 4P. §06*4,6 C/M
004		533039100	BICONE §6
004		533018500	FITTING FOR BICONE D.6 M10*1
004		536034500	KNOB §77 4P. §08*6,5
004		539062100	ADESIVE DISK FOR GAS OVEN S70
004		539062200	ADESIVE DISK FOR GAS OVEN S70 USA
004		539054200	STAMP O20,5 CR."L" LOTUS R.
004		547002300	HIGH-VOLTAGE CABLE §2 L=1900
004		533018600	PLUG FITTING
004		537008300	ROUND PLUG §2,4- LONG ELECTRODE
004		533041800	THERMOCOUPLE 1500 M9*1
004		533085200	SPACER FOR PILOT PLUG
004		533023200	TARGET PILOT + NIPPLE TC BRAC.90°
004		539063300	ADESIVE DISK FOR TYMER GREY
004		539063400	ADESIVE DISK FOR TYMER GREY USA
004		533023300	BICONE §6 ("TARGET" PILOT
004		537002800	PIEZOELECTRIC IGNITION M18 WITH NUT

Page	Pos	Code	Description
004		533053000	AIR ADJUSTMENT BUSHING §18
004		531025600	ELBOW 90° NOZZLE-HOLDER §10 PIPE
004		533010900	NUT M14*1 H.4
004		544362100	UPPER BURNER DEFLECTOR FOR OVEN 70
004		544362200	UPPER PILOT DEFLECTOR FOR OVEN 70
004		531004700	BURNER FOR OVEN GN 2/1 S.70
004		544362400	SIDE PILOT DEFLECTOR FOR OVEN 70
004		544362300	SIDE BURNER DEFLECTOR FOR OVEN 70
004		533020500	NOZZLE 0.140 §19
004		533020600	NOZZLE 0.140 §27
004		533020700	NOZZLE 0.140 §35
004		533015200	NOZZLE §145 CH12*14 F-FP/CP6
004		533030600	NOZZLE §125 CH12*14
004		533055000	NOZZLE §205 CH12*14 G25 CW4
004		533014500	NOZZLE §225 CH12*14 OVEN GN 2/1
004		533055100	NOZZLE §215 CH12*14 L-CW4
004		533056300	NOZZLE §240 CH12*14
004		533069700	BY PASS COCK §075 25ST
004		533069400	BY PASS COCK §065 25ST
004		533097600	BY PASS COCK §090 25ST
004		531031600	HORIZON.THERMOSTATIC TAP BY-PASS 75
004		531033800	HORIZON.THERMOSTATIC TAP BYPASS §65
004		531052500	GAS COCK 25ST BY PASS D090 HORIZ.P
005		533132300	
005		533018500	FITTING FOR BICONE D.6 M10*1
005		533133400	
005		533039100	BICONE §6
005		533129701	FITTING M20X1,5 PIPE Ø12 PA
005		533017900	BICONE D.12
005		533093700	HEXAGONAL NUT M20X1,5
005		533096200	
005		533132200	
005		532009100	BURNER PA-78G 11,5KW
005		539018900	INDEX FOR KNOB W/RED SIGN
005		539062800	RED STICKING DISK 72
005		539054200	STAMP Ø20,5 CR."L" LOTUS R.
005		536034600	KNOB §77 4P. §10*8
005		531052900	
005		533132100	PILOT 0100 2F
005		533139100	PILOT 0100 2F
005		533091000	NOZZLE 0.100 §20
005		533091200	PILOT NOZZLE 0100 Ø35 PIL.PC
005		533141200	NOZZLE CH16*21 §170
005		533141100	NOZZLE CH16*21 §150
005		533141400	NOZZLE CH16*21 §250
005		533141600	NOZZLE CH16*21 §270
005		533141500	NOZZLE CH16*21 §255