

WAREWASHER

ELECTROMECHANICAL SWITCHES
SIMPLE BODY VERSION

TYPE: 69U

Accessories

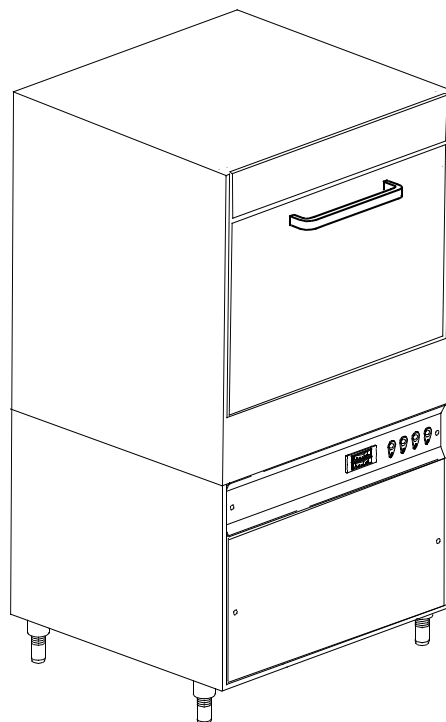
BOOSTER PUMP

DVGW

DETERGENT DISPENSER

DRAIN PUMP

Spare parts



S/N:

Valid from:..11/2002

Rev.: 0.0

1. Spare parts

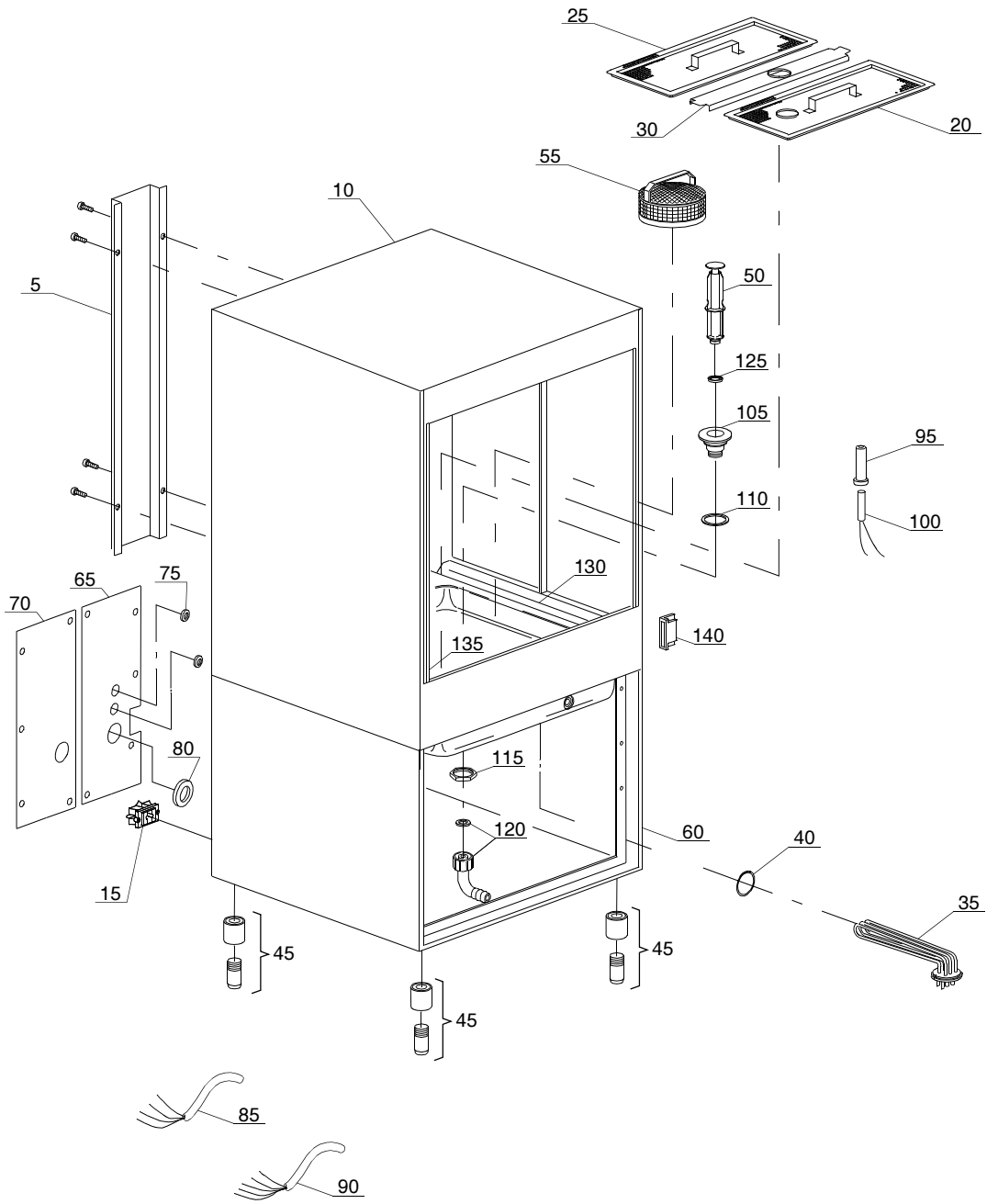
General body parts.....	7
Lockup system	9
Control panel	11
Control electric components.....	13
Solenoid valve group	15
Booster pump.....	17
DVGW	19
Shining product dosing device group .	21
Boiler group	23
Derivation group	25
Wash pump	27
Dosing device group	29
Drain pump group.....	31
Pressure switch group with air trap ...	33
Turret group with rotating arms	35

1.1 Voltage codes

Voltage code	Voltage
A	3/N/PE~400/230V 50Hz
B	~250V 16A 50Hz
C	3/N/PE~380/220V 50Hz
D	3/PE~200V 50-60Hz
F	2/PE 220-240V 50Hz
G	3/N/PE~415/240V 50Hz
H	3/PE~230V 50Hz
I	3/PE~220V 60Hz
J	3/PE~380 50Hz
K	3/PE~400V 50Hz
L	3/PE~415V 50Hz
M	3/PE~440V 60Hz
N	3/PE~460V 60Hz
O	3/PE~480V 60Hz
P	1/N/PE~220-240V 50Hz
R	2/PE~220-230V 60Hz
S	3/N/PE~400/230V 50Hz
T	3/PE~230V 60Hz

1.2 Product codes

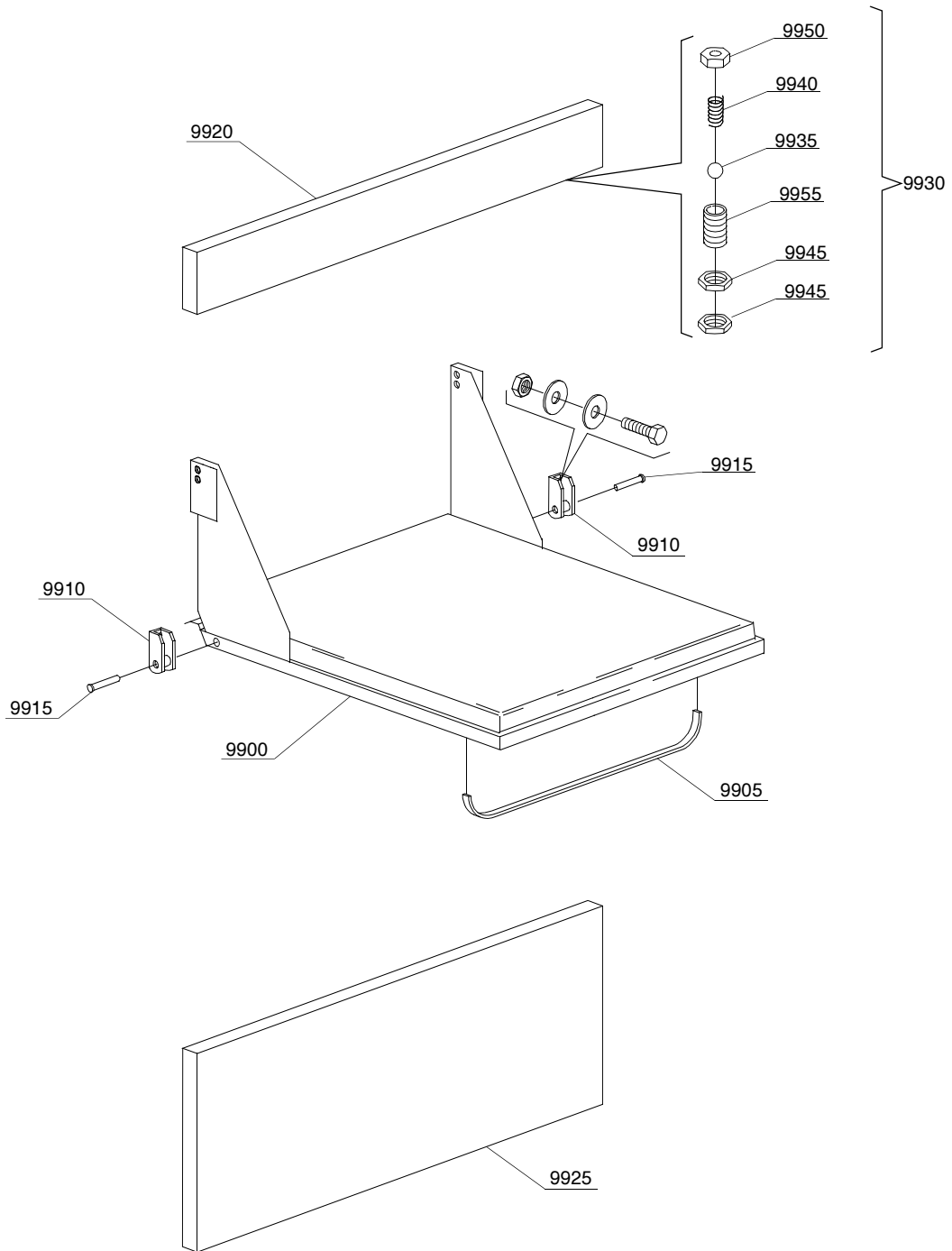
Product code	Full name
Model codes	
em	ELECTROMECHANICAL SWITCHES
mc	SIMPLE BODY VERSION
Type codes	
69U	69U
Accessory codes	
pap	BOOSTER PUMP
dvgw	DVGW
dde	DETERGENT DISPENSER
ps	DRAIN PUMP



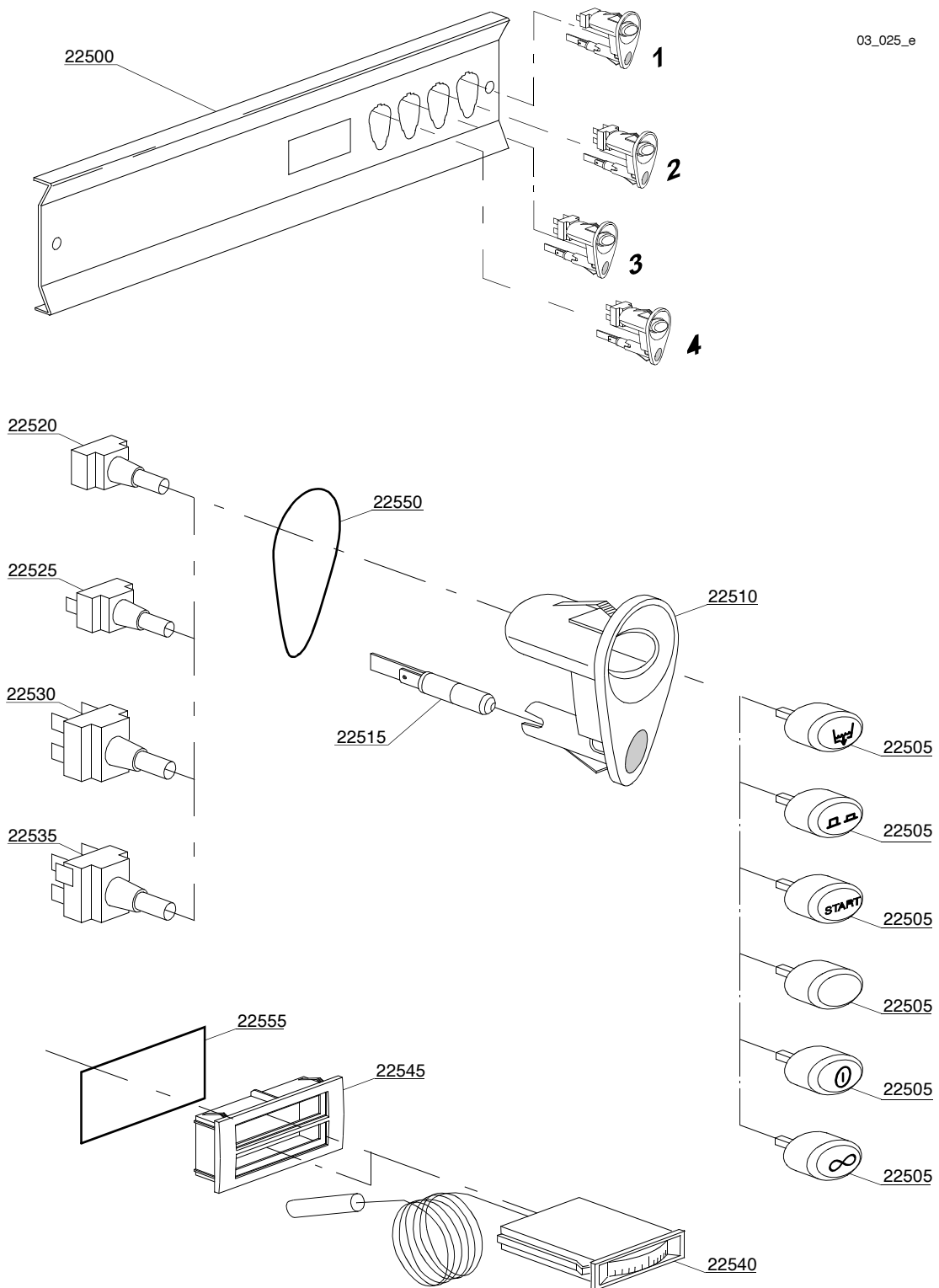
01_012_e

Spare parts

ID	P-code	Model	Type	Accessory	Voltage	Description
MODULE:General body parts						
5	21202		69U			Back panel
10	21200		69U			Body
15	15065/A		69U			Cable-fastener with screw
20	75625		69U			Half-filter with hole
25	75626		69U			Surface half-filter
30	75926		69U			Sleeper holder-filter
35	15047/A		69U			2,7KW heating element
40	13005		69U			OR 151 NBR gasket
45	15116		69U			Foot
50	500619		69U			Overflow pipe
55	15911		69U			Stainless steel filter
60	22204		69U			Base
65	22228		69U			Right back frame
70	22230		69U			Left back frame
75	13323		69U			Ø13mm fairlead
80	13324		69U			Ø46 mm fairlead
85	75359		69U			4x6 flame-retardant cable
90	80200		69U			5x4x3400 cable
95	22213		69U			Reed-holder
100	2000309		69U			Economizer reed
105	10200113		69U			Floor drain
110	10200173		69U			75x58x2 gasket
115	10200114		69U			Floor drain nut
120	15613		69U			Drain elbow
125	13021		69U			DEM 40 gasket
130	22209		69U			Right internal slide
135	22209/A		69U			Left internal slide
140	80232		69U			Reed magnet

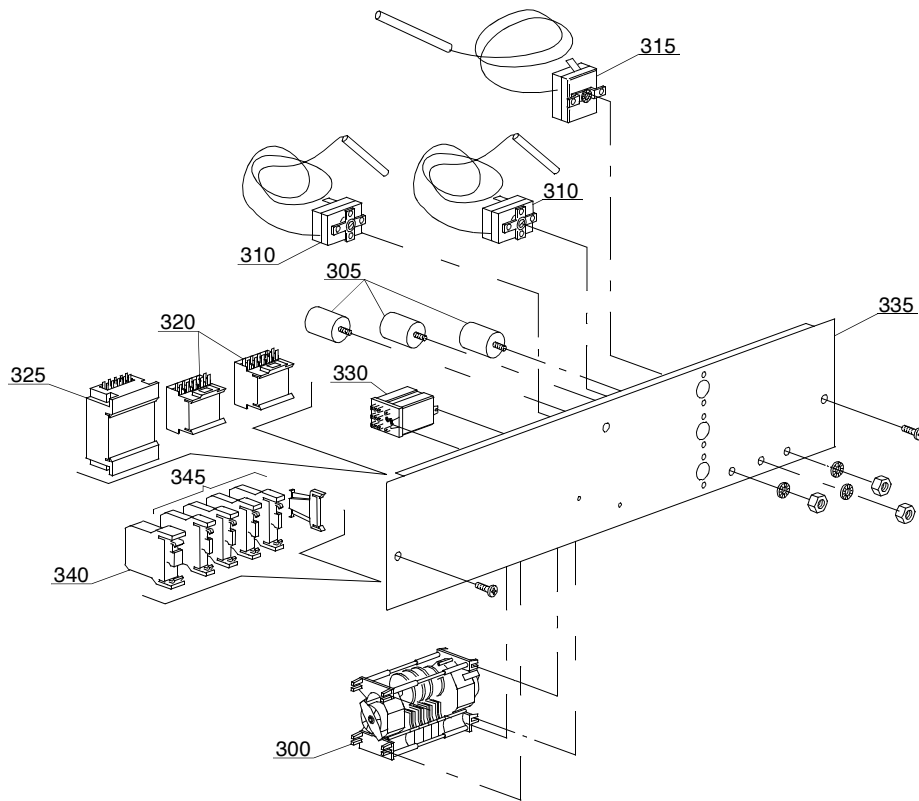


02_109_e



Spare parts

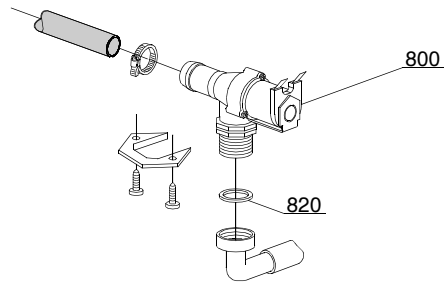
ID	P-code	Model	Type	Accessory	Voltage	Description
MODULE:Control panel						
22500	23234		69U			Star control panel
22505	89343		69U	dp		Drain pump key
22505	89342		69U			Time push selector switch key
22505	89341		69U			Start key
22505	89348		69U			Blind key
22505	89340		69U			ON-OFF key
22505	89346		69U	ws		Continuous cycle key
22510	89300		69U			Key support
22515	15826		69U			Pilot lamp
22520	15844		69U			Key support
22525	15813		69U			16A unipolar push button
22530	15812		69U			16A switch
22530	15800		69U			16A bipolar push button
22535	15811		69U			16A bipolar switch
22535	15811/A		69U			16A bipolar switch push button
22540	10500011		69U			Thermometer
22545	89306		69U			Double thermometer support
22550	89332		69U			OR gasket
22555	89331		69U			OR gasket



04_011_e

Spare parts

ID	P-code	Model	Type	Accessory	Voltage	Description
MODULE:Control electric components						
300	22011		69U		A	"120/240"" timer with thermostop"
305	15149		69U		A	Low noise filter
310	10707/1		69U		A	0-90°C thermostat
315	2000430		69U		A	Safety thermostat
320	15086		69U		A	Remote control switch 230V 50/60Hz 4C
325	10300050		69U		A	25A/12A remote control switch
330	16037		69U		A	16A bipolar relay
335	22210		69U		A	Electric component panel
340	10300401		69U		A	6/8mm ² yellow/green terminal
345	10300403		69U		A	6mm ² terminal

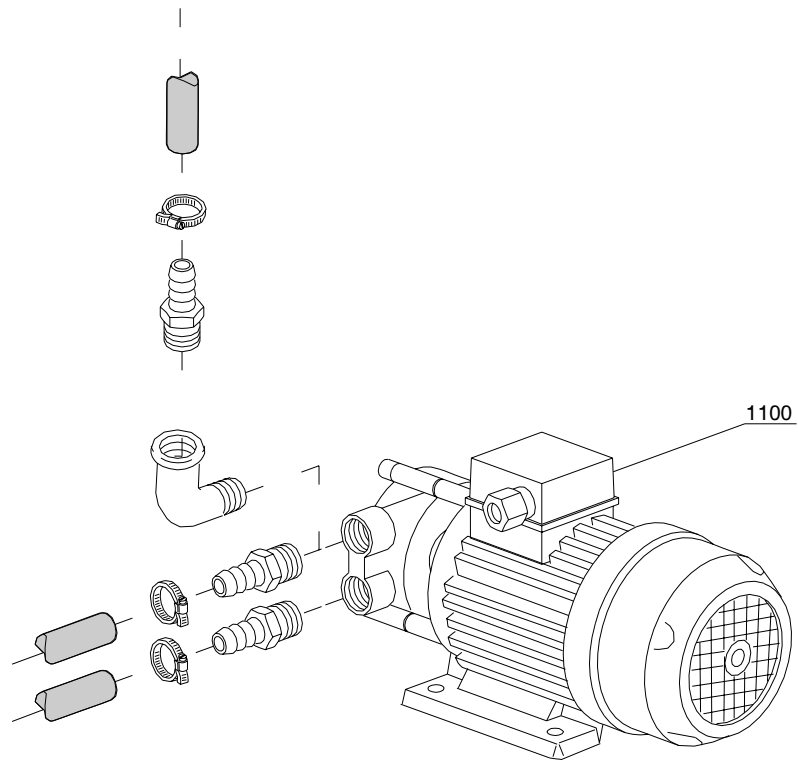


05_005_e

Spare parts

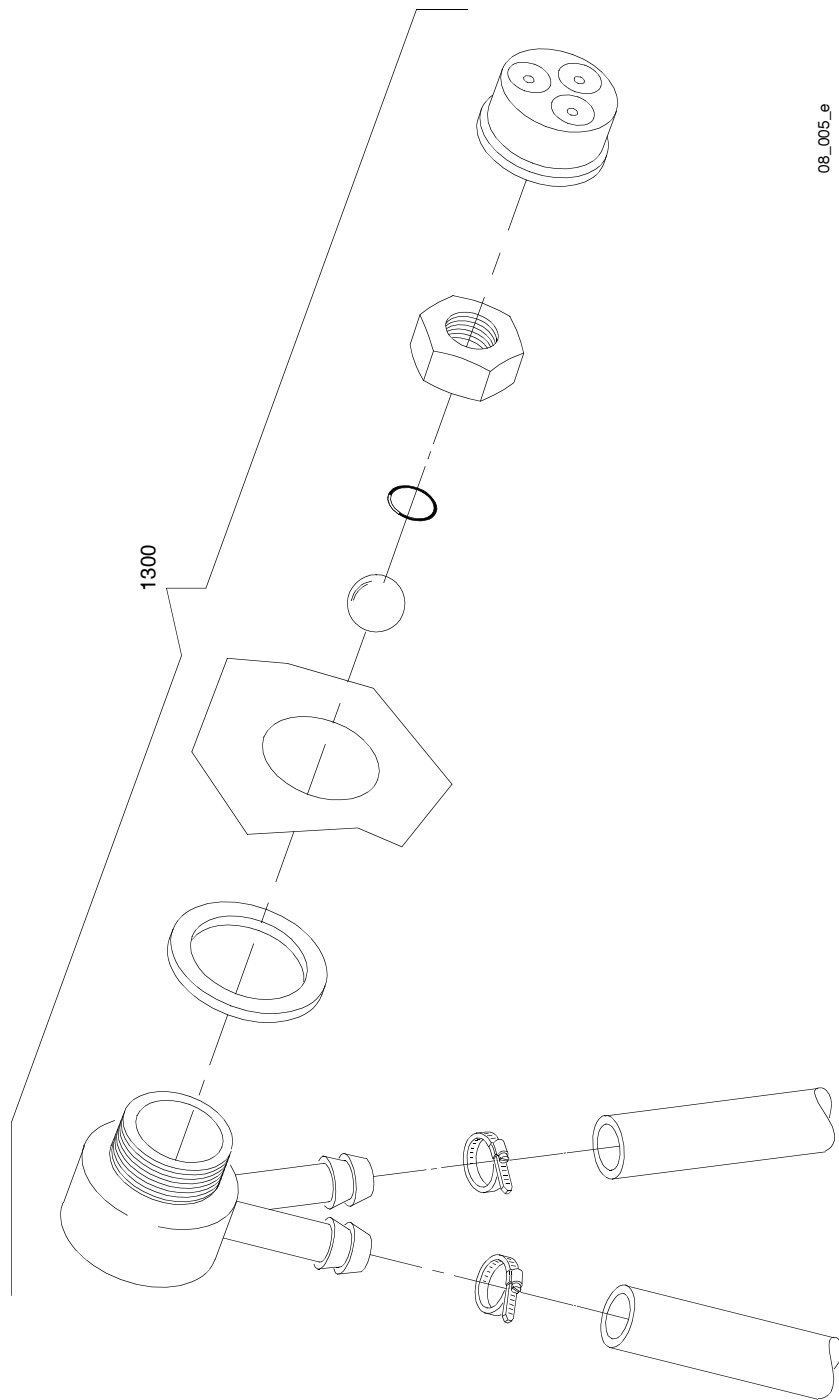
ID	P-code	Model	Type	Accessory	Voltage	Description
MODULE:Solenoid valve group						
800	30001000		69U			Single solenoid valve
820	N.C.		69U			Pression reducing valve

07_002_e



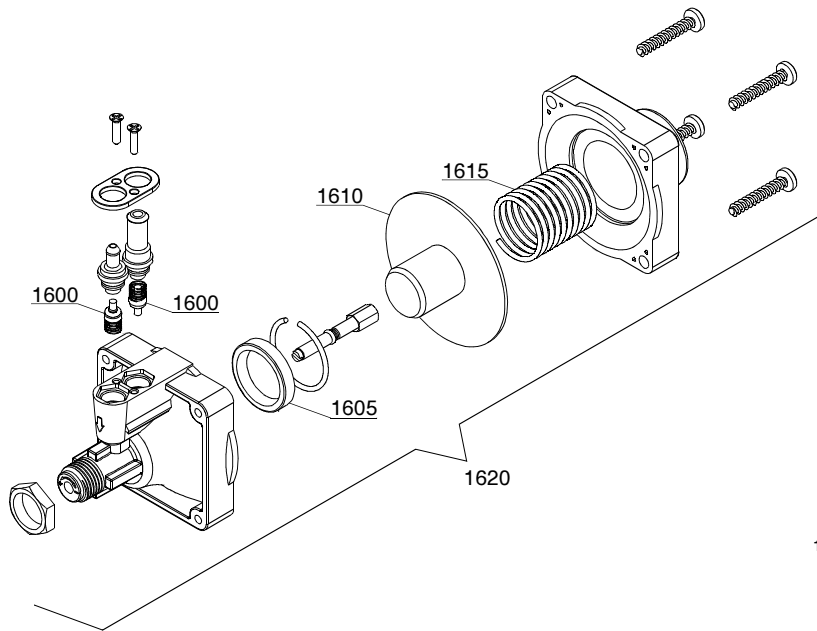
Spare parts

ID	P-code	Model	Type	Accessory	Voltage	Description
MODULE:Booster pump						
1100	15100		69U	bp		Booster pump



Spare parts

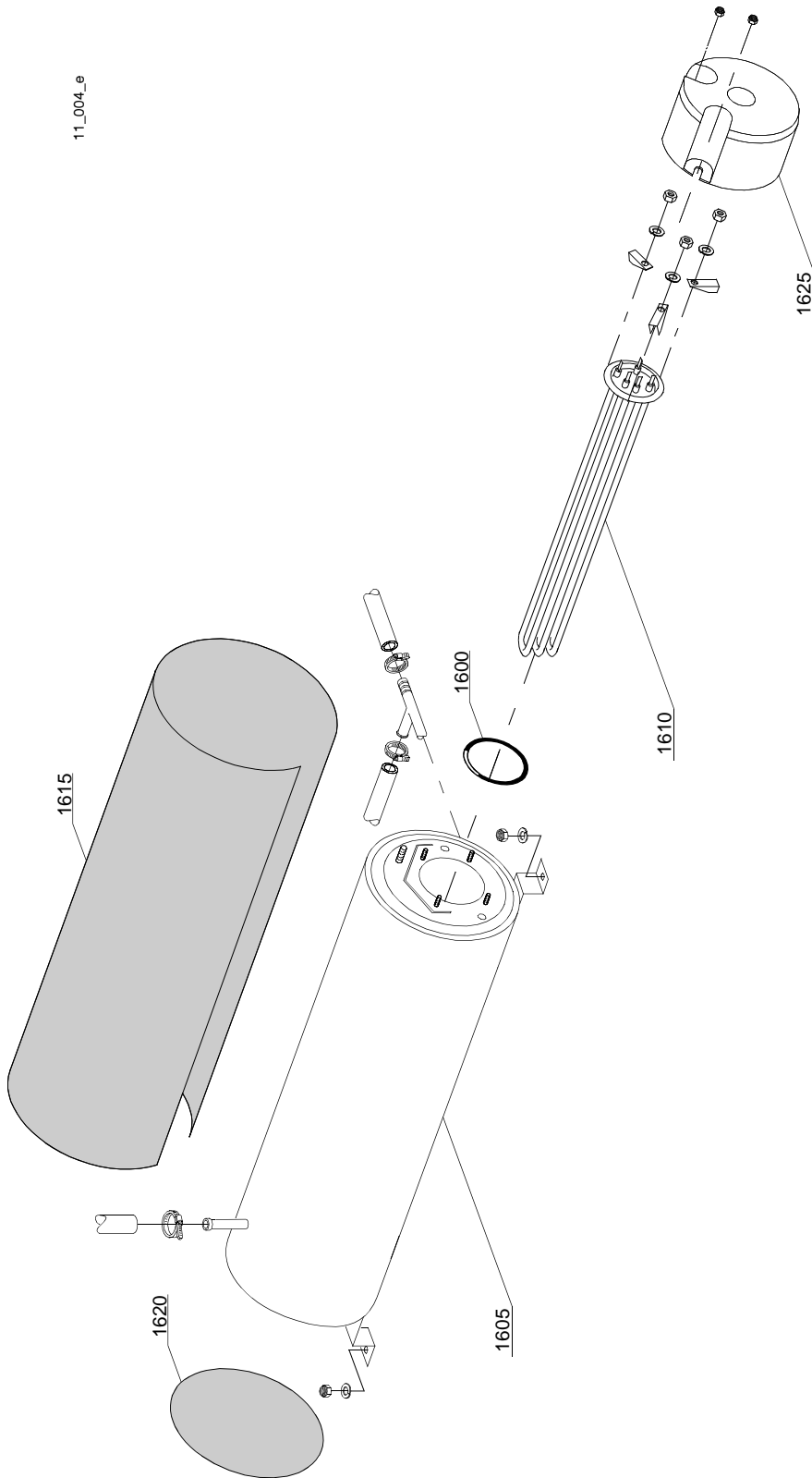
ID	P-code	Model	Type	Accessory	Voltage	Description
MODULE:DVGW						
1300	999900006		69U	dvgw		DVGW assembly



10_003_e

Spare parts

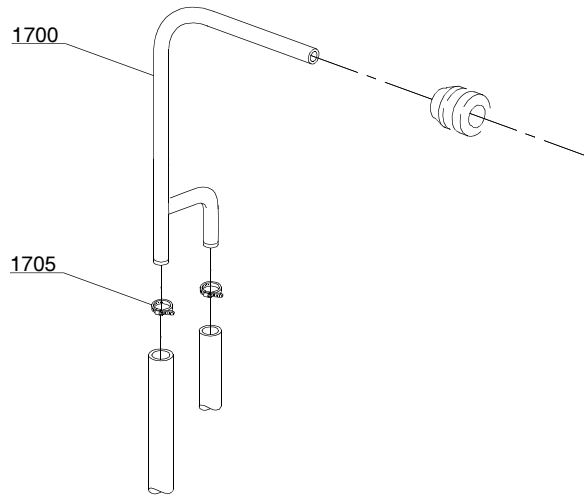
ID	P-code	Model	Type	Accessory	Voltage	Description
MODULE:Shining product dosing device group						
1600	10805		69U			Tecnopro dosing valve
1605	10806		69U			Ø22 gasket
1610	10807		69U			Membrane
1615	10808		69U			Spring
1620	10599999		69U			Shining product dosing device
1625	12525		69U			Counter-weight
1630	15058		69U			Small filter



Spare parts

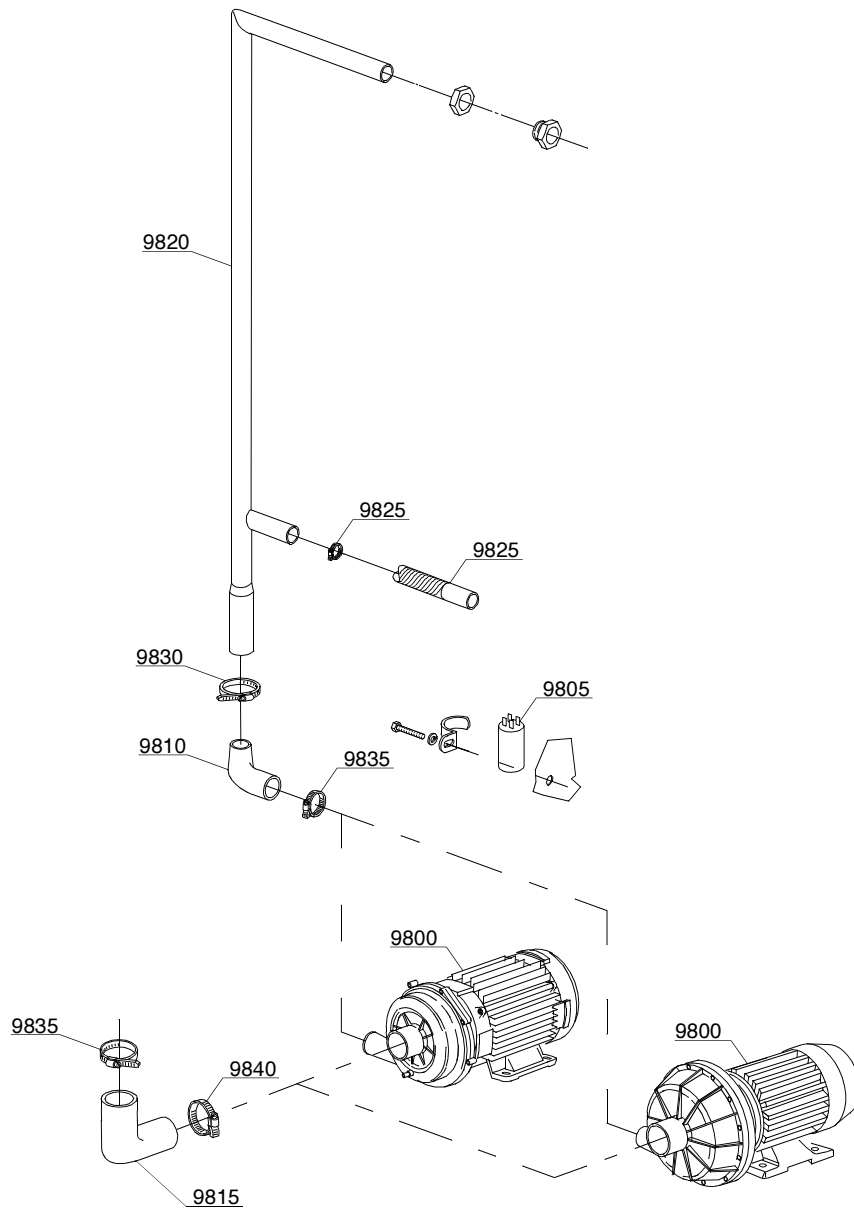
ID	P-code	Model	Type	Accessory	Voltage	Description
MODULE:Boiler group						
1600	13015		69U			6225 OR 160 NBR gasket
1605	22002		69U			Boiler
1610	30001010		69U			6KW heating element
1610	30001011		69U			9KW heating element
1610	30001011/A		69U			12KW heating element
1615	30002030		69U			Insulating boiler
1620	75205		69U			Ø160 bottom
1625	75311		69U			Heating element guard

12_007_e



Spare parts

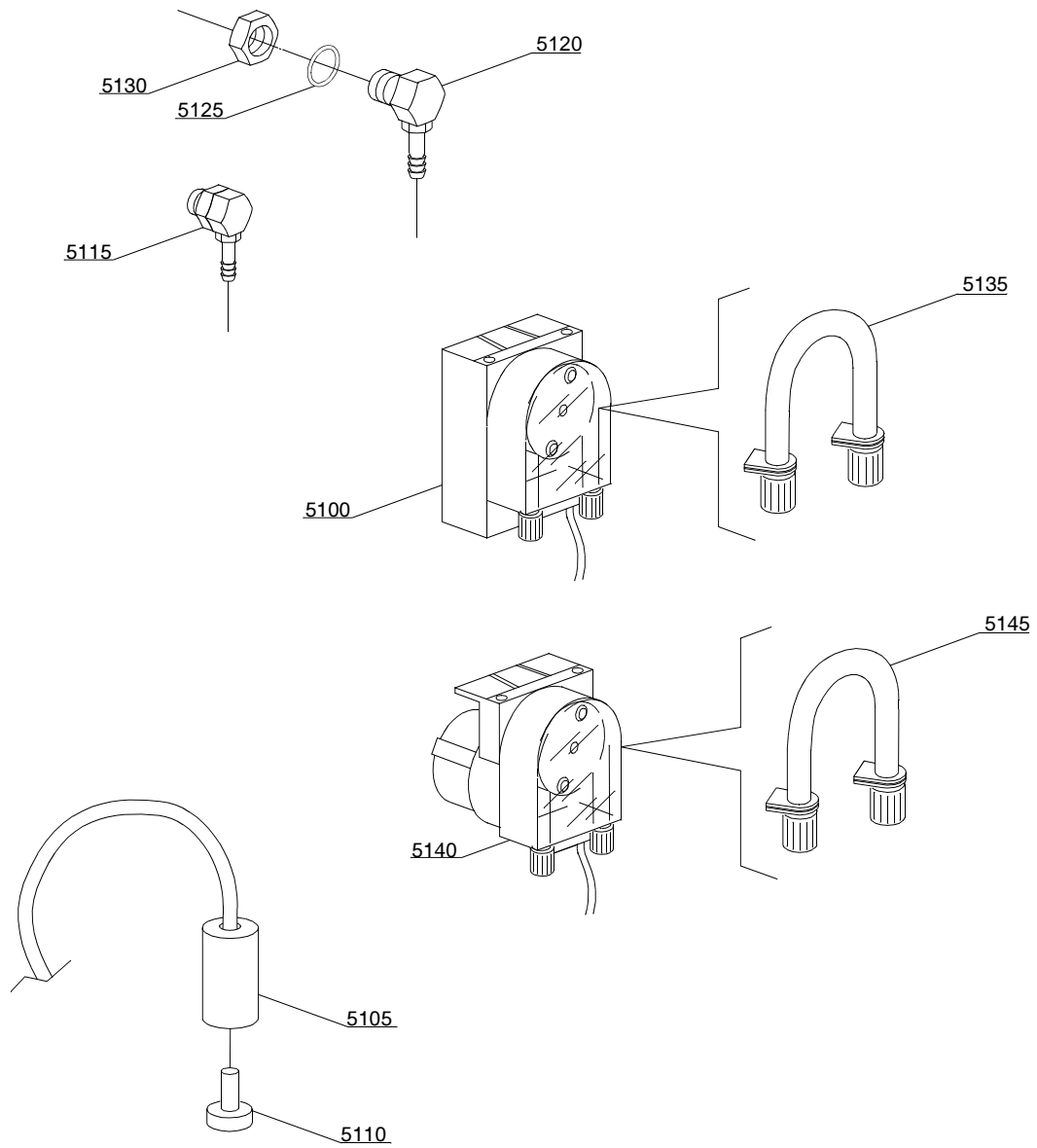
ID	P-code	Model	Type	Accessory	Voltage	Description
MODULE:Derivation group						
1700	15045/B		69U			3 ways derivation
1705	11807		69U			12/22 clamp



13_108_e

Spare parts

ID	P-code	Model	Type	Accessory	Voltage	Description
MODULE:Wash pump						
9800	10300057/A		69U			1,5Hp pump
9805	10702		69U			5 uF condenser
9810	16170/M		69U			Delivery side pipe coupling
9815	15032/A		69U			Suction pipe coupling
9820	21205		69U			Wash ramp
9825	15033/A		69U			Lower delivery wash pipe
9830	11809		69U			30/45 clamp
9835	11824		69U			50/70 clamp
9840	2902491		69U			60/80 clamp

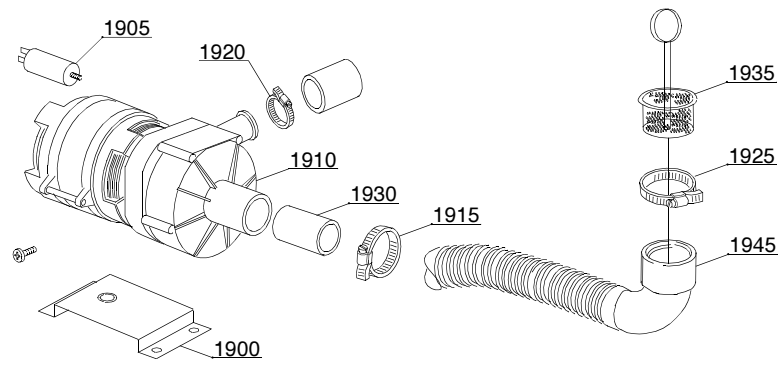


14_004_e

Spare parts

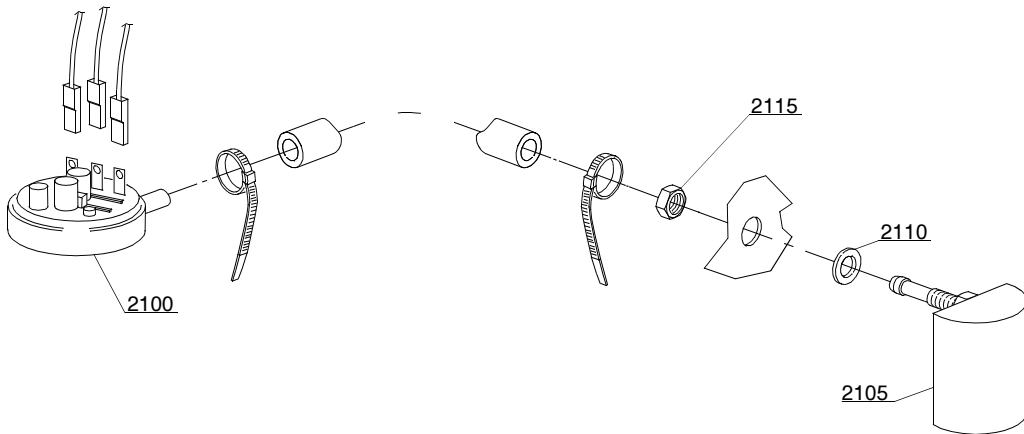
ID	P-code	Model	Type	Accessory	Voltage	Description
MODULE:Dosing device group						
5100	15985		69U	dd		Seko dosing device
5105	12525		69U	dd		Counter-weight
5110	15058		69U	dd		Small filter
5115	15123		69U	dd		Compleat plastic injector
5120	15148		69U	dd		Steel injector
5125	15159		69U	dd		OR gasket
5130	10200205		69U	dd		M12x1 stainless steel nut
5135	15185		69U	dd		Seko thermoplastic pipe
5140	15985		69U	dd		Germac dosing device
5145	15108/E		69U	dd		Germac thermoplastic pipe

15_003_e



Spare parts

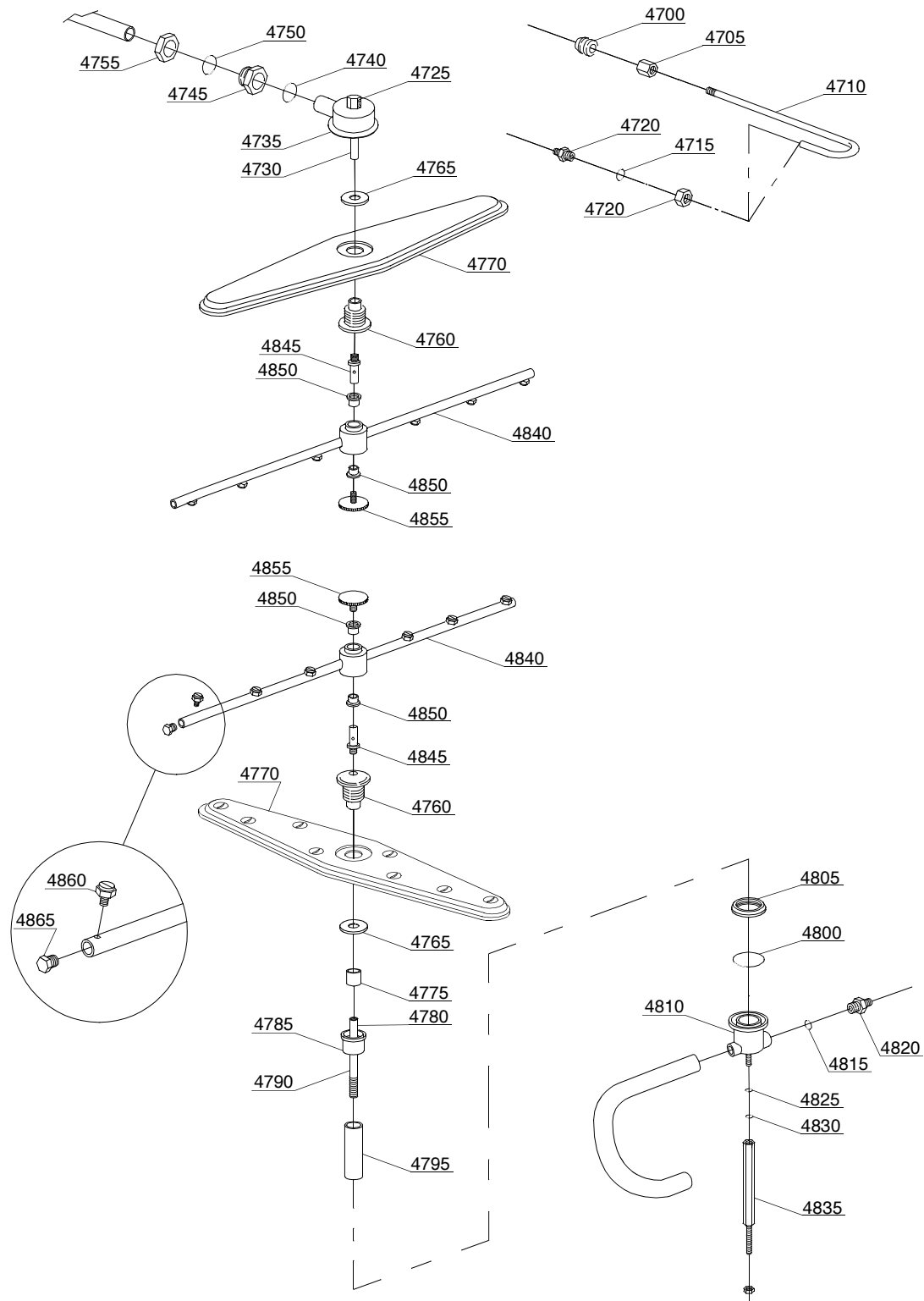
ID	P-code	Model	Type	Accessory	Voltage	Description
MODULE:Drain pump group						
1905	10702		69U	dp		5 uF condenser
1910	10501/A		69U	dp		Drain pump
1915	11806		69U	dp		25/40 clamp
1920	11836		69U	dp		20/32 clamp
1925	11809		69U	dp		30/45 clamp
1930	18044		69U	dp		Ø28 top wash pipe
1935	10200039		69U	dp		Flow drain filter
1945	18787		69U	dp		Drain coude/pump connection pipe



16_001_e

Spare parts

ID	P-code	Model	Type	Accessory	Voltage	Description
MODULE:Pressure switch group with air trap						
2100	75950		69U			86-59 pressure switch
2105	10911/C		69U			Air trap assembly
2110	13301		69U			Gasket
2115	11702		69U			M8 stainless steel nut



17_103_e

Spare parts

ID	P-code	Model	Type	Accessory	Voltage	Description
MODULE:Turret group with rotating arms						
4700	13304		69U			Pipe-pass gasket
4705	12526		69U			Stainless steel pipe coupling
4710	75066		69U			Top rinse ramp
4715	13003		69U			OR 112 NBR gasket
4720	12006		69U			Ø10 rinse pipe fitting
4725	75319		69U			Rinse elbow
4730	75322		69U			Top rinse axle extension
4735	75067		69U			Stainless steel turret
4740	13004		69U			OR 3137 NBR gasket
4745	15042		69U			"1"" 1/4 ring nut"
4750	13008		69U			OR 147 NBR gasket
4755	15042/A		69U			Nut
4760	75320		69U			Hub for rotor
4765	75317		69U			Nut for hub
4770	75915		69U			Stainless steel wash rotor
4775	75321		69U			Spacer for hub
4780	75315		69U			Rinse axle extension
4785	15040/A		69U			Lower wash bell-shape
4790	22026		69U			Lower extension axle
4795	22050		69U			Steel pipe coupling
4800	13022		69U			OR 4150 gasket
4805	15038		69U			Ring nut connection
4810	15041/A		69U			Grey wash/rinse lower distributor
4815	13003		69U			OR 112 NBR gasket
4820	12506		69U			Ø10 rubber-holder
4825	11611		69U			Washer
4830	13313		69U			8x24x2 gasket
4835	22024		69U			Lower tie rod
4840	75918		69U			Top/lower rinse group
4845	75323		69U			Rinse axle
4850	13320		69U			Sliding washer
4855	11101/B		69U			Stainless steel group fixing screw
4860	560018		69U			Stainless steel rinse nozzle
4865	560017		69U			Rinse arm plug
4870	12006/A		69U			Ø10 pipe fitting 3/8x3,5 nut 19 hexagonal
4875	11702		69U			M8 stainless steel nut
4880	13316/A		69U			DVGW hole gasket