

## Vorbereitung Kartoffelschäler

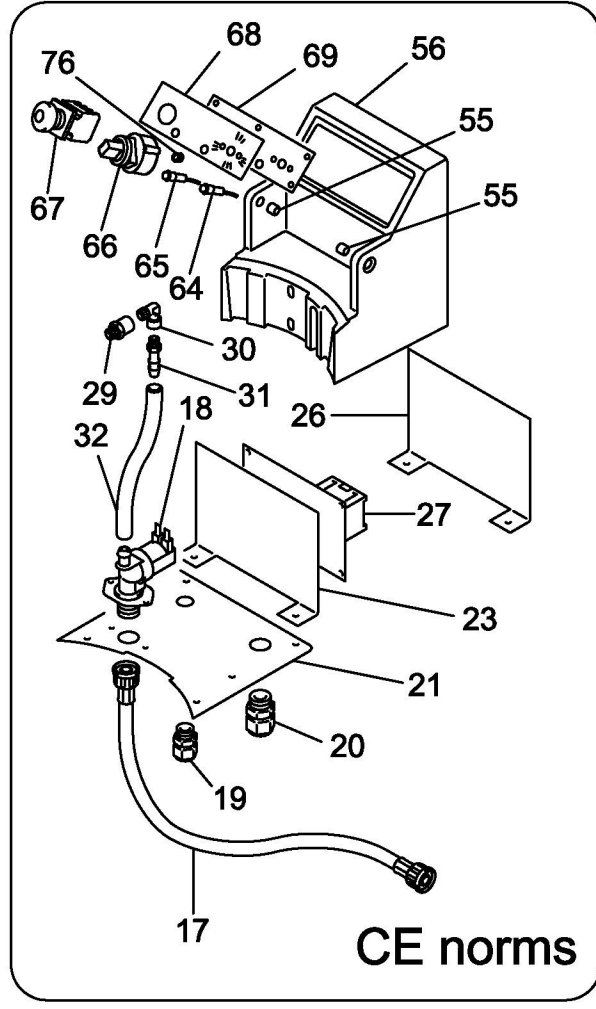
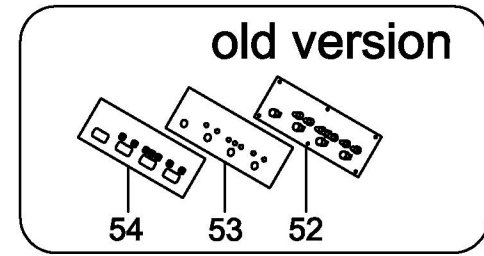
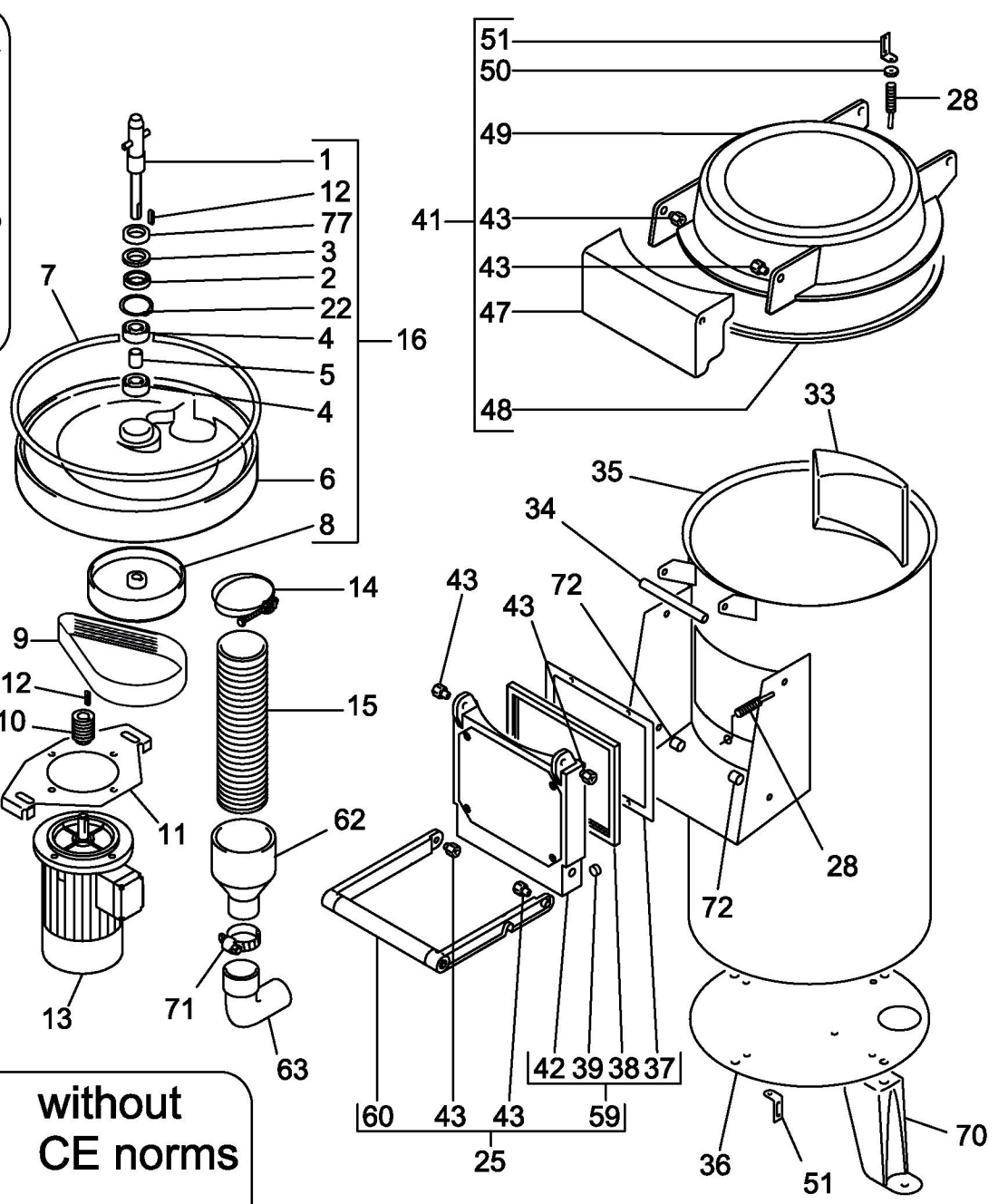
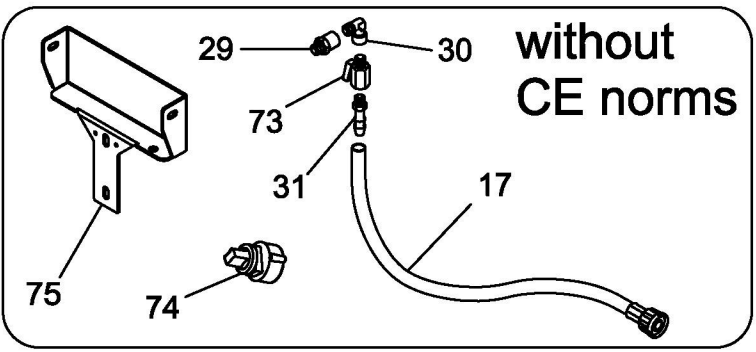
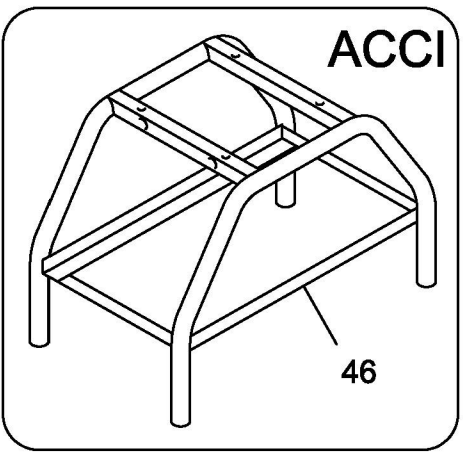
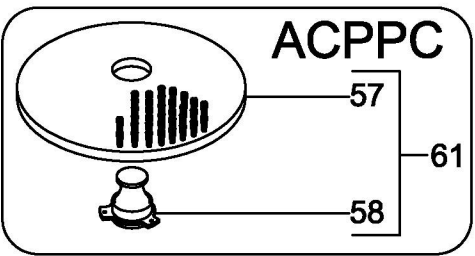
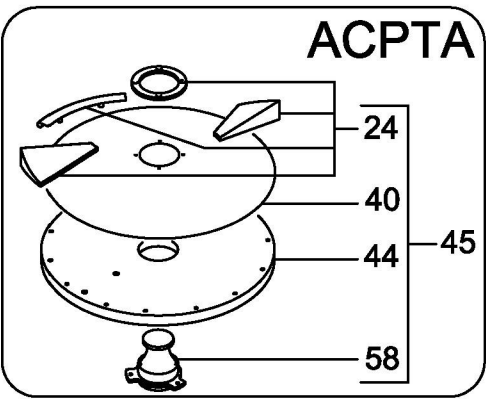
Artikel-Nr. 451004 (PPN10)

---

### Explosionszeichnung / Ersatzteile

---

Bitte bei Ersatzteilbestellung immer Seriennummer mit angeben!



PPN-PPF-LCN-LCF10-18M

Pos. Ref.	Codice Code	Caratteristiche Features	Descrizione Description	
1	36G6590		Albero	Shaft
2	3151300	∅28x∅42x7	Paraolio	Oil seal
3	3190830		Rosetta	Washer
4	36F0090	6302 2RS	Cuscinetto	Bearing
5	36G5950		Boccola	Bush
6	3600870		Fondo	Bottom
7	3151750		Guarnizione	Gasket
8	36G6600		Puleggia	Pulley
9	36G6610	● Poly V-559 j12	Cinghia	Belt
10	36G6620	(PPN-PPF10-18)	Puleggia	Pulley
10	36G0030	(LCN-LCF10-18)	Puleggia	Pulley
11	35V1230		Staffa	Bracket
12	SL0010	5x5x20	Linguetta	Key
13	SL0040	400V/3Ph/50Hz (PPN-PPF10)	Motore	Motor
13	SL0041	230V/1Ph/50Hz (PPN-PPF10)	Motore	Motor
13	SL1041	400V/3Ph/50Hz (PPN-PPF18)	Motore	Motor
13	SL1042	230V/1Ph/50Hz (PPN-PPF18)	Motore	Motor
13	SL1521	400V/3Ph/50Hz (LCN-LCF10)	Motore	Motor
13	SL1523	230V/1Ph/50Hz (LCN-LCF10)	Motore	Motor
13	SL1522	400V/3Ph/50Hz (LCN-LCF18)	Motore	Motor
13	SL1524	230V/1Ph/50Hz (LCN-LCF18)	Motore	Motor
13	32M4080	400V/3Ph/50Hz (2 speed - PPN-PPF10) 01/01/05 f.p.(*)	Motore	Motor
13	32M4050	400V/3Ph/50Hz (2 speed - PPN-PPF18) 01/01/05 f.p.(*)	Motore	Motor
14	3140460	∅88÷∅96	Fascetta	Clip
15	SL2721	∅90 (PPN-LCN)	Tubo	Tube
15	35X1150	∅90 (PPF-LCF)	Tubo	Tube
16	SA1064	Assembly	Fondo	Bottom
17	33M0010	3/4" F-F	Tubo	Tube
18	33D1371	230V/50-60Hz 3/4" M	Elettrovalvola	Electro-valve
19	SL0893	PG13,5	Pressacavo	Cable clamp
19	32D0360	01/01/04 f.p.(*)	Pressacavo	Cable clamp
20	32D1090	PG21	Pressaguaina	Sheathing clamp
21	SL2939		Piastra	Plate
21	35Q8620	01/01/04 f.p.(*)	Piastra	Plate
22	SL2056	∅42	Seeger	Seeger
23	SL2785		Piastra	Plate
23	35V8601	01/01/04 f.p.(*)	Divisorio	Dividing head
24	SA3460	plastic (PTA)	Kit disco	Disk set
24	SA3450	28/01/08 f.p.(*)	Kit disco	Disk set
25	SA1072	Assembly	Sportello	Door
26	35M8840		Copertura	Covering
27	SL2921	●	Scheda elettronica	Electronic card
27	32Z4840	01/01/04 f.p.(*)	Teleruttore	Remote control switch
28	32W3240	● CE norms	Microinterruttore	Microswitch
29	33Q6210	1/4" M-F	Raccordo	Nipple
30	33Q6040	L 90° 1/4" M-F	Raccordo	Nipple
31	33Q5180	1/4" M ∅12	Portagomma	Cluch
32	33M0960	∅12	Tubo	Tube
33	36D9660		Saltarello	Leaper
34	36G2040		Perno	Pivot
35	30W2930	(PPN-PPF-LCN-LCF10)	Carcassa	Housing
35	SL2694	(PPN-PPF-LCN-LCF18)	Carcassa	Housing
36	SL3369	(PPN-LCN10-18)	Fondo	Bottom
36	35D7790	(PPF-LCF10-18)	Fondo	Bottom
37	36C0011		Telaio	Frame
38	37Q7860		Guarnizione	Gasket
39	3600160	● CE norms	Magnete	Magnet
40	SL3542		Tela abrasiva	Emery cloth
40	SL2494	● 28/01/08 f.p.(*)	Tela abrasiva	Emery cloth
41	6005380	Assembly	Coperchio	Cover
42	SA3400	Assembly	Sportello	Door
43	36D9550		Boccola	Bush
44	SL3543		Disco	Disk
44	SL2135	28/01/08 f.p.(*)	Disco	Disk
45	ACPTA	Assembly (PPN-PPF10-18)	Disco patate	Potato disk
46	ACCI	Assembly (PPF-LCF10-18)	Telaio	Frame
47	36M5090		Maniglia	Handle
48	SL2871	●	Guarnizione	Gasket
49	36Z6501		Coperchio	Cover
50	3600310	● CE norms	Magnete	Magnet
51	35V6381		Staffa	Bracket
52	32Z3030	01/01/04 f.p.(*)	Scheda elettronica	Electronic card
53	30A3560	01/01/04 f.p.(*)	Pannello	Panel
54	SL1504	01/01/04 f.p.(*) (PPN-PPF-LCN-LCF10-18)	Etichetta	Label
54	SL1505	01/01/04 f.p.(*) (2 speed - PPN-PPF-LCN-LCF10-18)	Etichetta	Label
55	36D7310		Boccola	Bush

56	36Z0690			Scatola	Box
57	36G6880			Disco cozze	Mussel disk
58	SL3267			Pomello	Knob
59	6000930		Assembly	Sportello	Door
60	SA1093		Assembly	Maniglia	Handle
61	ACPPC		Assembly (LCN-LCF10-18)	Disco cozze	Mussel disk
62	SL2720		ø100-ø50 (PPN-LCN10-18)	Riduzione	Reduction
63	SL2719		ø50 (PPN-LCN10-18)	Gomito	Bend
64	32W2970	●	230V 2W green	Lampada	Lamp
65	32W3280	●	230V 2W white	Lampada	Lamp
66	SA1087	●		Timer	Timer
67	SA1088	●	Unstable	Pulsante	Push button
68	SL3705			Etichetta	Label
68	SL3530		01/12/08 f.p.(*)	Etichetta	Label
69	SL3693			Pannello	Panel
69	30A3620		01/12/08 f.p.(*)	Pannello	Panel
70	SL3223	●	(PPN-LCN10-18)	Piedino	Foot
71	SL2745		ø50÷ø70 (PPN-LCN10-18)	Fascetta	Clip
72	SL2349			Perno	Pivot
73	SL1622		1/4" M-F	Rubinetto	Cock
74	SA1092		Assembly	Timer	Timer
75	SL2904			Staffa	Bracket
76	SL0772		V-8-S	V-ring	V-ring
77	SL3943		ø28xø42x7	Paraolio	Oil seal
(*) : fuori produzione / out of production				● : ricambio consigliato / spare part suggested	