

TABLE
KI2420

REV
04

K 2500

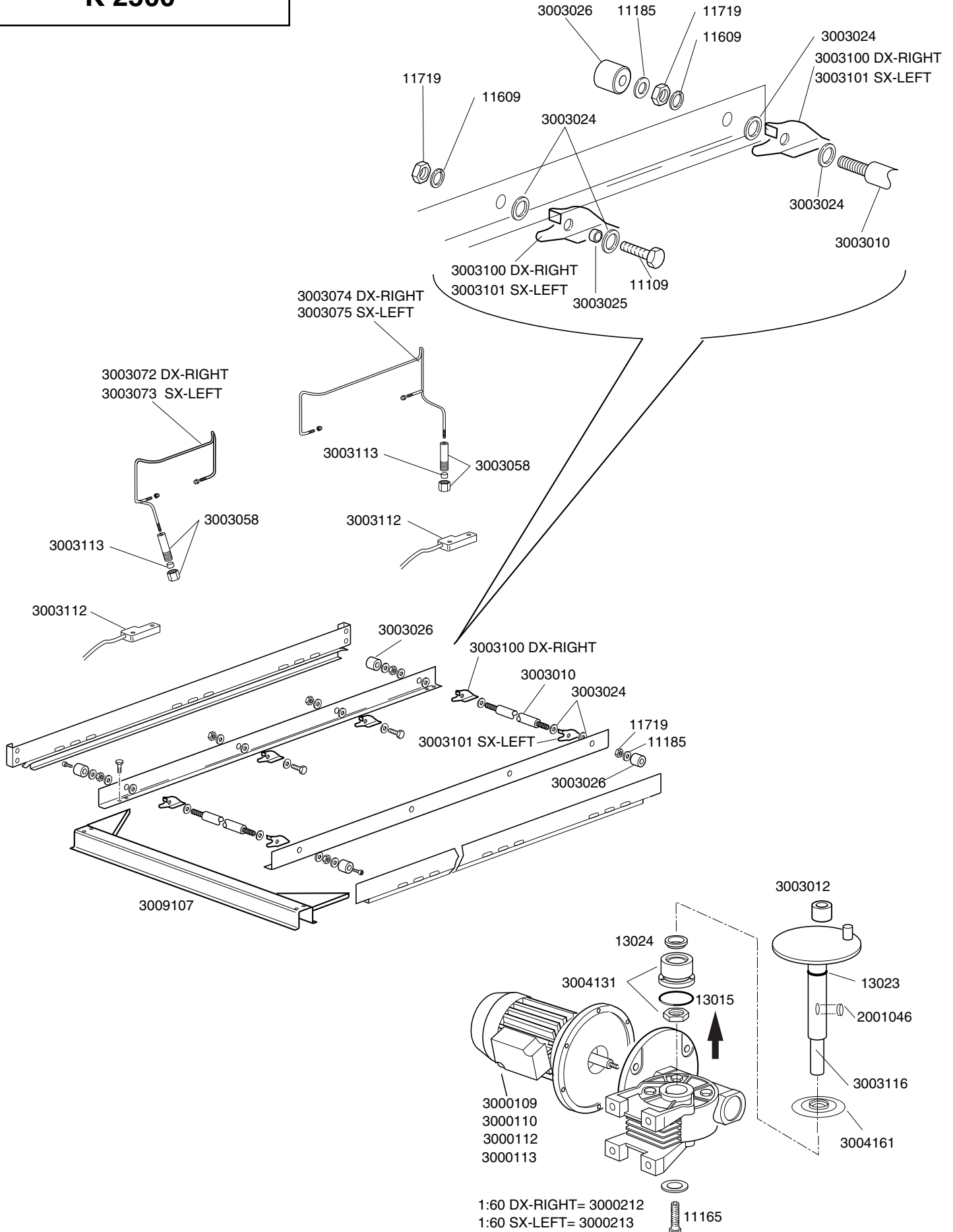


TABLE
KI2430

REV
03

K 2500

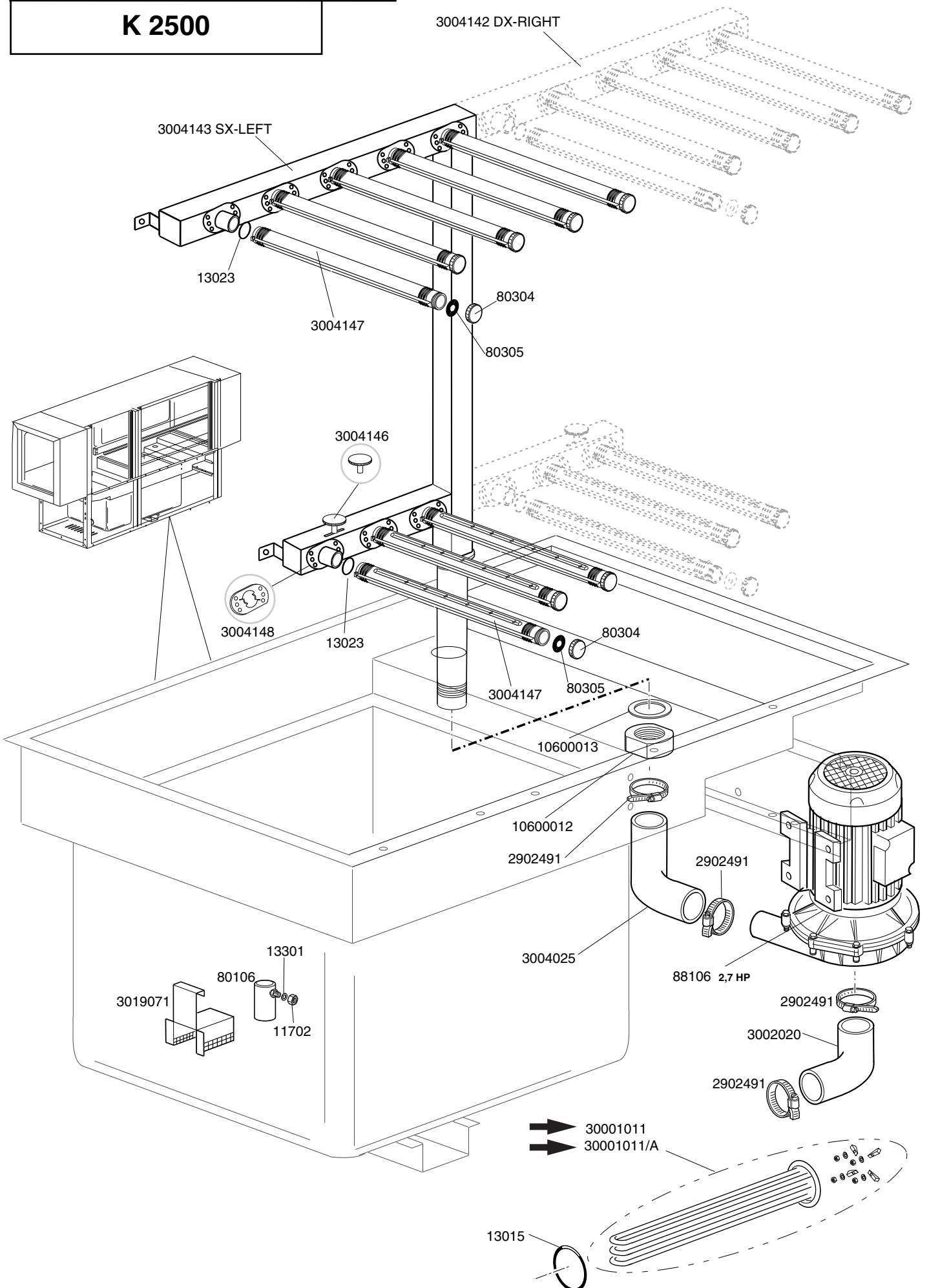
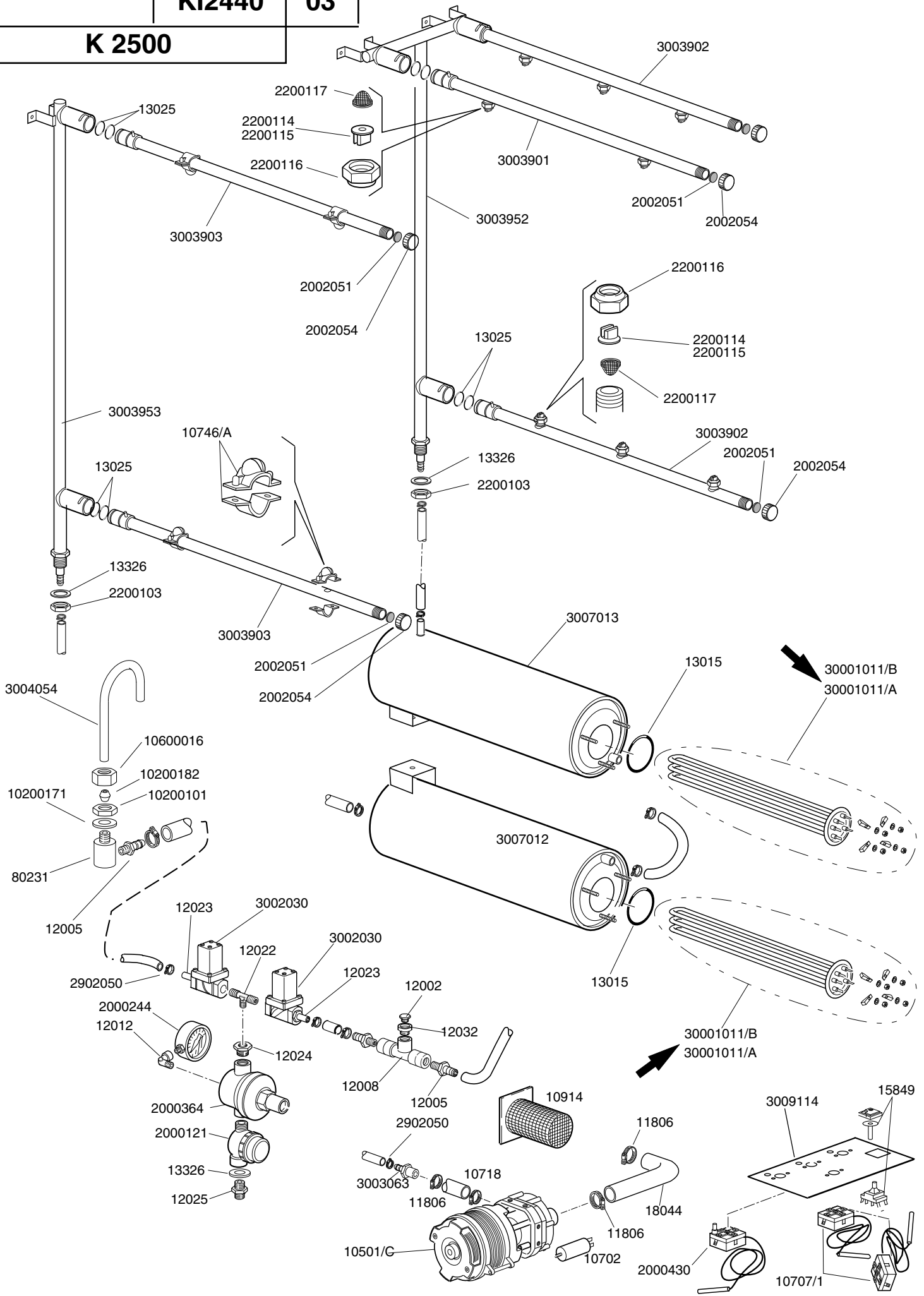


TABLE
KI2440

REV
03

K 2500



DISHWASHER K 2500

**TABLE
KI2440**

CODE	DESCRIPTION	CODE	DESCRIPTION
10702	5 450V condenser		
10718	36x28x75 pump elbow		
10914	Complete pump filter		
10914	Complete pump filter		
11806	25/40 clamp		
12002	Plug 1/8		
12005	Hose holder 1/4 tube d. 12		
12008	Connection "T" 1/4		
12012	Elbow M-F 1/4		
12022	Union tee 1/2 MMM		
12023	Hose holder M 1/2		
12024	Reduction nipples 1/2 F- 3/4 M		
12025	Nipples 3/4 MM		
12032	Reduction 1/8-1/4		
13015	OR 6225 gasket		
13025	OR 2081 gasket		
13326	38x27x2 gasket		
15849	Single switch		
18044	Pipe d.28 EPDM		
80231	Inlet fitting		
2000121	Water supply line filter 3/4"		
2000244	Pressure reduction gauge 1/4"		
2000364	Pressure reducer for filter 1/4"		
2000430	Safety thermostat		
2002051	Plug gasket		
2002054	Arm plug		
2200103	Hexagonal 3/4 nut 34x8		
2200114	Stainless steel I-C1-03/110 blade nozzle		
2200115	Stainless steel I-C1-04/110 blade nozzle		
2200116	Stainless steel 3/8F ring nut		
2200117	Filtre for rinse jet		
2902050	15/24 stainless steel clamp		
3002030	Solenoid valve OT58 1/2 240V 50-60Hz		
3003063	Rinsing ramp reduction gear		
3003901	2 nozzle stainless steel rinsing arm		
3003902	3 nozzle stainless steel rinsing arm		
3003903	2 nozzle stainless steel pre-rinsing arm		
3003952	Right/left rinsing ramp		
3003953	Stainless steel pre-rinse ramp		
3004054	Tank water inlet pipe		
3007012	Lower boiler		
3007013	Upper boiler		
3009114	Thermostat support		
10200101	Stainless steel 3/8 pipe union nut		
10200171	FASIT 25x17x2 gasket		
10200182	Biconic washer 12		
10600016	Stainless steel fitting nut 3/8"		
30001024	Resistance flange		
10501/C	0,10HP pump Hight-Temperature		
10707/1	0-90 thermostat		
10746/A	Nozzles with narrow fissure		
→ 30001011/A	12KW 230V heating element		
→ 30001011/B	14Kw Boiler heating element		

TABLE	REV
KI2450	01

K 2500

