

**M B M**

**SPARE PARTS CATALOGUE  
ERSATZTEILKATALOG  
CATALOGUE PIECES DETACHEES  
CATALOGO PARTI RICAMBIO  
CATALOGO DE PIEZAS DE RECAMBIO  
CATALOGO PEÇAS DE REPOSICAO**

**LOD 304**

**23-04-2009**

# LOD 304

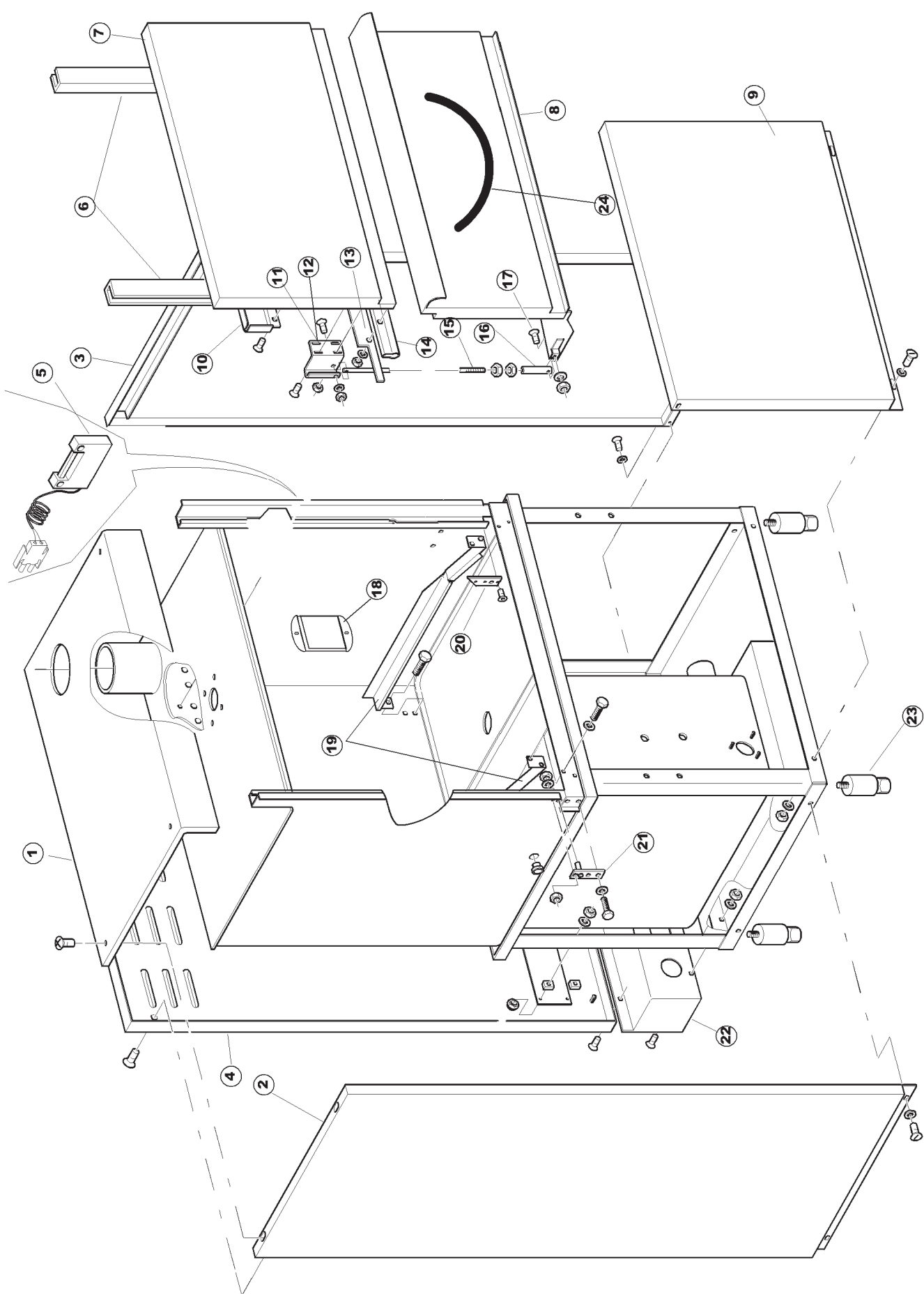
Tav.1: Carrozzeria  
Tav.2: Impianto elettrico  
Tav.3: Componenti in vasca  
Tav.4: Circuito di lavaggio  
Tav.5: Circuito di risciacquo  
Tav.6: Lance di lavaggio  
Tav.7: Pompa di lavaggio

Tav.1: Machine body  
Tav.2: Electrical components  
Tav.3: Components in the tank  
Tav.4: Washing circuit  
Tav.5: Rinsing circuit  
Tav.6: Washing arms  
Tav.7: Washing pump

Tab.1: Carrocería  
Tab.2: Instalación eléctrica  
Tab.3: Componentes en cuba  
Tab.4: Circuito de lavado  
Tab.5: Circuito d'enjuague  
Tab.6: Brazos de lavado  
Tab.7: Bomba de lavado

Tab.1: Carrosserie  
Tab.2: Installation électrique  
Tab.3: Composants de cuve  
Tab.4: Circuit de lavage  
Tab.5: Circuit de rinçage  
Tab.6: Bras de lavage  
Tab.7: Pompe de lavage

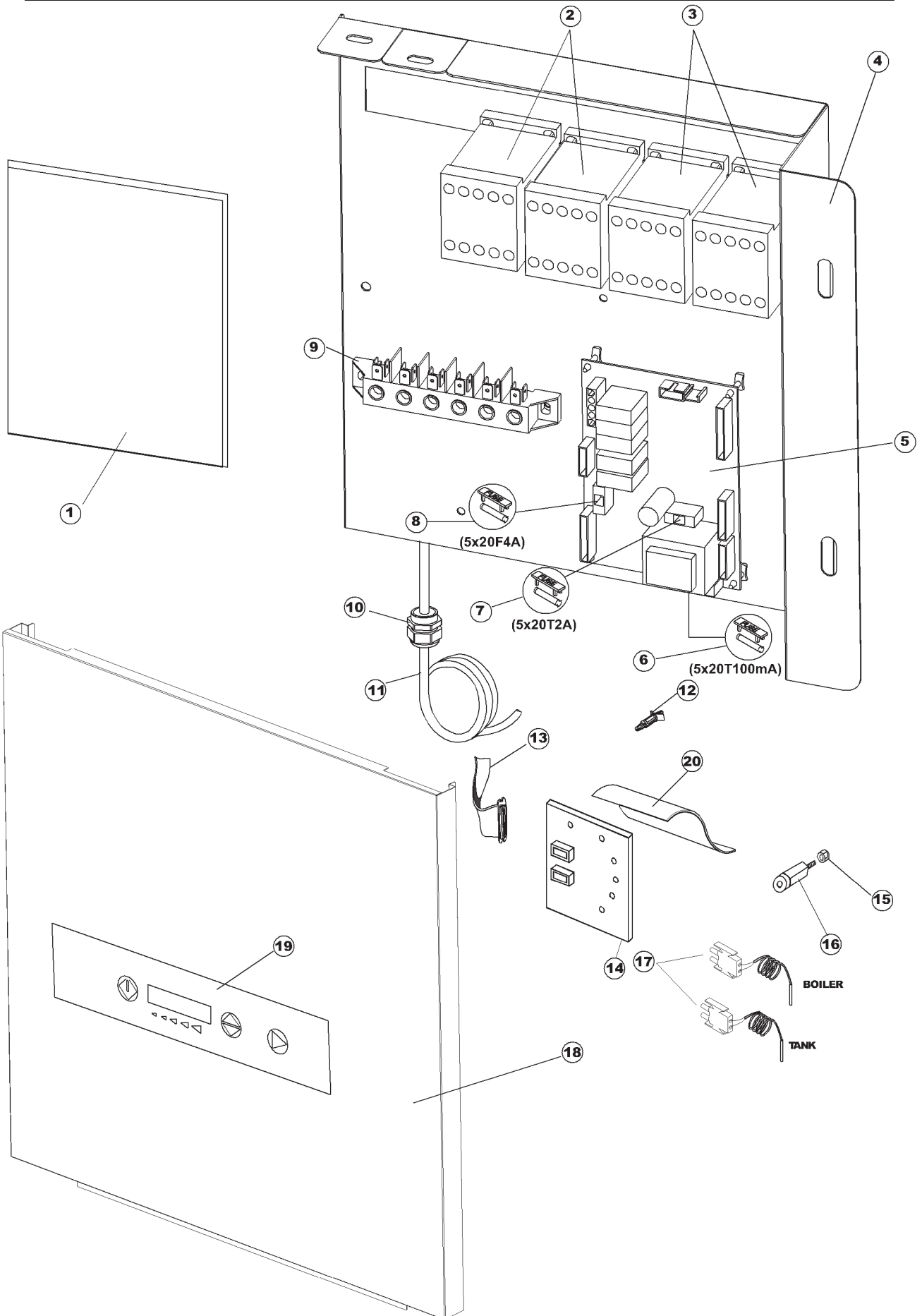
Taf.1: Verkleidung  
Taf.2: Elektrische Anlage  
Taf.3: Bauteile im Waschtank  
Taf.4: Spuelschaltung  
Taf.5: Nachspuelschaltung  
Taf.6: Wascharme  
Taf.7: Spuelpumpe



# Pagina 1

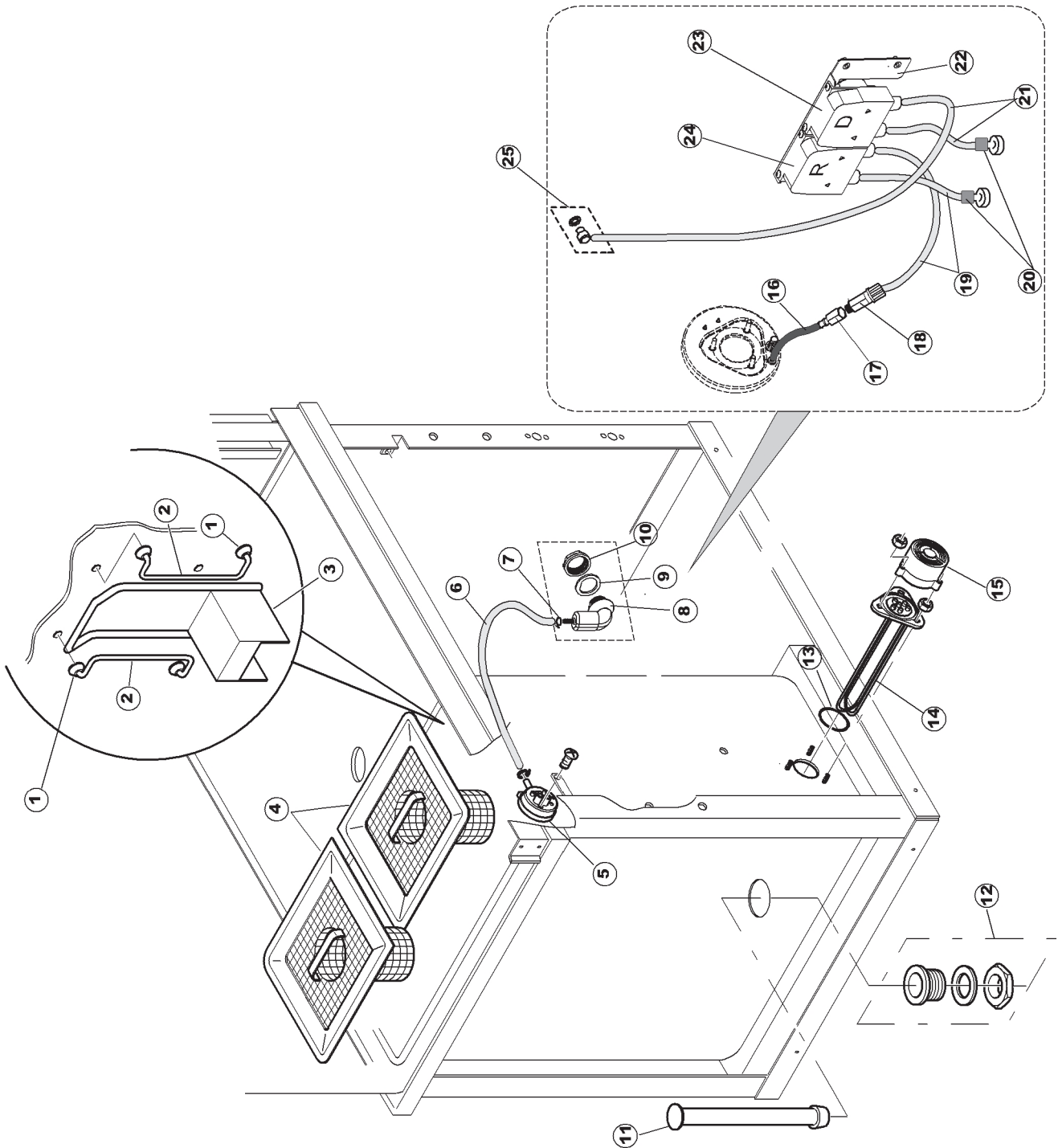
1	42118	PANNELLO SUPERIORE PER LAVAPENTOLE UPPER PANEL FOR POT AND PAN WASHERS OBERPANEEL FUER KOCHTOEPFESPUELER PANNEAU SUPERIEUR POUR LAVE-CASSEROLES	
2	42511	PANNELLO LATERALE SINISTRO SIDE PANEL - LEFT SEITLICHES PANEEL - LINKS PANNEAU LATERAL - GAUCHE.	
5	211002AG	CONTATTO MAGNETICO MAGNETIC DOOR SWTICH TUERKONTAK SCHALTER CONTACT MAGNETIQUE	
6	44265	GUIDA PORTA DOOR SLIDING GUIDE TUER-GLEITENDER BAHN - OBEN - GUIDE GLISSANTE PORTE	
8	42640	PORTA INFERIORE LOWER DOOR TUER - OBEN PORTE INFERIEURE	
9	42124	PANNELLO ANTERIORE LP201 COMPLETO	
10	42042	BATTUTA SPORTELO SUPERIORE PER LAVAPENT DOOR-LEDGE ANSCHLAG FUER OBERE TUER FUER KOCHTOEPFE FEUILLURE PORTE SUPERIEURE POUR LAVE-CAS	
11	4108701	SQUADRA DESTRA AGGANCIO TIRANTE RIGHT BRACKET FOR UPPER DOOR TIE ROD RECHT-HATER FUER ANKUPPELN DER OBEREN EQUERRE DROITE ACCROCHAGE TIRANT	
12	4108801	SQUADRETTA SINISTRA AGGANCIO TIRANTE LEFT BRACKET FOR UPPER DOOR TIE ROD LINK-HALTER FUER ANKUPPELN OBEREN EQUERRE DROITE ACCROCHAGE TIRANTE PORTE	
13	42045	SUPPORTO GUARNIZIONE SPORTELO SUPERIORE DOOR PAKING SUPPORT - UPPER - FOR POT AN DICHTUNGSHALTERUNG DER TUER - OBEN - FU SUPPORT JOINT PORTE SUPERIEUR POUR LAVE-	
14	41247	GUARNIZIONE SPORTELO LAVAPENTOLE POT AND PAN WASHER DOOR PACKING DICHTUNG FUER TUER DER KOCHTOEPFESPUELER JOINT PORTE LAVE-CASSEROLES	
15	44593	TIRANTE PORTA DOOR LEVER HEBEL TUER MONT TIRANT PORTE	
16	41095	BOCCOLA SUPERIORE TIRANTE SPORTELO PER UPPER BUSH FOR DOOR TIE FOR POT AND PAN OBERE BUCHSE FUER TUER-ZUGSTANGE FUER KO BOUCLE SUPERIEURE TIRANT PORTE POUR LAVE	
17	486078	VITE IN ACCIAIO INOSSIDABILE SPEC. STAINLESS STEEL SCREW 6MAX30 T.1/2 TC SCHRAUBE AUS NICHTROSTENDEM STAHL 6MAX30 VIS EN ACIER INOXYDABLE 6MAX30 T.1/2 TC	
18	43527	PROTEZIONE GUARD SCHUTZVERKLEIDUNG PROTECTION	
19	42539	GUIDA CESTO RACK GUIDE KORBUEHRUNG COULISSE PANIER	
20	4113501	SPESSORE LATERALE SPORTELO DX/SX DOOR SIDE THICKNESS - DX/SX DICKUNG - SEITLICH - DER TUER - DX/SX EPAISSEUR LATERAL PORTE DX/SX	

21	4114501	PIASTRINA PERNO SPORTELLO PER LAVAPENTOL SMALL PLATE FOR DOOR PIN FOR POT AND PAN PLATCHEN FUER ZAPFEN TUER FUER KOCHTOEPF PLAQUE PETITE POUR PIVOT PORTE POUR LAVE	
22	42621	PANNELLO RETRO INFERIORE REAR PANEL RUECKWANDVERKLEIDUNG PANNEAU ARRIERE	
23	927006	PIEDE IN ACCIAIO INOSSIDABILE 2" M.H=85 STAINLESS STEEL FOOT 2" M.H=85 C/F+P.125 FUESS AUS NICHTROSTENDEM STAHL 2" M.H=85 VERRIN -ACIER INOXYDABLE 2" M.H=85 C/F+	



## Pagina 2

2	80350	CONTATTORE 230/50-60HZ CONTACTOR 230-50/60HZ KONTAKT-GEBER 230-50/60HZ CONTACTEUR 230-50/60HZ	
3	DTC112NO	VEDI CODICE 926282 SEE CODE 926282 SIHE KODE 926282 VOIRE CODE 926282	
5	215032	SCHEDA ELETTRONICA GET50 MAIN BOARD KARTE CARTE ELECTRONIQUE	
6	228012	FUSIBILE 5X20 T100MA FUZE SICHERUNG FUSIBLE	
7	228011	FUSIBILE 5X20 T2A FUZE SICHERUNG FUSIBLE	
8	228004	FUSIBILE 5X20 4A FAST FUZE SICHERUNG FUSIBLE	
9	220011	MORSETTIERA 5 POLI CON MORSETTO DI MESSA 5 POLES TERMINAL BOARD WITH EARTHING TER FUENFPOLIGE KLEMMLEISTE + ERDUNGSKLEMME PLAQUE A BORNE 5 POLES AVEC BORNE DE TER	
10	DEP521	PRESSACAPO PG21 (BER 4721) CABLE-WEIGHT KABELBESCHWERER PRESSE-CABLE	
12	CWP2	PIEDINI SUPPORTO SCHEDA ELET.(ART.DRA6A) FOOT FUSS PIED	
13	80933	CAVO FLAT COMANDI SUPERIORI CAPOT CABLE FLAT CAPOT KABEL FLAT TRISSE LIAISON	
14	80900	TASTIERA COMANDI PER LAVASTOVIGLIE CONTROL KEYBOARD FOR DISHWASHERS BEDINGUNGEN-TESTENBRETT FUER GESHIRRSPUE TABLEAU A POUSSOIRS COMMANDES POUR LAVE	
15	417119	DADO M3 PLASTICA BIANCO NUT M3 NYLON MUTTER M3 NYLON ECROU M3 NYLON	
16	419036	DISTANZIALE M3 INTERFACE BOARD DISTANCE KEEPERS ABSTANDSROHR ENTRETOISE X CARTE ELECTRONIQUE	
17	231014	SONDA TEMPERATURA GET-5 TEMP. PROBE KUGEL SONDE	
18	42124	PANNELLO ANTERIORE LP201 COMPLETO	
19	41511	POLIESTERE LOD 202-302-304-305	
20	69810	TENDINA COPERTURA TASTIERA PANNELLO CURTAIN VORHANG RIDEAU	

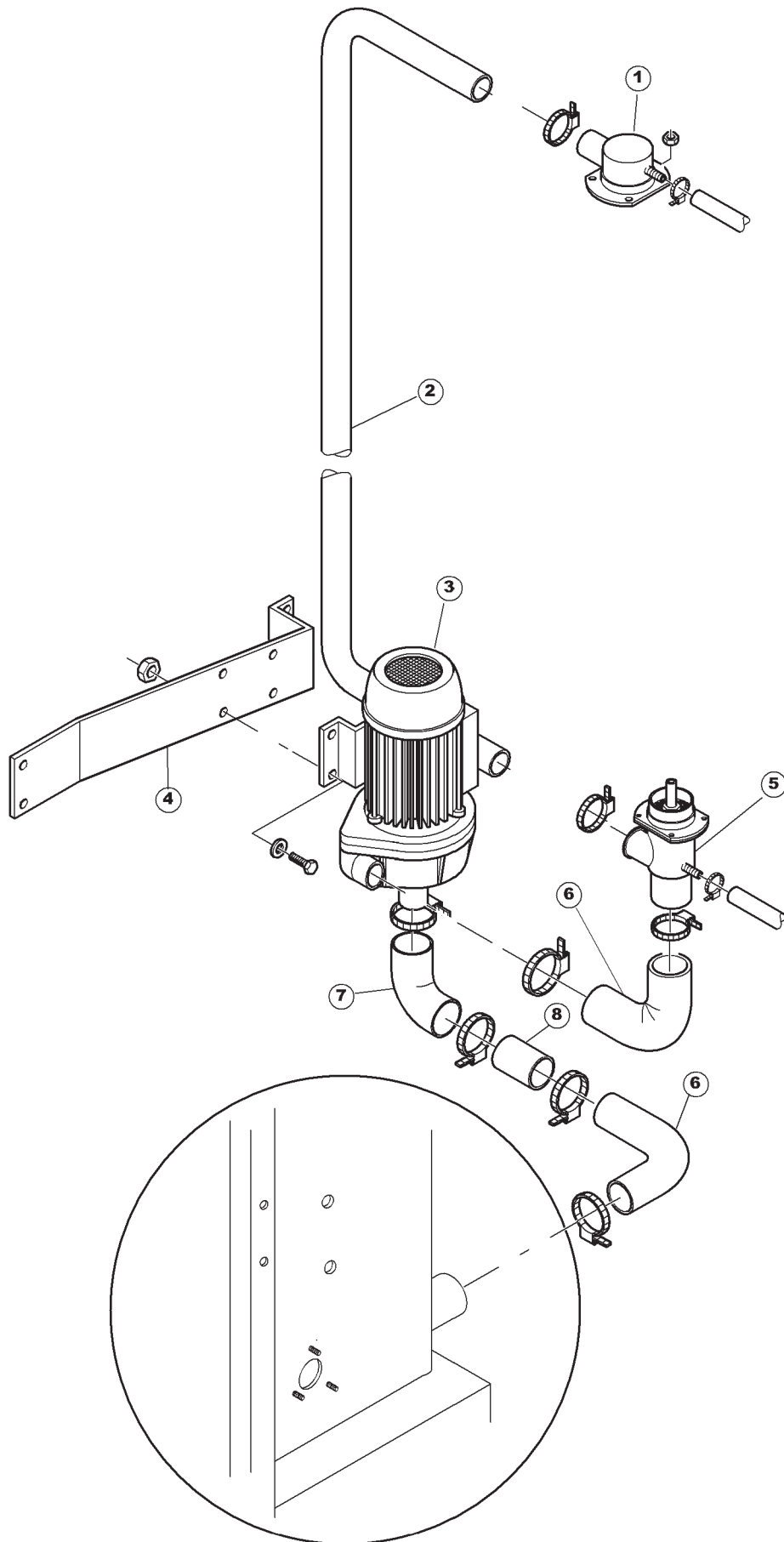




## Pagina 3

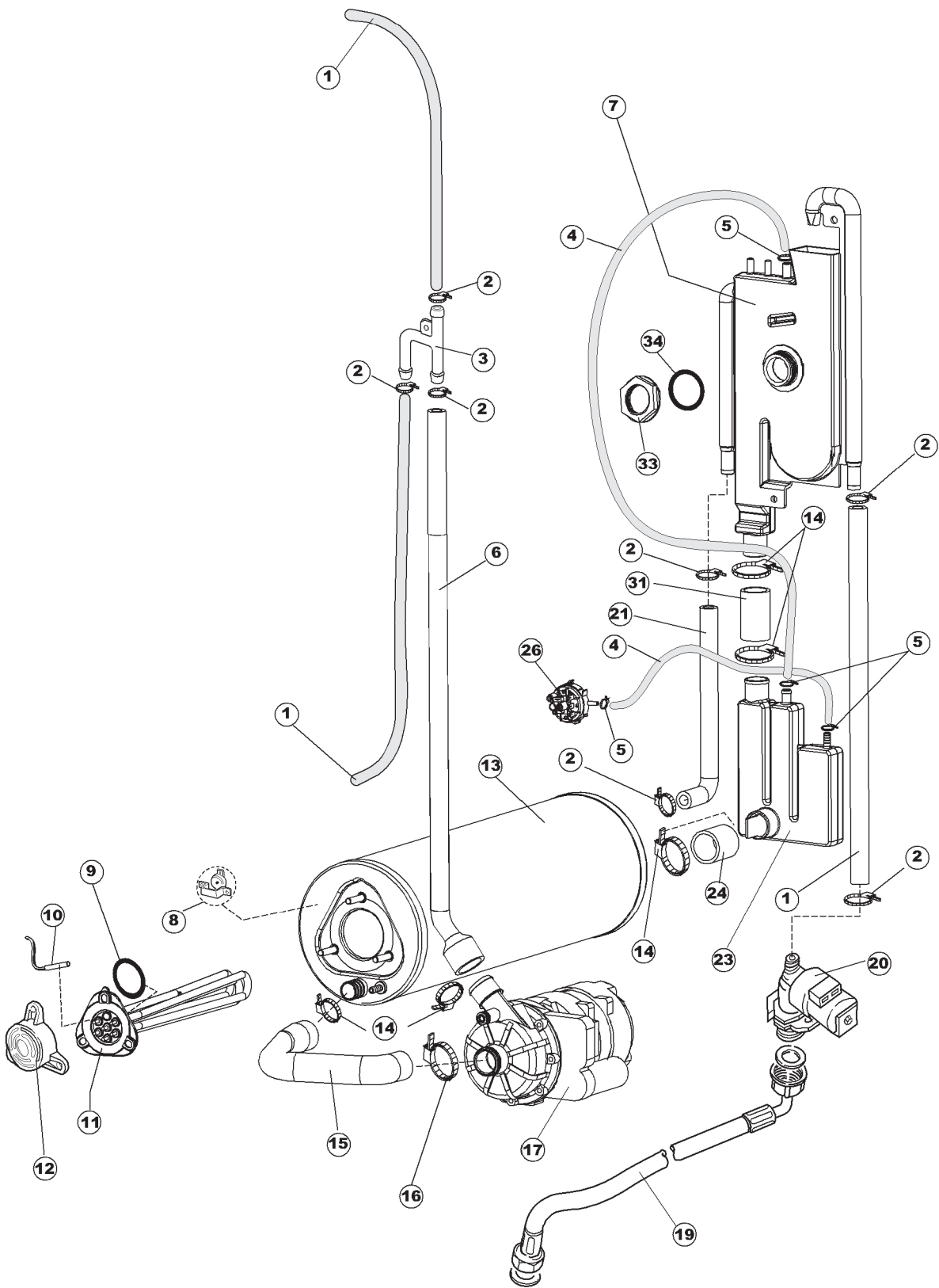
1	472061	RONDELLA X GUIDA CESTO CL.3 FIXING WASHER (RACK TRACK) UNTERLEGSSCHEIBE BEFESTIGUNG KORBFUEHRUNG RONDELLE FIX. GLISSIERES PN X3	
2	42092	GUIDA FILTRO ASPIRAZIONE PER LAVAPENTOLE ASPIRATION FILTER SLIDE FOR POT AND PAN ABSAUGSPUMPENSIEB FUER KOCHTOEPFESPUELER GUIDE FILTRE ASPIRATION POUR LAVE-CASSER	
3	42089	FILTRO ASPIRAZIONE POMPA PER LAVAPENTOLE ASPIRATION PUMP FILTER FOR POT AND PAN W/ ABSAUGSPUMPENSIEB FUER KOCHTOEPFESPUELER FILTRE ASPIRATION POMPE POUR LAVE-CASSER	
4	42165	FILTRO VASCA COMPLETO PER LAVAPENTOLE TANK FILTER, ASSY FOR POT AND PAN WASHER TANKSIEB, KOMPLETT - FUER KOCHTOEPFESPUE FILTRE CUVE COMPLET POUR LAVE-CASSEROLES	
5	926049	PRESSOSTATO TIPO 180-70 PRESSURE SWTCH TYPE 180-70 (S6533) DRUCKWAECHTER TYP 180-70 PRESSOSTAT TYPE 180-70	
6	143253	TUBO SILICONE 3X8 SILICON PIPE 3X8 SILIKONSCHLAUCH 3X8 TUYAU SILICONE 3X8	
7	CFF10073	FASCETTA A FILO 10073 COLLIER DE SERRAGE EN FIL D'ACIER 10073 SCHLAUGSCHELLE AUS DRAHT 10073 WIRE HOSECLAMP 10073	
8	107012	CAMPANA PRESSOSTATO (L) RV40-50-CAPOTE AIR TRAP WINDKESSEL PRISE D'AIR	
9	437098	GUARNIZIONE NUOVA CAMP.PRESS. PACKING FOR AIR TRAP OF PRESSURE SWITCH DICHTUNG FUER WINDKESSEL DES DRUECKWVAEC JOINT PRISE D'AIRE PRESSOSTAT	
10	417120	DADO PLASTICA GRIGIO PLASTIC NUT KUNSTSTOFFMUTTER 1-1/4 ECROU EN PLASTIQUE	
11	42181	TROPPOPIENO IN ACCIAIO INOSSIDABILE, COM STAINLESS STEEL OVERFLOW PIPE FOR POT AN UEBERLAUFROHR AUS NICHTRSOTENDEM STAHL F TROPPEIN EN ACIER INOXYDABLE , COMPLET	
12	42185	PILETTA COMPLETA IN ACCIAIO INOSSIDABILE DRAIN PIPE, ASSY -STAINLESS STEEL- 1"1/ ABFLUSSROHR, KOMPLETT AUS NICHT ROSTENDE TUYAU DE DRAINAGE COMPLET EN ACIER INOXY	
13	456002	O-RING PER RESISTENZA BOILER O-RING FOR BOILER RESISTANCE (S6218) O-RING FUER HEIZUNG DES WARMWASSER- BERE O-RING RESISTANCE SURCHAUFFEUR	
14	230020C	KIT RESISTENZA REB230020 (8kW) KIT HEATING ELEMENTS REB230020 (8kW) KIT DER HEIZUNGEN REB230020 (8kW) KIT RESISTANCES REB230020 (8kW)	
15	467002	PROTEZIONE RESISTENZA BOILER BOILER HEATING ELEMENT PROTECTION HEIZUNGSCHUETZ DES WARMWASSERBEREITERS PROTECTION RESISTANCE BOILER	
16	143005	TUBO IN GOMMA TELATA 5X12 NERO LINEN RUBBER PIPE 5X12 - BLACK SCHLAUCH AUS LINENGLUMMI 5X12 - SCHWARZ TUYAU EN CAOUTCHOUC LIN 5X12 NOIR	
17	468201	RACCORDO CALZATUBO PER INIEZ.BRILL. CONNECTION ANSCHLUSS RACCORD	

18	468200	RACCORDO ACCIAIO INOX AISI316 1/8" STAINLESS STEEL CONNECTION AISI316 1/8" ANSCHLUSSSTUECK AUS NICHTROSTENDEM STAHL RACCORD EN ACIER INOXYDABLE 1/8"	
19	H.775601	TUBO 4x6 CRISTAL BLUE (FX NUOVA) BLUE HOSE 4X6 LEITUNG 4x6 CRISTAL BLUE TUYAU 4x6 CRISTAL BLUE	
20	121075	FILTRO PER POMPA DETERSIVO DETERGENT PUMP FILTER (S6754) SIEB FUER SPUELMITTEL PUMPE FILTRE POUR POMPE DETERGENT	
21	143194	TUBO TRASPARENTE 4X6 TRANSPARENT HOSE 4X6 DURCHSICHTIGES ROHR 4X6 TUYAU TRANSPARENT 4X6	
22	80675	STAFFA DOSATORI PERISTALTICI BRACKET TRAGBUEGEL ETRIER	
23	209022	DOSAT.PERIST.DETERGENTE NON REG. PERISTALTIC DISPENSER PERISTALTJSCHES DOSIERGERAET DOSEUR PERISTALTIQUE	Optional
24	209024	DOSAT.PERIST.BRILLANTANTE NON REG. PERISTALTIC DISPENSER PERISTALTJSCHES DOSIERGERAET DOSEUR PERISTALTIQUE	Optional
25	468151	RACCORDO IN ACCIAIO INOSSIDABILE DI ENTR STAINLESS STEEL INLET DETERGENT ELBOW, A ANSCHLUSSSTUECK AUS NICHTROSTENDEM STAHL RACCORD EN ACIER INOXYDABLE ENTREE' DETE	



## Pagina 4

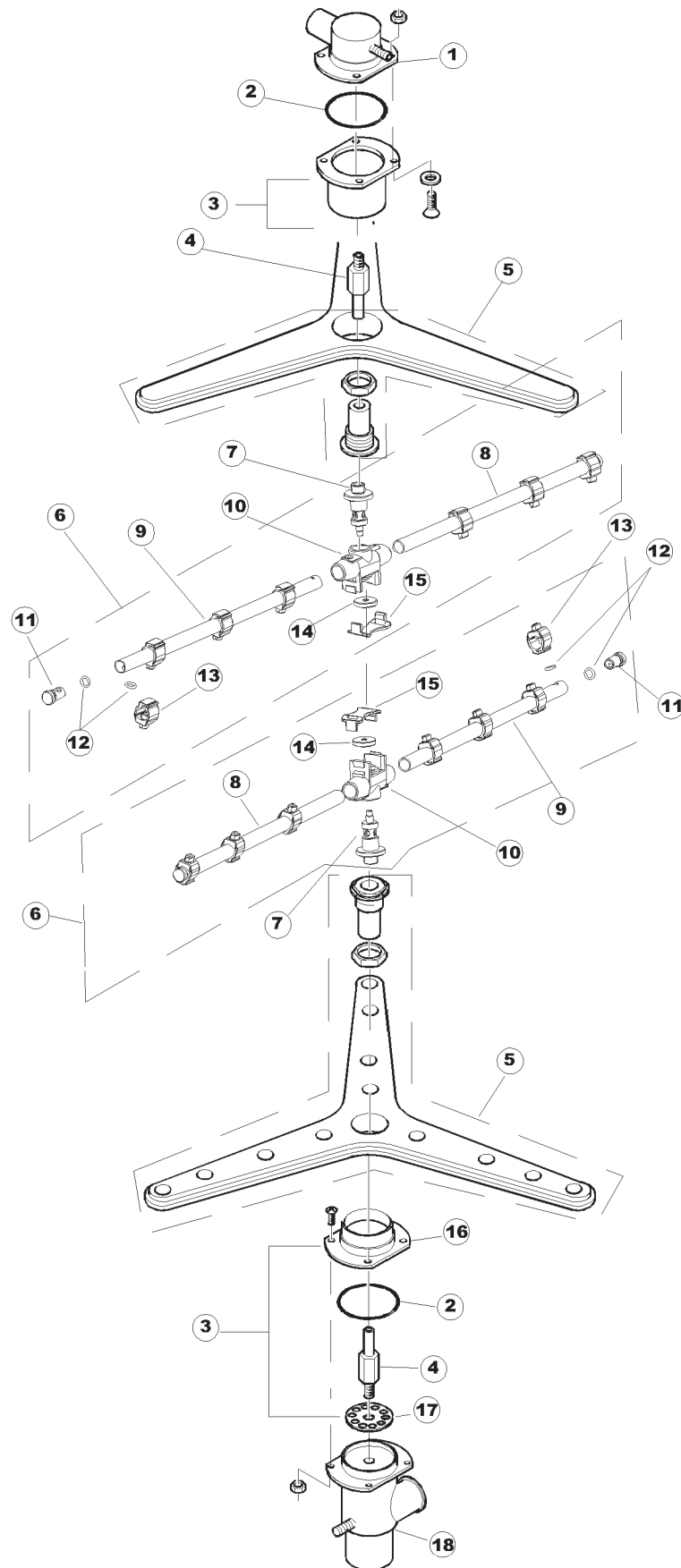
1	4205901	RACCORDO LANCIA DI LAVAGGIO SUPERIORE, CONNECTION WASH ARM - UPPER, ASSY FOR PO WASCHARMVERBINDUNGSSTUECK - OBEN - FUER RACCORD RAMPE DE LAVAGE SUPERIEUR, COMPL	
2	43555	TUBO PIPE ROHR TUYAU	
3	929174	ELETTROPOMPA 4HP 230/400-50 ELECTROPUMP 4HP 230/400-50 (2250/C) MOTORPUMPE 4HP 230/400-50 MOTOPOMPE 4HP 230/400-50	
5	4206301	RACCORDO LANCIA DI LAVAGGIO INFERIORE PE WASH-ARM CONNECTION - LOWER - FOR POT AN ANSCHLUSSTUECK FUER WASCHARM - UNTEN - K RACCORD RAMPE DE LAVAGE INFERIEURE POUR	
6	929164	GOMITO IN GOMMA P2703 SAIAG RUBBER ELBOW HOSE P2703 SAIAG (A2149) SCHLAUCHBOGEN AUS GUMMI P2703 SAIAG DURITE'A COUDE EN CAOUTCHOUC P703 SAIAG	
7	926056	GOMITO D'ASPIRAZIONE IN GOMMA PER RUBBER SUCTION ELBOW HOSE FOR HOOD-TYPE ABSAUGSCHLAUCHBOGEN AUS GUMMI FUER DURITE' D'ASPIRATION A COUDE EN CAOUTCHO	
8	929165	TRONCHETTO IN ACCIAIO INOSSIDABILE D60 M STAINLESS STEEL PIPE D60 MM.92 SCHLAUCHSTUECK AUS NICHTROSTENDEM STAHL PIECE TUYAU EN ACIER INOXYDABLE D60 MM.9	



## Pagina 5

1	143010	TUBO IN GOMMA 12X19,5 RUBBER PIPE 12X19,5 GUMMISCHALUCH 12X19,5 TUYAU EN CAOUTCHOUC 12X19,5	
2	927322	FASCETTA NASTRO 12-22 TAPE CLAMP 12-22 BANDSCHELLE 12-22 COLLIER POUR BANDE 12-22	
3	143173	GIUNZIONE DI RISCIAQUO Y-JUNCTION RINSE MANIFOLD Y-STUECK RACCORD DE RINCAGE	
4	143005	TUBO IN GOMMA TELATA 5X12 NERO LINEN RUBBER PIPE 5X12 - BLACK SCHLAUCH AUS LINENGUMMI 5X12 - SCHWARZ TUYAU EN CAOUTCHOUC LIN 5X12 NOIR	
5	423010	FASCETTA A VITE TORRO W2 8 -12/7 SCREW-CLAMP TORRO W2 8-12/7 SCHRAUBE-SHELLE TORRO W2 8-12/7 COLLIER A VIS TORRO W2 8-12/7	
6	41525	TUBO MANDATA RISCIAQUO (CRP) RINSE DELIVERY TUBE(CRP) NACHSPUEL-FOERDERLEITUNG (CRP) TUYAU DE REFOULEMENT RINAGE (CRP)	
7	144021	AIRGAP SPECIALE LA50 PLASTIC AIRGAP AIR GAP GEOFFNETER BEHAELTER AIRGAP SPECIAL LA50	
8	926189	TERMOSTATO DI SICUREZZA A CONTATTO (2360) CONTACT SAFETY-THERMOSTAT (REPLACES FORM KONTAKT-SICHERUNGSTHERMOSTAT (236039) THERMOSTAT DE SURETE' A CONTACT (236039)	
9	456002	O-RING PER RESISTENZA BOILER O-RING FOR BOILER RESISTANCE (S6218) O-RING FUER HEIZUNG DES WARMWASSER- BERE O-RING RESISTANCE SURCHAUFFEUR	
10	231014	SONDA TEMPERATURA GET-5 TEMP. PROBE KUGEL SONDE	
11	230020C	KIT RESISTENZA REB230020 (8kW) KIT HEATING ELEMENTS REB230020 (8kW) KIT DER HEIZUNGEN REB230020 (8kW) KIT RESISTANCES REB230020 (8kW)	
12	467002	PROTEZIONE RESISTENZA BOILER BOILER HEATING ELEMENT PROTECTION HEIZUNGSSCHUETZ DES WARMWASSERBEREITERS PROTECTION RESISTANCE BOILER	
13	104061	BOILER CRP LA50 BOILER CRP BOILER CRP SURCHAUFFEUR CRP	
14	CFS18	FASCETTA A VITE TORRO 20-32/9 CLAMP 20-32/9 SHELLE COLLIER 20-32/9	
15	69068	MANICOTTO ASPIRAZ.CRP LA50 INTAKE COUPLING LA50 SAUGMUFFE LA50 MANCHON D'ASPIRATION	
16	423008	FASCETTA A VITE TORRO 25-40/9 SCREW CLAMP TORRO 25-40/9 SCHRAUBE-SHELLE TORRO 25-40/9 COLLIER A VIS TORRO 25-40/9	
17	80627	ELETTROPOMPA 200W 230V-1PH-50HZ PUMP PUMPE POMPE	

19	929169	TUBO DI CARICO TERMOPLASTICO VDE (3/4 X THERMOPLASTIC INLET HOSE VDE (A2096) THERMOPLASTISCHER ZULAUFSCHLAUCH VDE TUYAU DE CHARGEMENT THERMOPLASTIQUE VDE	
20	240018	ELETTRORVALVOLA DI CARICO - 1 VIA CRP ONE-WAY "CRP" FILL SOLENOID VALVE "CRP" WASSERZUFUHR-EINWEGMAGNETVENTIL ELECTROVANNE D'ALIMENTATION "CRP"	
21	127098	MANICOTTO SFIATO BOILER CRP->BT COUPLING LA50 MUFFE LA50 MANCHON LA50	
23	144027	SISTEMA CARICAMENTO CRP PLASTIC AIRGAP AIR GAP GEOFFNETER BEHAELTER	
24	127095	MANICOTTO BOILER->SISTEMA CRP	
26	224002	PRESSOSTATO 110-60 PRESSURE SWTCH TYPE 110-60 DRUCKWAECHTER 110/60 PRESSOSTAT 110/60	
31	929171	TUBO IN GOMMA 20X30 RUBBER PIPE 20X30 GUMMISCHALUCH 20X30 TUYAU EN CAOUTCHOUC 20X30	
33	417125	DADO IN PLAST .CON COLLARE(171571) NUT MUTTER ECROU	
34	437104	GUARNIZIONE D45D33S2 EPDM 70SH RUBBER GASKET DICHTUNG JOINT	

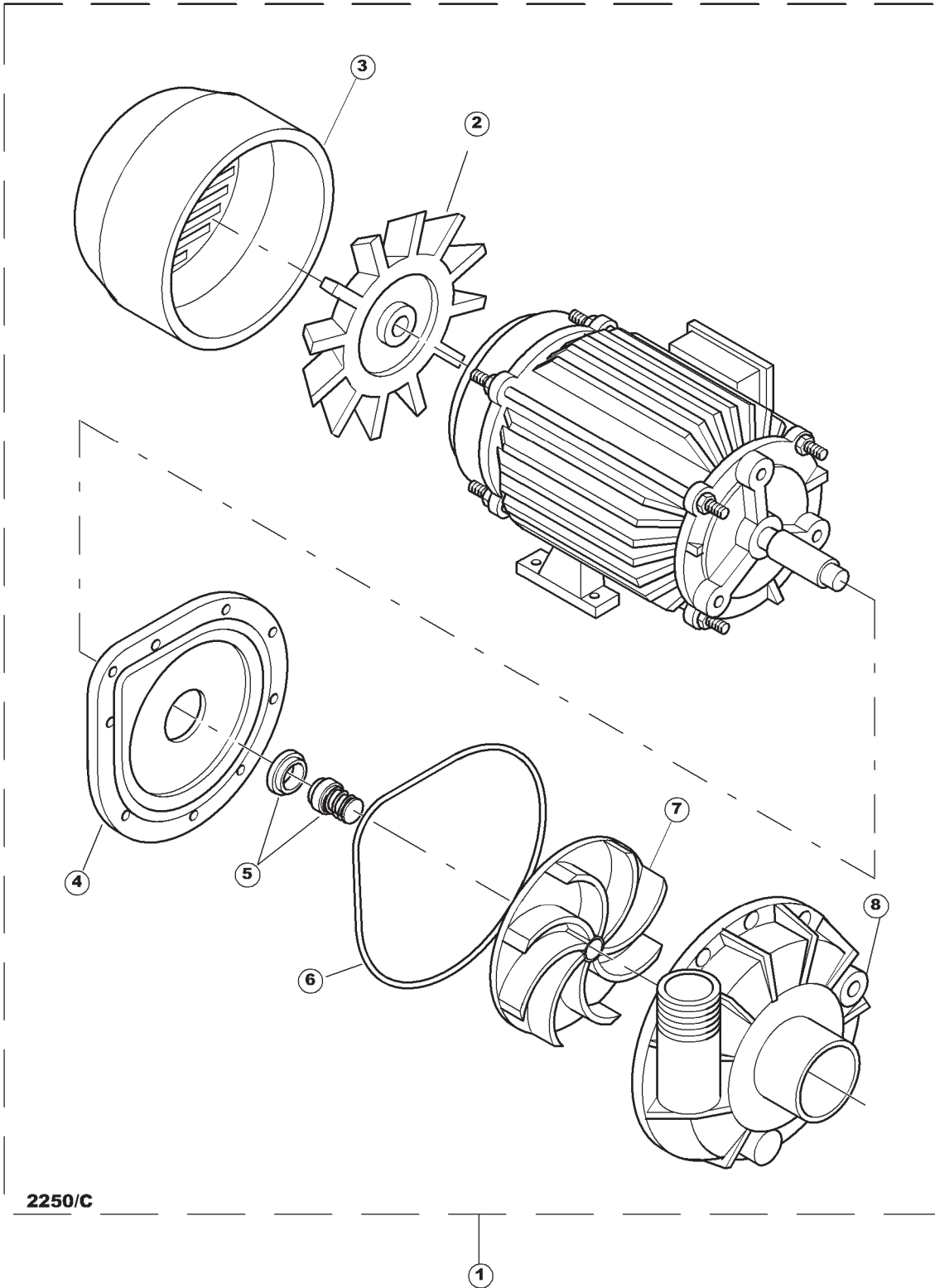




## Pagina 6

1	4205901	RACCORDO LANCIA DI LAVAGGIO SUPERIORE, CONNECTION WASH ARM - UPPER, ASSY FOR PO WASCHARMVERBINDUNGSSTUECK - OBEN - FUER RACCORD RAMPE DE LAVAGE SUPERIEUR, COMPL	
2	926252	O-RING 4275/3.53 (69,44X3,53NBR) O-RING 4275/3.35 (69,44X3,53 NBR) DICHRING 4275/3.53 (69,44X3,53 NBR) BAGUE D'ETANCHEITE' 4275/3.53 (69,44X3,5	
3	41064CP	CONTROFLANGIA SUPPORTO LANCIA DI LAVAGGI SUPPORT COUNTER-FLANG OF WASH ARM OF POT GEGENFLANSCH DES HALTERS FUER WASCHARM D CONTRE-BRIDE SUPPORT RAMPE DE LAVAGE POU	
4	42053	PERNO LANCIA DI LAVAGGIO INFERIORE PER PIN FOR LOWER WASH ARM FOR POT AND PAN W ZAPPEN FUER WASCHARM - UNTEN FUER KOCHTO PIVOT POUR RAMPE DE LAVAGE INFERIEURE PO	
5	929196	LANCIA DI LAVAGGIO A 3 BRACCI GIREVOLE G ROTATING WASHING UNIT WITH 3 ARMS - BIG DREHWASCHHEINHEIT MIT 3 ARMEN - GROSS - F TOURNIQUET DE LAVAGE A 3 BRAS GRAND POUR	
6	42211	LANCIA GIREVOLE DI RISCIAQUO PER LAVAPE ROTATING WASH ARM FOR POT AND PAN WASHER DREHWASCHARM FUER KOCHTOEPFESPUELER TOURNIQUET DE RINCAGE POUR LAVE-CASSEROL	
7	80380	PERNO LANCIA GIREVOLE REVOLVING ARM SPINDLE DREHARMSPINDEL PIVOT DE TOURNIQUET	
8	42208	BRACCIO DESTRO RISCIAQUO LANCIA RINSE ARM - RIGHT - FOR ROTATING WASH BRAS DROIT DE RINCAGE TOURNIQUET POUR NACHSPUELUNGSARM - RECHTS - FUER DREHWAS	
9	42209	BRACCIO SINISTRO RISCIAQUO LANCIA RINSE ARM - LEFT - FOR ROTATING WASH NACHSPUELUNGSARM - SX- FUER DREHWASCHARM BRAS GAUCHE DE RINCAGE TOURNIQUET POUR	
10	80371	CORPO LANCIA GIR RISC ARM BODY KOERPER DES DREHWASCH-UND-NACHSPUELARMES CORPS BRAS	
11	926132	TAPPO PL X BRACCIO DI RISC.(DWT312) PLASTIC RINSE ARM CAP ZAPPEN EMBOUT EN PLASTIQUE POUR RAMPE DE RINC.	
12	456060	OR 2025 O-RING 2025 O-RING 2025 JOINT THORIQUE 2025	
13	80373	SPRUZZATORE RISCIAQUO RINSE SPRAYER NACHSPUELUNGS-SPRITZER VAPORISATEUR RINCAGE	
14	80365	GHIERA PERNO IN ACCIAIO INOSSIDABILE PER STAINLESS STEEL RING NUT FOR RINSE MANIF EDELSTAHL NUTMUTTER DES NACHSPUEL- EMBOUT FILET* EN ACIER INOX POUR PIVOT D	
15	80374	PONTICELLO RISC. + CORPO LANCIA 80371 BRACKET + ARM BODY 80371 BRUCHLEIN + KOERPER DES DREHWASCH PONTET + CORPS BRAS 80371	
16	41064	CONTROFLANGIA SUPPORTO LANCIA DI LAVAGGI SUPPORT COUNTER-FLANGE OF WASH ARM OF PO GEGENFLANSCH DES HALTERS FUER WASCHARM D CONTRE-BRIDE SUPPORT RAMPE DE LAVAGE POU	
17	41185	PARZIALIZZATORE PER LAVAPENTOLE REDUCER FOR POT AND PAN WASHER VERMINDERER FUER KOCHTOEPFESPUELER REDUCTEUR POUR LAVE-CASSEROLE	

18	4206301	RACCORDO LANCIA DI LAVAGGIO INFERIORE PE WASH-ARM CONNECTION - LOWER - FOR POT AN ANSCHLUSSTUECK FUER WASCHARM - UNTEN - K RACCORD RAMPE DE LAVAGE INFERIEURE POUR	
----	---------	---	--



2250/C

## Pagina 7

1	929174	ELETTROPOMPA 4HP 230/400-50 ELECTROPUMP 4HP 230/400-50 (2250/C) MOTORPUMPE 4HP 230/400-50 MOTOPOMPE 4HP 230/400-50	
2	929189	VENTOLA PER ELETTROPOMPA 2250 WASHPUMP FAN 2250 LAUFRAD FUER MOTORPUMPE 2250 HELICE POUR MOTOPOMPE 2250	
3	929188	COPRIVENTOLA PER ELETTROPOMPA 2250 ELECTROPUMP FAN COVER 2250 LAUFRAD-DECKEL FUER MOTORPUMPE 2250 COUVRE-HELICE POUR MOTOPOMPE 2250	
4	929190	FLANGIA PER ELETTROPOMPA 2250 ELECTROPUMP FLANGE 2250 FLANSCH FUER MOTORPUMPE 2250 BRIDE POUR MOTOPOMPE 2250	
5	929179	TENUTA MECCANICA PER ELETTROPOMPA 2250 WASHPUMP SHAFT SEAL FOR ELECTROPUMP 2250 MECHANISCHE DICHTUNG FUER MOTORPUMPE 225 ETANCHEITE' POUR MOTOPOMPE 2250	
6	929180	GUARNIZIONE PER ELETTROPOMPA 2250 ELECTROPUMP PACKING 2250 DICHTUNG FUER MOTORPUMPE 2250 JOINT POUR MOTOPOMPE 2250	
7	929181	GIRANTE PER ELETTROPOMPA 2250/75-2250 ELECTROPUMP IMPELLER 2250/75-2250 FLUEGELRAD FUER MOTORPUMPE 2250/75- 22 TURBINE POUR MOTOPOMPE 2250/75-2250	
8	929191	CHIOCCIOLA PER ELETTROPOMPA 2290/2250 ELECTROPUMP 2290/2250 PUMPENGEHAEUSE 2290/2250 VOLUTE POUR MOTOPOMPE 2290/2250	