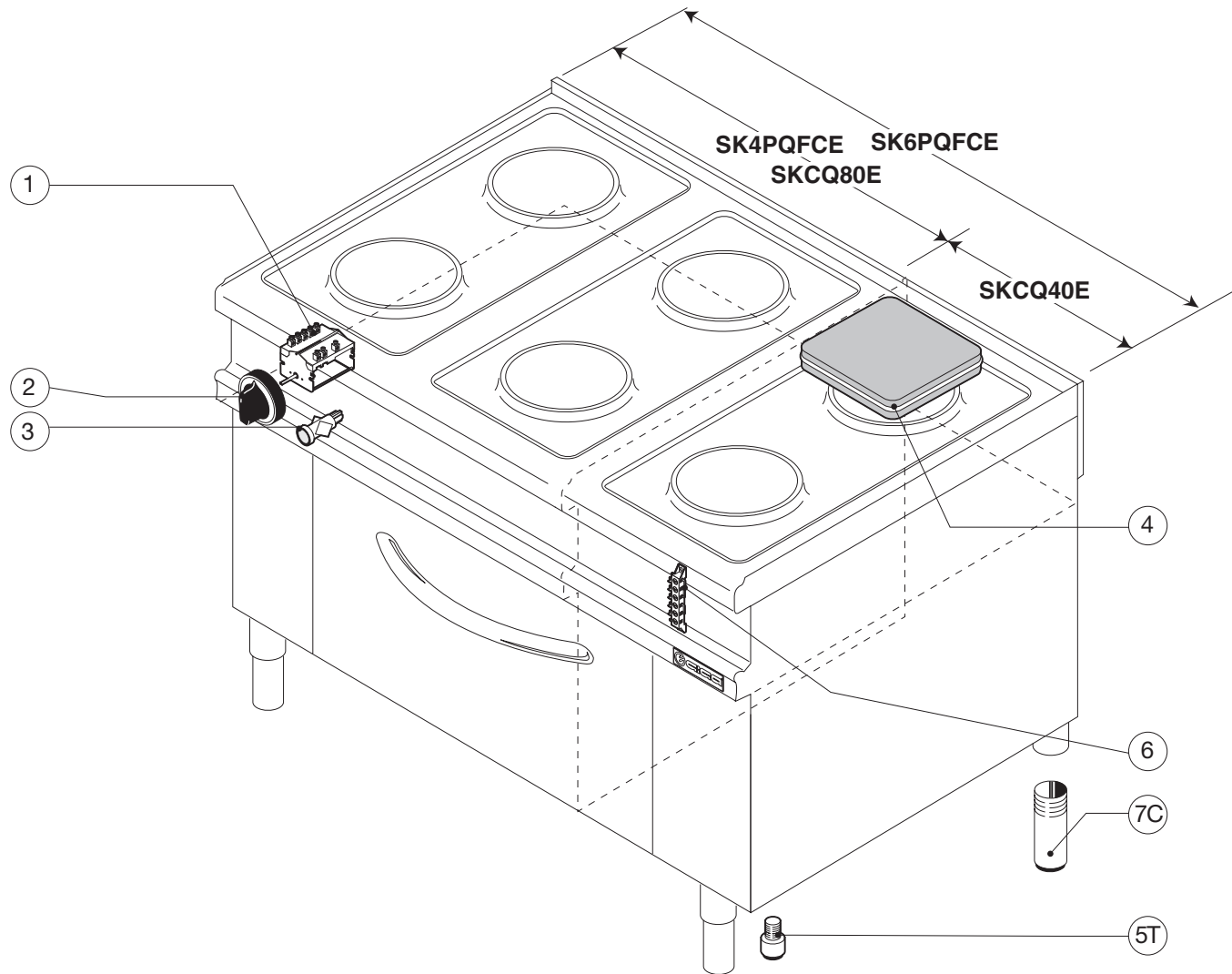


2.6 kW	2.6 kW	2.6 kW
2.6 kW	2.6 kW	2.6 kW

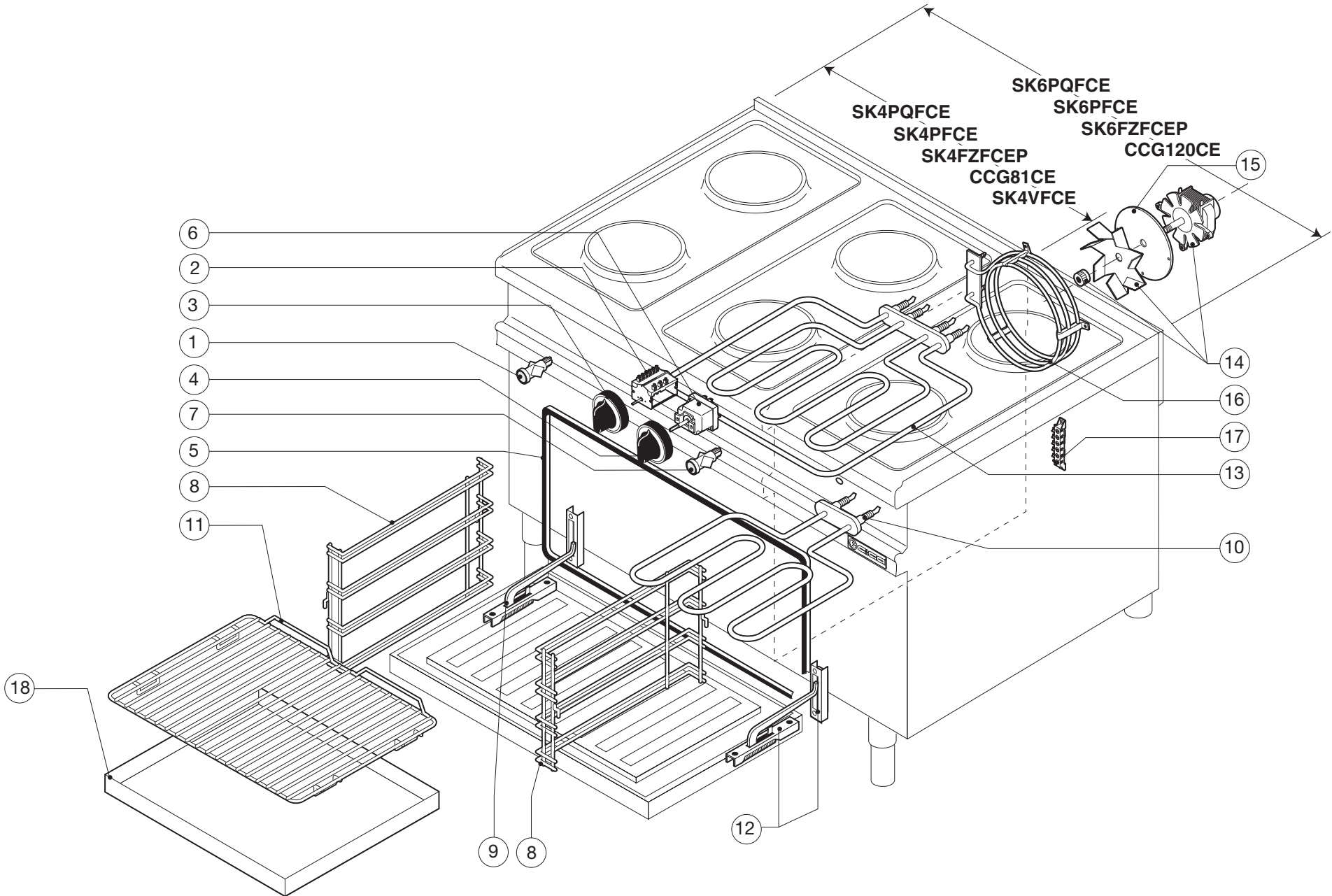
SKCQ40E SKCQ80E
SK4PQFCE

2.6 kW	2.6 kW	2.6 kW
2.6 kW	2.6 kW	2.6 kW

SK6PQFCE



Pezzi/Pieces Pieces/Anzahl			Pos.	Validità dalla matricola Validity from serial number Validité du numéro matricule Gültigkeit ab der (Seriennummer)	Validità alla matricola Validity up to serial number Validité au numéro matricule Gültigkeit bis zur (Seriennummer)	Codice Code Code Artikel Nummer	Descrizione	Description	Description	Beschreibung
SKCQ40E	SKCQ80E SK4PQFCE*	SK6PQFCE								
2	4	6	1			X54100	Commutatore 7 posizioni	7-Pos. selector switch	Commutateur 7 positions	7 Positionenschalte
2	4	6	2			0000Y65005	Manopola per piastre	Plate knob	Cle de commande plaques	Drehknopf für platten
2	4	6	3			X50900	Lampada verde	Green light	Lampe vert	Grüne Kontrollampe
2	4	6	4			X45500	Piastra 2600 W	Plate 2600 W	Plaque 2600 W	Platte 2600 W
4	4/0*		5T			M06400	Piedino	Foot	Pied	Fuss
1	1	1	6			X59000	Morsettiera	Terminal board	Barrette de raccordement	Klemmleiste
	0/4*	4	7C			X61000	Piedino	Foot	Pied	Fuss



N.B.: La tavola si completa con la successiva n° - See table No. - Voir tableau n° - Wichtig: S. folgender Plan Nr.

• 3E07-009
SK4VFCE

• 3E07-030
CCG81CE
CCG120CE

• 3E07-005
SK4FZFCEP
SK6FZFCEP

• 3E07-003
SK4PFCE
SK6PFCE

• 3E07-004
SK4PQFCE
SK6PQFCE

3E07-007

CCG81CE - CCG120CE
SK4FZFCEP - SK6FZFCEP
SK4PFCE - SK6PFCE
SK4PQFCE - SK6PQFCE
SK4VFCE



Pezzi/Pieces Pieces/Anzahl		Validità dalla matricola Validity from serial number Validité du numéro matricule Gültigkeit ab der (Seriennummer)	Validità alla matricola Validity up to serial number Validité au numéro matricule Gültigkeit bis zur (Seriennummer)	Codice Code Artikel Nummer	Descrizione	Description	Description	Beschreibung
CCG81CE - CCG120CE SK4FZFCEP - SK6FZFCEP SK4PFCE - SK6PFCE SK4PQFCE - SK6PQFCE SK4VFCE	Pos.							
1	1			X50900	Lampada verde	Green light	Lampe vert	Grüne Kontrolllampe
1	2			X68204	Commutatore	Selector switch	Commutateur	Schalter
1	3			0000Y65008	Manopola commutatore	Selector knob	Bouton commutateur	Umschaltknopf
1	4			0000Y65004	Manopola temperatura	Temperature knob	Cle de commande temper	Drehknopf temp.
1	5			1000X05600	Guarnizione porta	Door seal	Joint porte	Türdichtung
1	6			X68205	Termostato	Thermostat	Thermostat	Thermostat
1	7			X41200	Lampada gialla	Yellow light	Lampe jaune	Gelbe Kontrolllampe
2	8			V05900	Reggigriglia sx/dx	R.H./L.H. Grid support	Appui grille gauche/droite	Rostauflegeschiene L.R.
1	9			X66100	Cerniera sx	L.H. Hinge	Charniere gauche	Scharnier links
1	10			X68203	Resistenza inferiore	Bottom resistance	Résistance inferieure	Unterer Resistenz
1	11			G11PF	Griglia	Grid	Grille	Rost
1	12			X66000	Cerniera dx	R.H. Hinge	Charniere droite	Scharnier rechts
1	13			X68202	Resistenza superiore	Top resistance	Résistance superieure	Oberer Resistenz
1	14			V03000	Motoventilatore	Electric fan	Moto-ventilateur	Motorventilator
1	15			V05400	Isolamento	Insulation	Isolation	Isolierung
1	16			X68002	Resistenza	Resistance	Résistance	Resistenz
1	17			X59200	Morsettiera	Terminal board	Barrette de raccordement	Klemmleiste
1	18			V05700	Suola forno	Oven floor	Sole four	Boden Ofen