

ID150, ID200 and ID250 Service Parts

This is the parts list for ice dispensers, models ID150, ID200 and ID250.

Check voltage of unit parts are being ordered for to be sure of obtaining the correct part.

Table of Contents

Cabinet & Dispenser Parts, ID150	Page 2
Cabinet & Dispenser Part Numbers, ID150	Page 3
Cabinet & Dispenser Parts, ID200 and ID250	Page 4
Cabinet & Dispenser Part Numbers, ID200 and ID250	Page 5
Rotary Solenoid	Page 6
Electrical Box, ID150	Page 7
Electrical Box, ID200 and ID250	Page 8
Schematic Diagram	Page 9

ID150, ID200 and ID250 Service Parts

Cabinet & Dispenser Parts, ID200 and ID250

Adapter Parts:

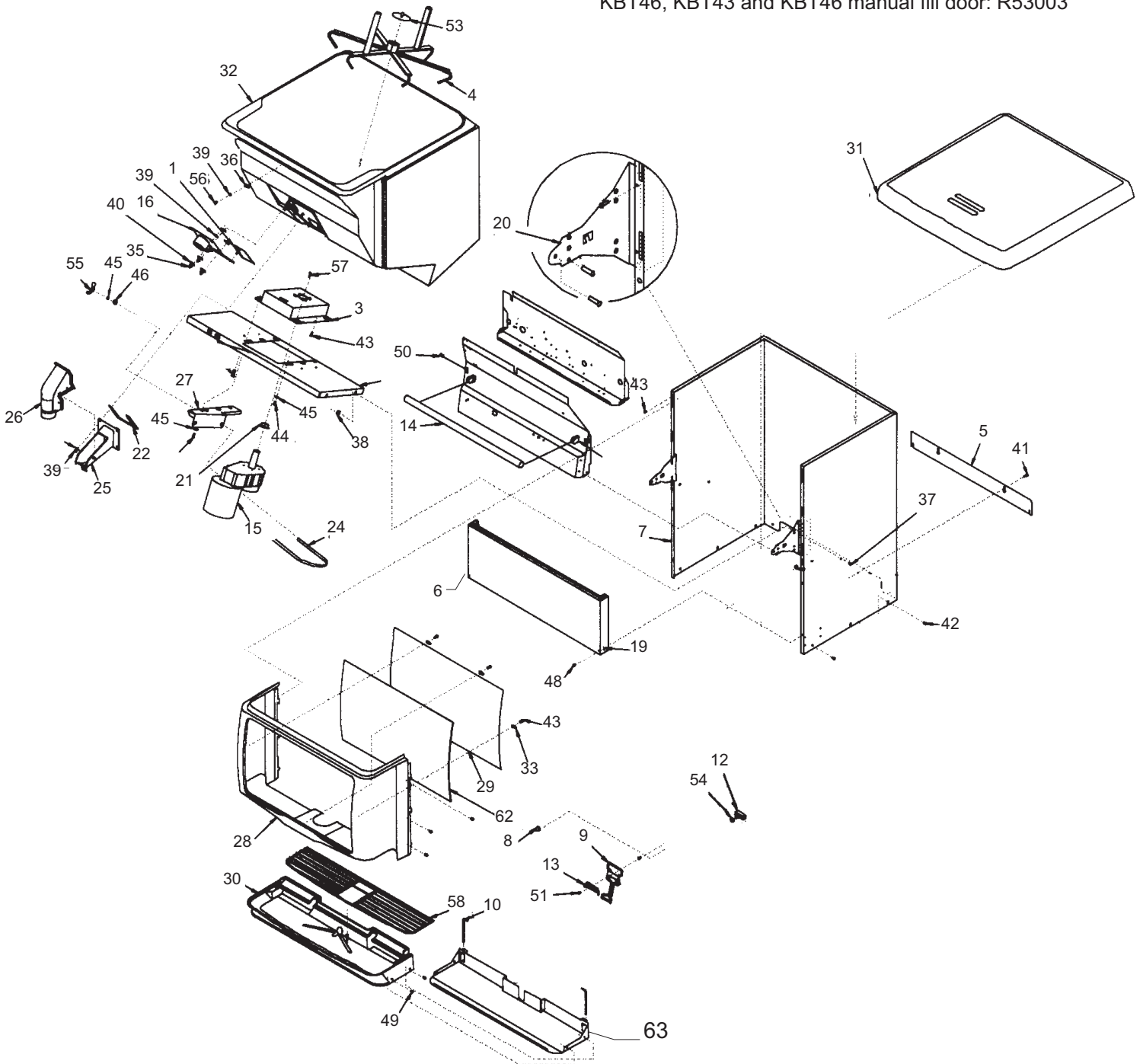
R620042921 - baffle used on KBT40, no hardware needed

R620042913 - baffle used on KBT41, no hardware needed

*R620042927 - baffle used on KBT43, 44, and 46.

*Use 2 each of hardware R620701903, R620701901, and R620701902 to attach the baffle.

KBT46, KBT43 and KBT46 manual fill door: R53003



ID150, ID200 and ID250 Service Parts

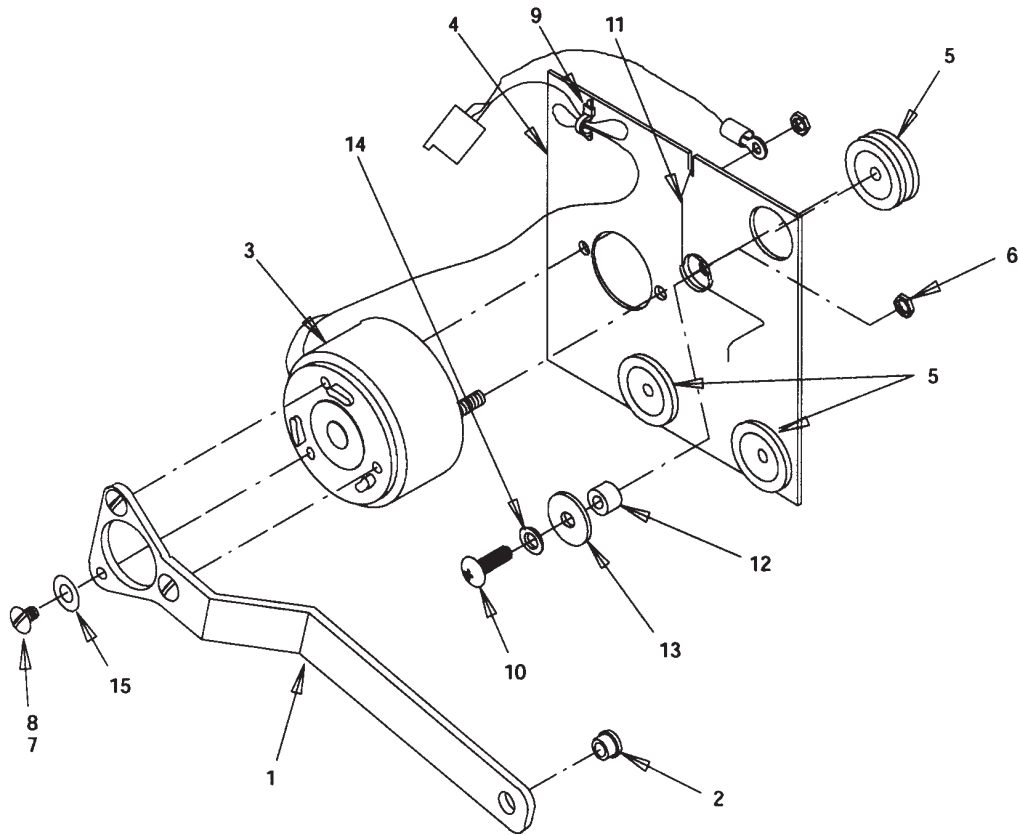
Cabinet & Dispenser Part Numbers, ID200 and ID250

Item No.	Part No.	Description	Item No.	Part No.	Description
			30	R629087535	Drip Tray, Gray, Insulated, includes items 10 and 63
1	R21491	Slide, Gate	31	R53018	Lid, Dispenser, Gray
*2	R22081R	Restrictor, Gate	32	R53292	Hopper Ass'y, Insul (ID250)
3	R29541R	Plate, Motor Mount		R53290	Hopper Ass'y, Insul (ID200)
4	R29694	Agitator	33	R52972	Tab, Retaining
5	R29555	Cover, Rear Wrapper	34	R70016	Hex Nut, No. 10-32
6	R629080208	Panel, Lower Front	35	R70017	Hex Nut, No. 10-32, Nyloc
7	R629088543	Cabinet - ID200	36	R53299	Tab, Retaining
	R629088544	Cabinet - ID250	37	R70242	Screw, No. 10-32 By 3/8-In.
8	R31007	Boot, Switch	38	R70015	Hex Nut, No. 10-32, Keps
9	R15500	Dispense Lever, Short	39	R0056	Washer, No. 10
10	R10145	Pin, Drip Tray	40	R70067	Washer,
*11	R30794	Agitator Motor Heater 115 V	41	R70171	Screw, No. 8-32 By 3/8-In.
12	R30895	Dispense Switch	42	R70178	Screw, No. 8-32 By 1/2-In.
13	R27107	Retainer, Ice Dispense lever	43	R70204	Screw, No. 8 By 1/2-In. Long
14	R31928	Bulb, Fluorescent	44	R71033	Screw, 3/8-16 By 3/4-In. Long
15	R33387	Agitator Motor 120 Volt	45	R70068	Washer
	R33404	Agitator Motor 220-240 Volt	46	R71061	Washer,
16	R32954	Solenoid Ass'y 120 Volt	47	R70341	Spring, Motor Heater
	R33409	Solenoid Ass'y 220-240 Volt	48	R71006	Screw, No. 8-32 By 1 1/8-In.
17	R620302501	Elec Box Ass'y, 120V ID 200	49	R70478R	Clip, Push-on
	R620302502	Elec Box Ass'y, 120V ID 250	50	R620022801	Brace, Reflector
	R620310201	Elec Box Ass'y, 230V ID 200	51	R620701601	Sheet Mtl Screw, #10 x 1/2.
	R620310202	Elect Box Ass'y, 230V ID 250	*52	R71011	Leg
18	R29542	Bracket, Motor Mount	53	R15087	Retainer, Agitator
19	R71010	Washer, Captivating No. 8	54	R70847	Spacer, Switch
20	R620019701	Hinge Gusset	55	R71059	Wing Nut, 3/8-16
21	R53199	Seal, Motor	56	R71089	Shoulder Screw, No. 8-32
22	R1891	Gasket, Gate	57	R71028	Shoulder Screw, 1/4-20
*23	R51908	Plug	58	R71039	Cup Rest
24	R71025	Strap, Motor	*59	R51288	Adapter, 1-In. Barb By 3/4 MPT (For Drip Tray Drain)
25	R620500901	Ice Chute	*60	R50952	Adapter, 3/4 Soc By 3/4 FPT (For Drip Tray Drain)
26	R53168	Ice Chute Cover	*61	R70750	Hose Clamp (For Drip Tray Drain)
27	R15132	Motor Mount	62	see Sales	Graphic, ID200
28	R53001	Merchandiser, Gray (ID250)		see Sales	Graphic, ID250
	R53000	Merchandiser, Gray, (ID200)	63	R620028702	Drip tray extension
	R15754	Merchandiser, S.S., (ID250)			
	R15755	Merchandiser, S.S., (ID200)			
29	R52950	Panel, Inner (250)			
	R52949	Panel, inner (200)			

* Not shown

ID150, ID200 and ID250 Service Parts

Rotary Solenoid

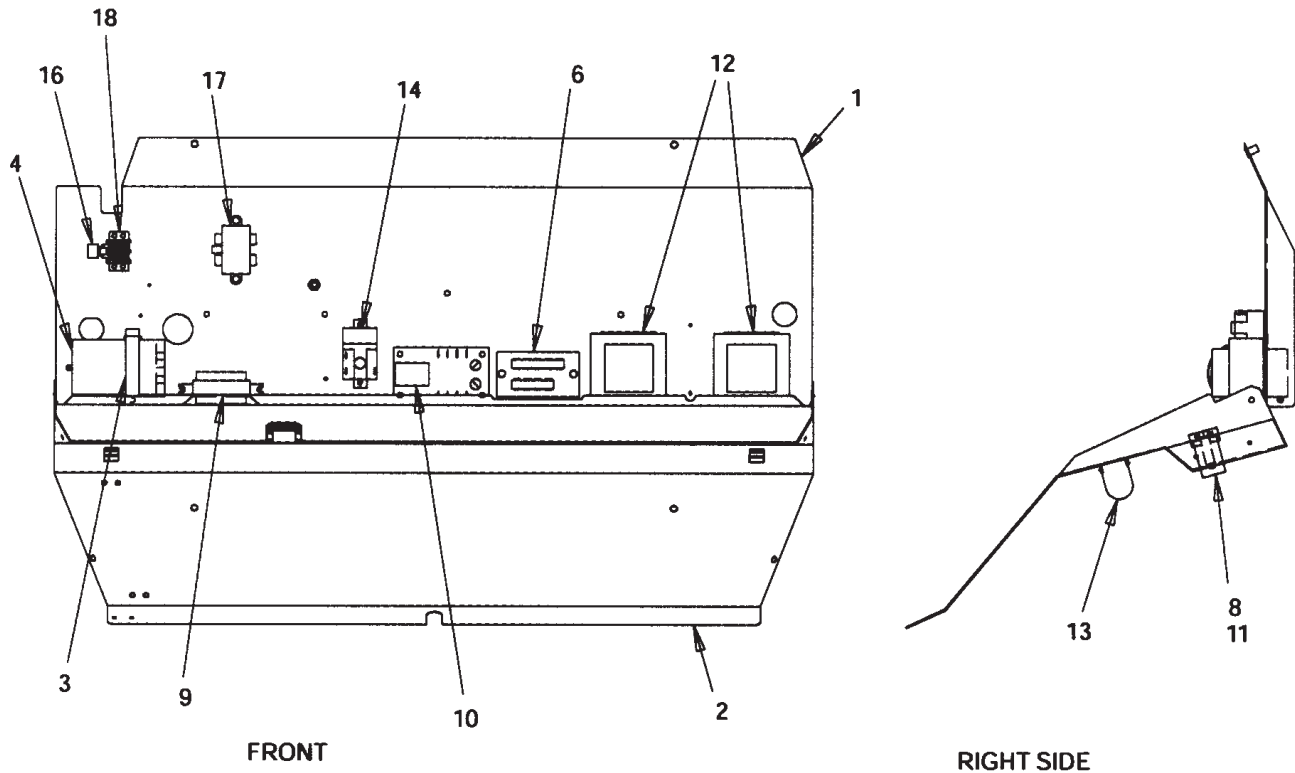


Item

No	Part number	Description
1	R28173	Arm, Gate Lift
2	R50754	Bearing, Gate Arm
3	R32957	Solenoid, 120 Volts
	R33397	Solenoid, 220-240 Volts
4	R28172	Plate, Solenoid Mounting
5	R50752	Isolator
6	R70015	Hex Nut, No. 10-32
7	no number	Locktite
8	R70162	Screw, No. 8-32 By 1/4-In. Long
9	R50705	Tie Cable
10	R70165	Screw, No. 8-32 By 5/8-In. Long
11	R71007	Spring, Solenoid Arm
12	R51348	Spacer
13	R70067	Washer, .218 I.D. By .875 O.D.
14	R70057	Lockwasher, No. 10
15	R70052	Flatwasher, No. 8

ID150, ID200 and ID250 Service Parts

Electrical Box, ID200 and ID250



Item No	Part number	Description
1	R620022001	Electrical Box (ID250)
	R620020902	Electrical Box (ID200)
2	R620022101	Reflector Panel (ID250)
	R620020901	Reflector Panel (ID200)
3	R620021101	Clamp, Capacitor
4	R33160R	Capacitor, Agitator Motor
5	R30995	Power Cord, 120 Volts
	R620302901	Power Cord, 230 Volts
6	R30960	Terminal Board, 120 Volts
	R31107	Terminal Board, 230 Volts
7		Not Used
8	R31620	Starter
9	R31621	Ballast, 120 Volts
	R33662	Ballast, 230 Volts
10	R620314803	Agitation Timer, 120 Volts
	R620314802	Agitation Timer, 230 Volts
11	R620302201	Socket, Starter
12	R32682	Transformer, 120 Volts
	R32829R	Transformer, 230 Volts
13	R620302101	Lampholder
14	R33162	Relay, Start, 120 Volts
	R620306601	Relay, Start, 230 Volts
15		Not Used
16	R620304601	Varistor, 230 Volts
17	R620307301	Filter, 230 Volts
18	R32244	Terminal Strip, 230 Volts

ID150, ID200 and ID250 Service Parts

Schematic Diagram

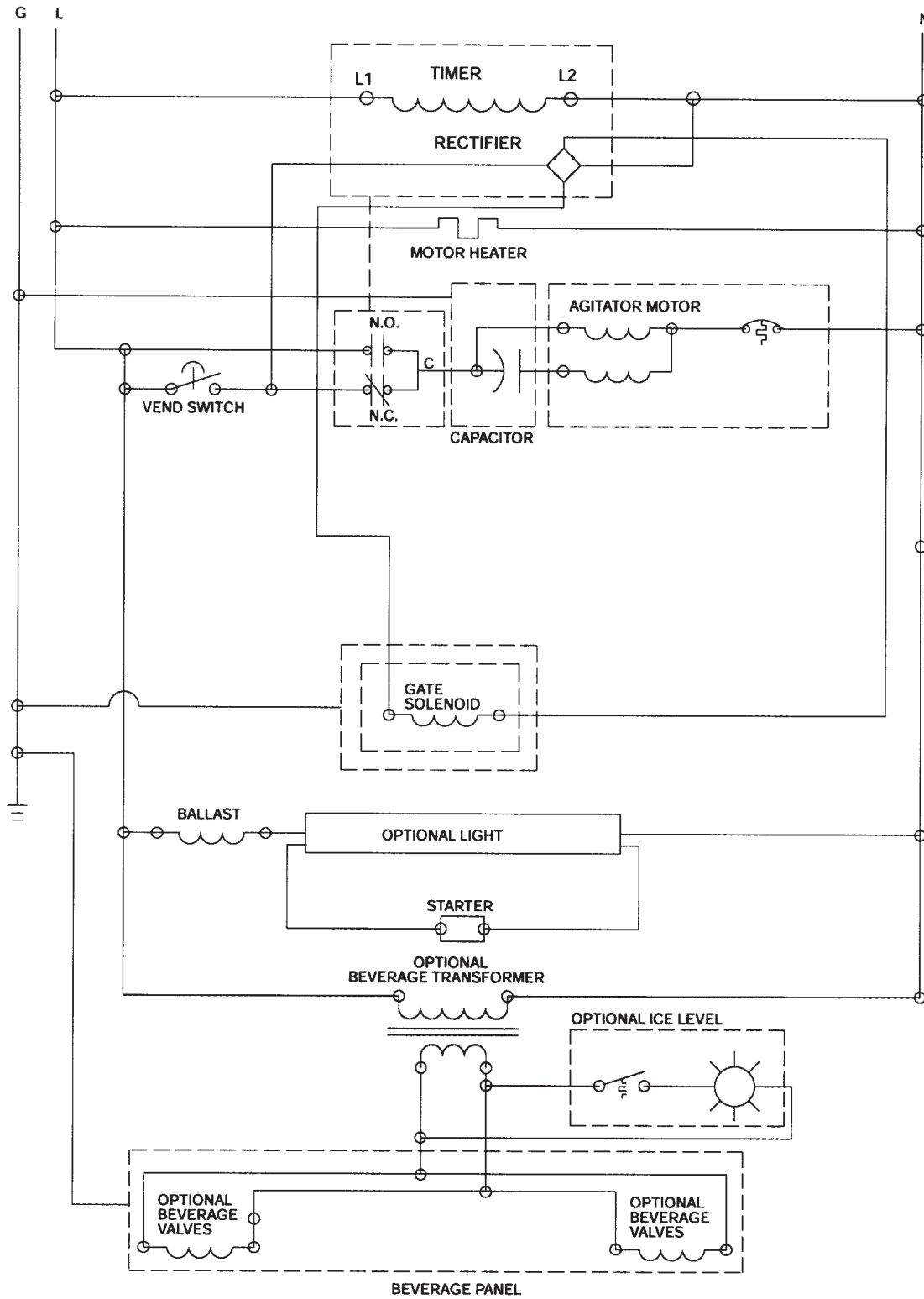


FIGURE 8. WIRING SCHEMATIC (120 V UNIT)