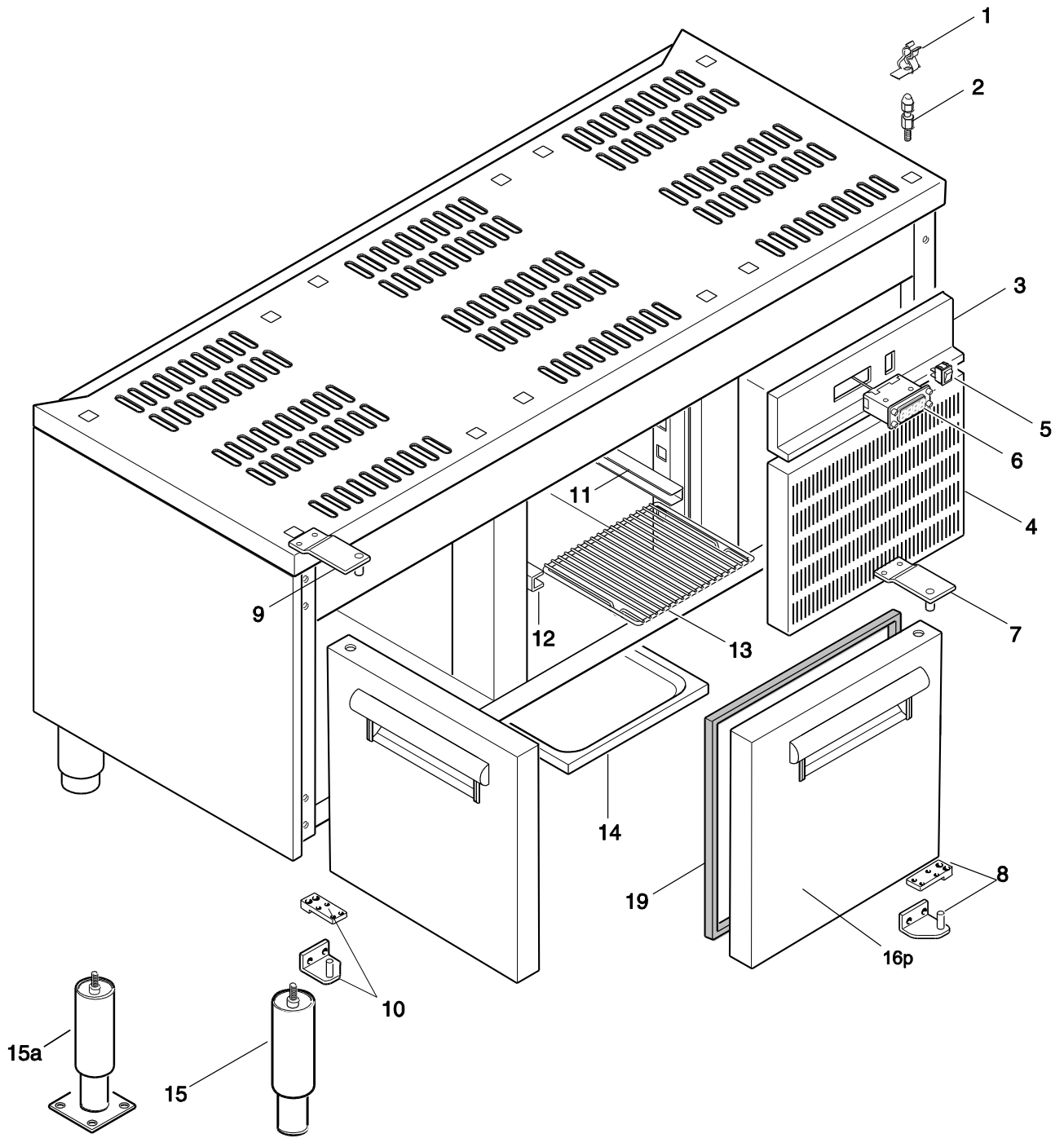
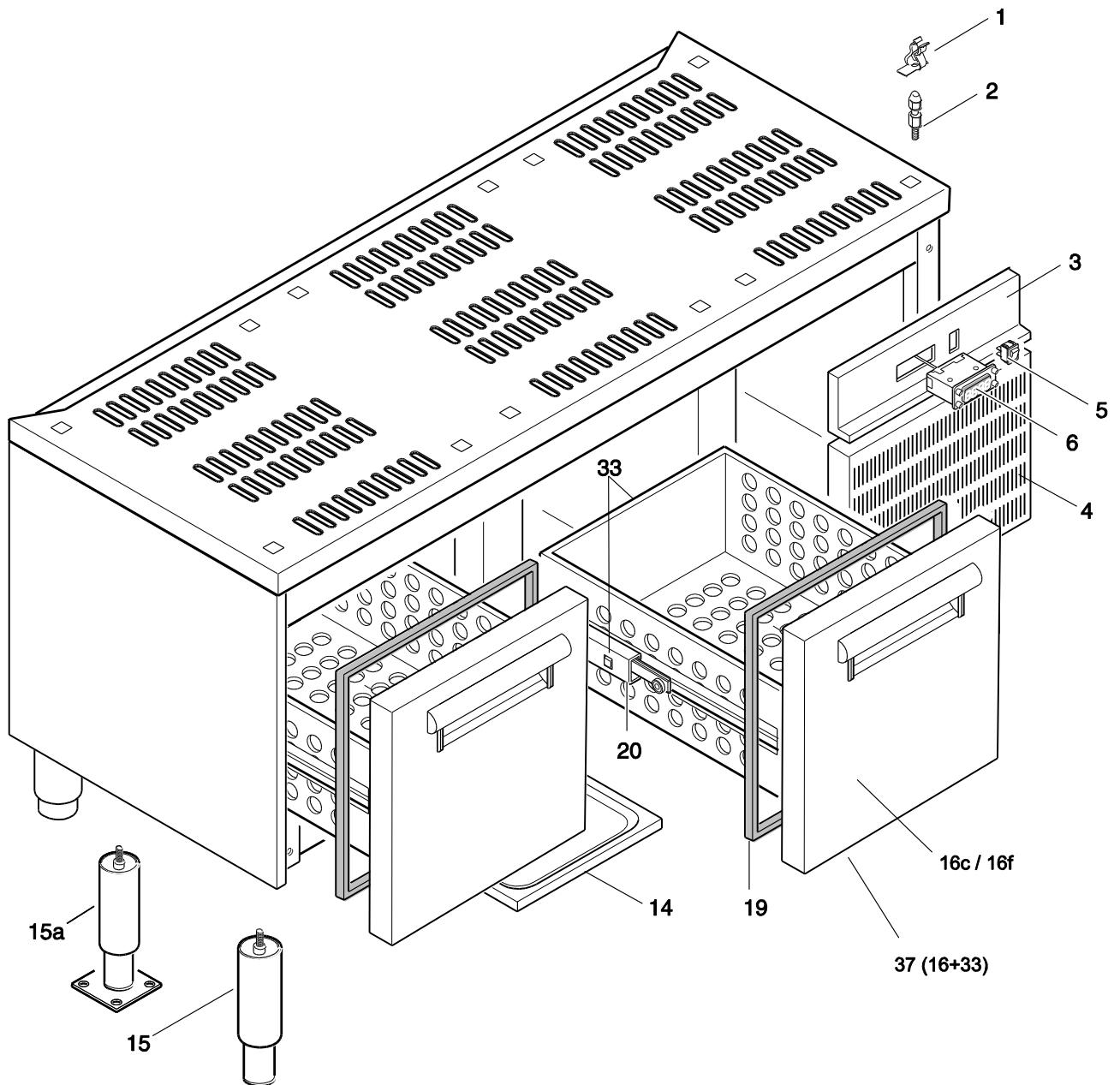


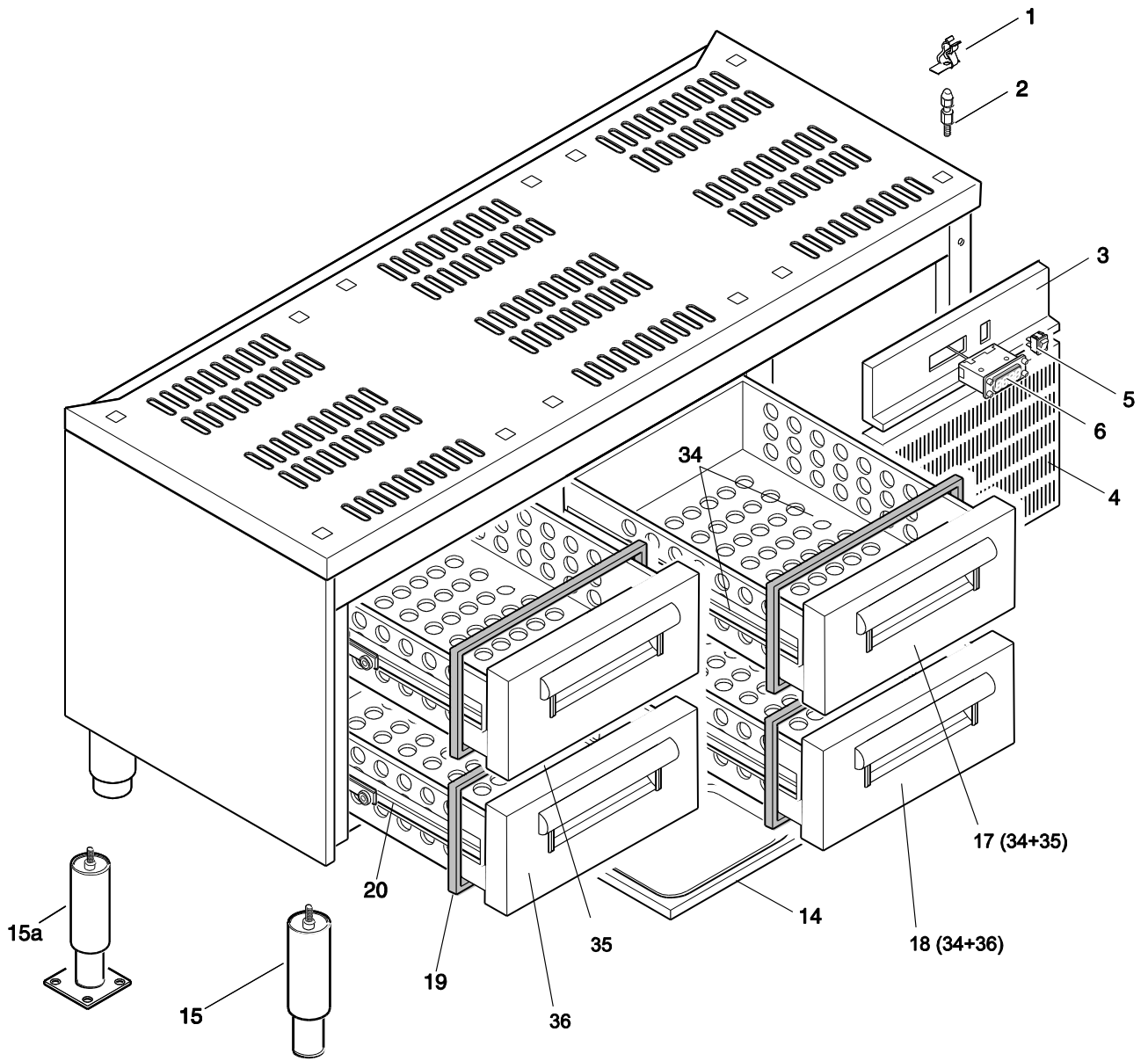
<b>PNC</b>	<b>Model</b>	<b>Ref</b>	<b>Pag.</b>	<b>Brand</b>	<b>Notes</b>
371255	E7BAPL00RE	a	2-6	ELUX	REFRIGERATED BASE WITH 2 DRAWERS 1200 MM
371256	E7BAPL00RD	b	2-6	ELUX	REFRIGERATED BASE WITH 2 DOORS 1200 MM
371257	E7BAPP00RE	c	2-6	ELUX	REFRIGERATED BASE WITH 3 DRAWERS 1600 MM
371258	E7BAPP00RD	d	2-6	ELUX	REFRIGERATED BASE WITH 3 DOORS 1600 MM
371259	E7BAPL00S0	e	2-6	ELUX	FREEZER BASE + 2 DRAWERS -15-20°C 1200MM
371260	E7BAPL00RH	f	2-6	ELUX	REFRIGERATED BASE WITH 4 DRAWERS 1600 MM
371261	E7BAPP00RH	g	2-6	ELUX	REFRIGERATED BASE WITH 6 DRAWERS 1600 MM
372255	Z7BAPL00RE	h	2-6	ZAN	REFRIGERATED BASE WITH 2 DRAWERS 1200 MM
372256	Z7BAPL00RD	i	2-6	ZAN	REFRIGERATED BASE WITH 2 DOORS 1200 MM
372257	Z7BAPP00RE	l	2-6	ZAN	REFRIGERATED BASE WITH 3 DRAWERS 1600 MM
372258	Z7BAPP00RD	m	2-6	ZAN	REFRIGERATED BASE WITH 3 DOORS 1600 MM
372259	Z7BAPL00S0	n	2-6	ZAN	FREEZER BASE + 2 DRAWERS -15-20°C 1200MM
372260	Z7BAPL00RH	o	2-6	ZAN	REFRIGERATED BASE WITH 4 DRAWERS 1600 MM
372261	Z7BAPP00RH	p	2-6	ZAN	REFRIGERATED BASE WITH 6 DRAWERS 1600 MM
373255	A7BAPL00RE	q	2-6	OEM	REFRIGERATED BASE WITH 2 DRAWERS 1200 MM
373256	A7BAPL00RD	r	2-6	OEM	REFRIGERATED BASE WITH 2 DOORS 1200 MM
373257	A7BAPP00RE	s	2-6	OEM	REFRIGERATED BASE WITH 3 DRAWERS 1600 MM
373258	A7BAPP00RD	t	2-6	OEM	REFRIGERATED BASE WITH 3 DOORS 1600 MM
373259	A7BAPL00S0	u	2-6	OEM	FREEZER BASE + 2 DRAWERS -15-20°C 1200MM

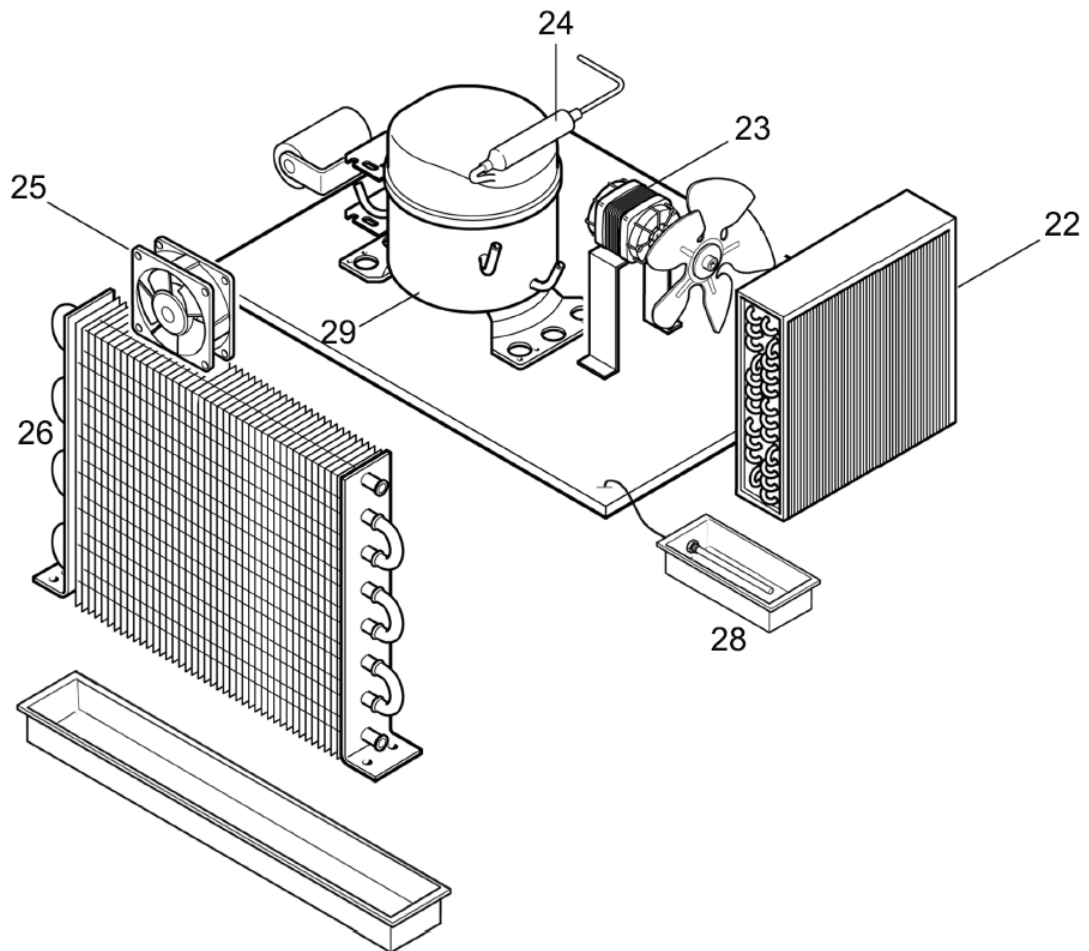
<b>Pag.</b>	<b>Index</b>	<b>Indice</b>	<b>Note</b>
2,3,4	General Components	Componenti Generali	
5,6	Gas components	Componenti Gas	
7,8	Spare parts list	Lista ricambi	

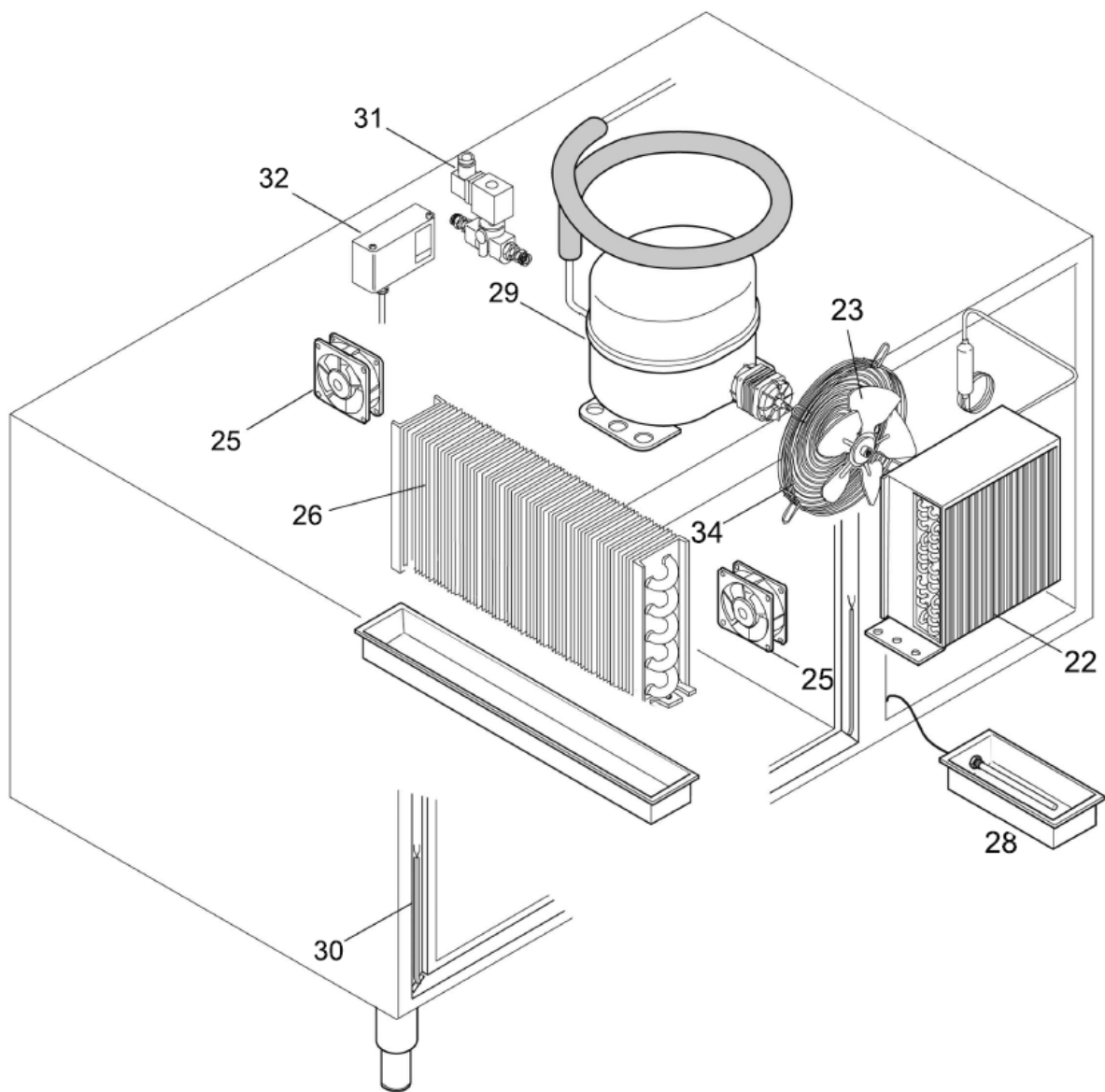
Brand/Marchio: All  
 Factory code: 9PDX











**FREEZER E BASE REFRIGERATA E700XP**  
**FREEZER AND REFRIGERATED BASE E700XP**

<i>Pos</i>	<i>Factory Code</i>	<i>Spare Code</i>	<i>Descrizione</i>	<i>Description</i>	<i>Ref./Note</i>
1	3960061	091243	Molletta	Spring	
2	3960077	091244	Perno filettato	Pin	
3	2505738	*	Cruscotto	Control panel	2 Drawers/Door
3	2505751	*	Cruscotto	Control panel	3 Drawers/Door
4	2505752	*	Griglia cruscotto	Grid for control panel	2 Drawers/Door
4	2505739	*	Griglia cruscotto	Grid for control panel	3 Drawers/Door
5	3700100	089013	Interruttore generale	Main switch	
6	3700125	*	Termoregolatore digitale	Digital Thermoregulator	Refrigerated base
6	3700126	*	Termoregolatore digitale per	Digital Thermoregulator for freezer	Freezer
7	2505716	*	Cerniera superiore destra	Right upper hinge	Refrigerated base
8	2505707	*	Cerniera inferiore destra	Right lower hinge	Refrigerated base
9	2505716	*	Cerniera superiore sinistra	Left upper hinge	Refrigerated base
10	2505708	*	Cerniera inferiore sinistra	Left lower hinge	Refrigerated base
11	2505647	091255	Guida destra per griglia	Right runner for grid	Refrigerated base
12	2505648	091256	Guida sinistra per griglia	Left runner for grid	Refrigerated base
13	3960138	091257	Griglia plastica gn1/1	Plastic grid gn 1/1	Refrigerated base
14		080803	Bacinella raccoglicondensa	Condensation water try	
15	<b>3960084</b>	<b>091259</b>	<b>Piede 1"3/4</b>	<b>Foot 1"3/4</b>	
15a	*	*	Piede flangiato Marine	Marine foot	
16c	<b>7505021</b>	<b>094125</b>	<b>Assieme Front. Cassettone</b>	<b>Drawer front panel assembly</b>	<b>ELUX</b>
16c	<b>7505029</b>	<b>094126</b>	<b>Assieme Front. Cassettone</b>	<b>Drawer front panel assembly</b>	<b>ZAN</b>
16c	<b>7505031</b>	*	<b>Assieme Front. Cassettone</b>	<b>Drawer front panel assembly</b>	<b>OEM</b>
16f	<b>7505038</b>	*	<b>Ass. Front. Cassettone freezer</b>	<b>Freezer drawer front panel assembly</b>	<b>ELUX</b>
16f	<b>7505042</b>	*	<b>Ass. Front. Cassettone freezer</b>	<b>Freezer drawer front panel assembly</b>	<b>ZAN</b>
16f	<b>7505046</b>	*	<b>Ass. Front. Cassettone freezer</b>	<b>Freezer drawer front panel assembly</b>	<b>OEM</b>
16p	<b>7505019</b>	<b>095121</b>	<b>Assieme Porta</b>	<b>Complete Door</b>	<b>ELUX</b>
16p	<b>7505030</b>	*	<b>Assieme Porta</b>	<b>Complete Door</b>	<b>ZAN</b>
16p	<b>7505032</b>	*	<b>Assieme Porta</b>	<b>Complete Door</b>	<b>OEM</b>
17	*	<b>OTTAU9</b>	<b>Assieme Cassetto Superiore</b>	<b>Complete Upper drawer assembly</b>	<b>ELUX (34+35)</b>
17	*	*	<b>Assieme Cassetto Superiore</b>	<b>Complete Upper drawer assembly</b>	<b>ZAN (34+35)</b>
17	*	*	<b>Assieme Cassetto Superiore</b>	<b>Complete Upper drawer assembly</b>	<b>OEM (34+35)</b>
18	*	<b>OTTAVO</b>	<b>Assieme Cassetto Inferiore</b>	<b>Complete Lower drawer assembly</b>	<b>ELUX (34+36)</b>
18	*	*	<b>Assieme Cassetto Inferiore</b>	<b>Complete Lower drawer assembly</b>	<b>ZAN (34+36)</b>
18	*	*	<b>Assieme Cassetto Inferiore</b>	<b>Complete Lower drawer assembly</b>	<b>OEM (34+36)</b>
19	2505601	091267	Guarnizione magnetica	Magnetic gasket gn	Doors
19	2505700		Guarnizione magnetica	Magnetic gasket	Drawers
20	3305032	091268	Coppia guide telescopiche	Couple of drivers	with Drawers
22	3650300		Condensatore	Condenser	
23	3650301		Motore-Ventilatore	Motor for condenser fan	
23	3650303		Motore-Ventilatore	Motor for condenser fan	freezer
24	3650305		Filtro	Filter	
25	3650306		Ventola	Evaporator's fan	
25	3650308		Ventola	Evaporator's fan	freezer
26	3650312		Evaporatore	Evaporator	freezer

**FREEZER E BASE REFRIGERATA E700XP**  
**FREEZER AND REFRIGERATED BASE E700XP**

<i>Pos</i>	<i>Factory Code</i>	<i>Spare Code</i>	<i>Descrizione</i>	<i>Description</i>	<i>Ref./Note</i>
26	3650310		Evaporatore	Evaporator	
28	3710020		Resistenza di Auto-	Defrost heating element	
29	3650314		Compressore	Compressor	
29	3650316		Compressore	Compressor	freezer
30	3650089		Resistenza Cornice	Draining stopping heating element	freezer
31	3650318		Valvola solenoidale	Solenoid Valv	freezer
32	3650319		Pressostato	Pressure switch	freezer
32	3700089		Sonda NTC	NTC Probe	
<b>33</b>	<b>*</b>	<b>*</b>	<b>Cassettone+guide</b>	<b>Drawer+guide</b>	
<b>34</b>	<b>7505051</b>	<b>*</b>	<b>Cassetto+guide</b>	<b>Drawer+guide</b>	
<b>35</b>	<b>7505040</b>	<b>*</b>	<b>Ass.me frontalino Superiore</b>	<b>Upper front panel assembly</b>	<b>Elux</b>
<b>35</b>	<b>7505022</b>	<b>*</b>	<b>Ass.me frontalino Superiore</b>	<b>Upper front panel assembly</b>	<b>Zan</b>
<b>35</b>	<b>*</b>	<b>*</b>	<b>Ass.me frontalino Superiore</b>	<b>Upper front panel assembly</b>	<b>OEM</b>
<b>36</b>	<b>7505041</b>	<b>*</b>	<b>Ass.me frontalino Inferiore</b>	<b>Lower front panel assembly</b>	<b>Elux</b>
<b>36</b>	<b>7505023</b>	<b>*</b>	<b>Ass.me frontalino Inferiore</b>	<b>Lower front panel assembly</b>	<b>Zan</b>
<b>36</b>	<b>*</b>	<b>*</b>	<b>Ass.me frontalino Inferiore</b>	<b>Lower front panel assembly</b>	<b>OEM</b>
<b>37</b>	<b>*</b>	<b>*</b>	<b>Ass. Cassettone</b>	<b>Complete drawer assembly</b>	<b>ELUX (16c+33)</b>
<b>37</b>	<b>*</b>	<b>*</b>	<b>Ass. Cassettone</b>	<b>Complete drawer assembly</b>	<b>ZAN (16c+33)</b>
<b>37</b>	<b>*</b>	<b>*</b>	<b>Ass. Cassettone</b>	<b>Complete drawer assembly</b>	<b>OEM (16c+33)</b>
<b>37</b>	<b>*</b>	<b>*</b>	<b>Ass. Cassettone congelatore</b>	<b>Complete drawer freezer assembly</b>	<b>ELUX (16f+33)</b>
<b>37</b>	<b>*</b>	<b>*</b>	<b>Ass. Cassettone congelatore</b>	<b>Complete drawer freezer assembly</b>	<b>ZAN (16f+33)</b>
<b>37</b>	<b>*</b>	<b>*</b>	<b>Ass. Cassettone congelatore</b>	<b>Complete drawer freezer assembly</b>	<b>OEM (16f+33)</b>