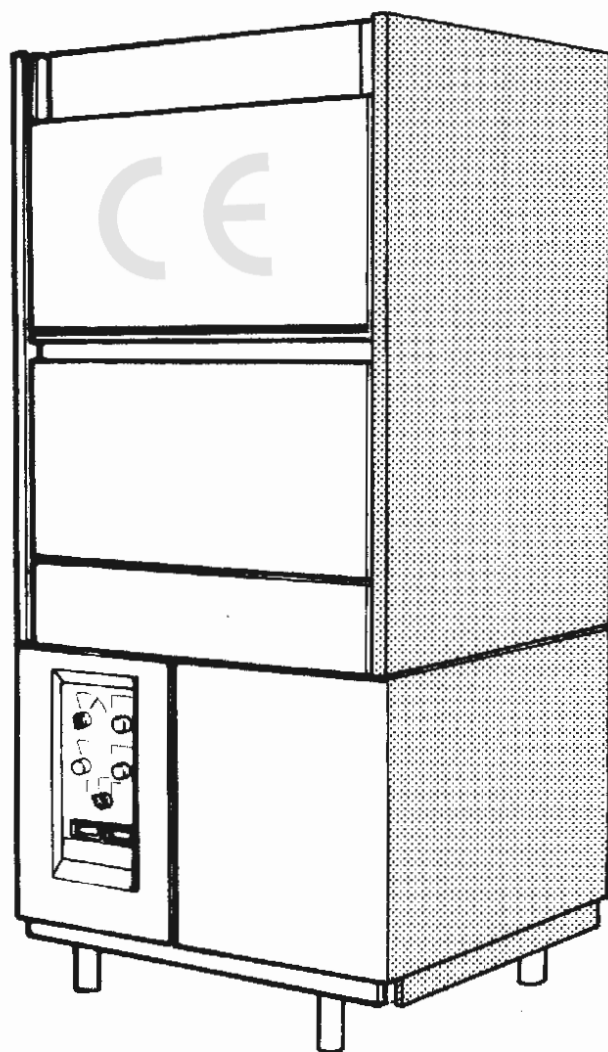


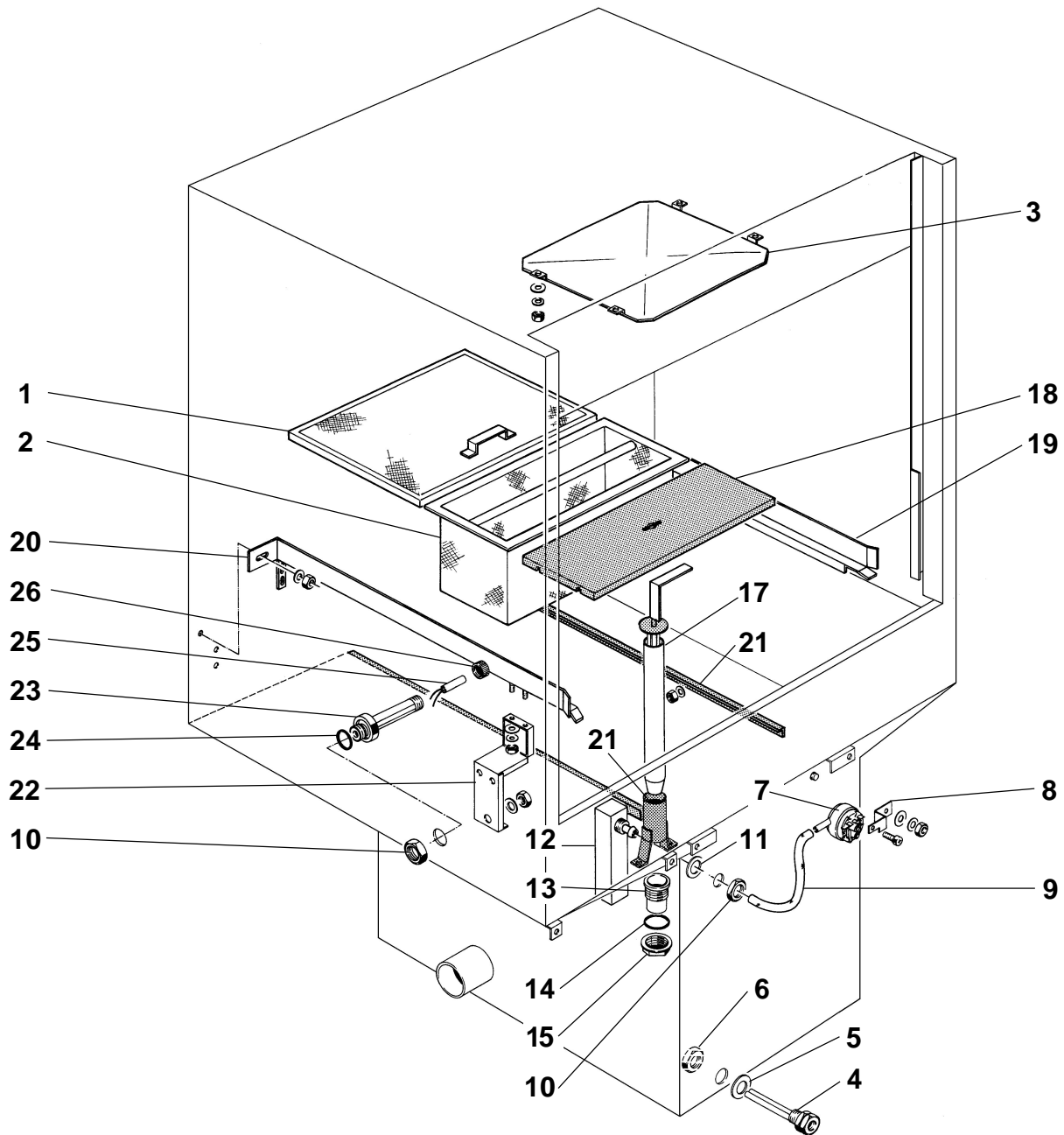
LAVAPENTOLE - LAVE BATTERIE - WAREWASHERS

TOPFSPUELER - LAVA OBJETOS - LAVA UTENSILIOS

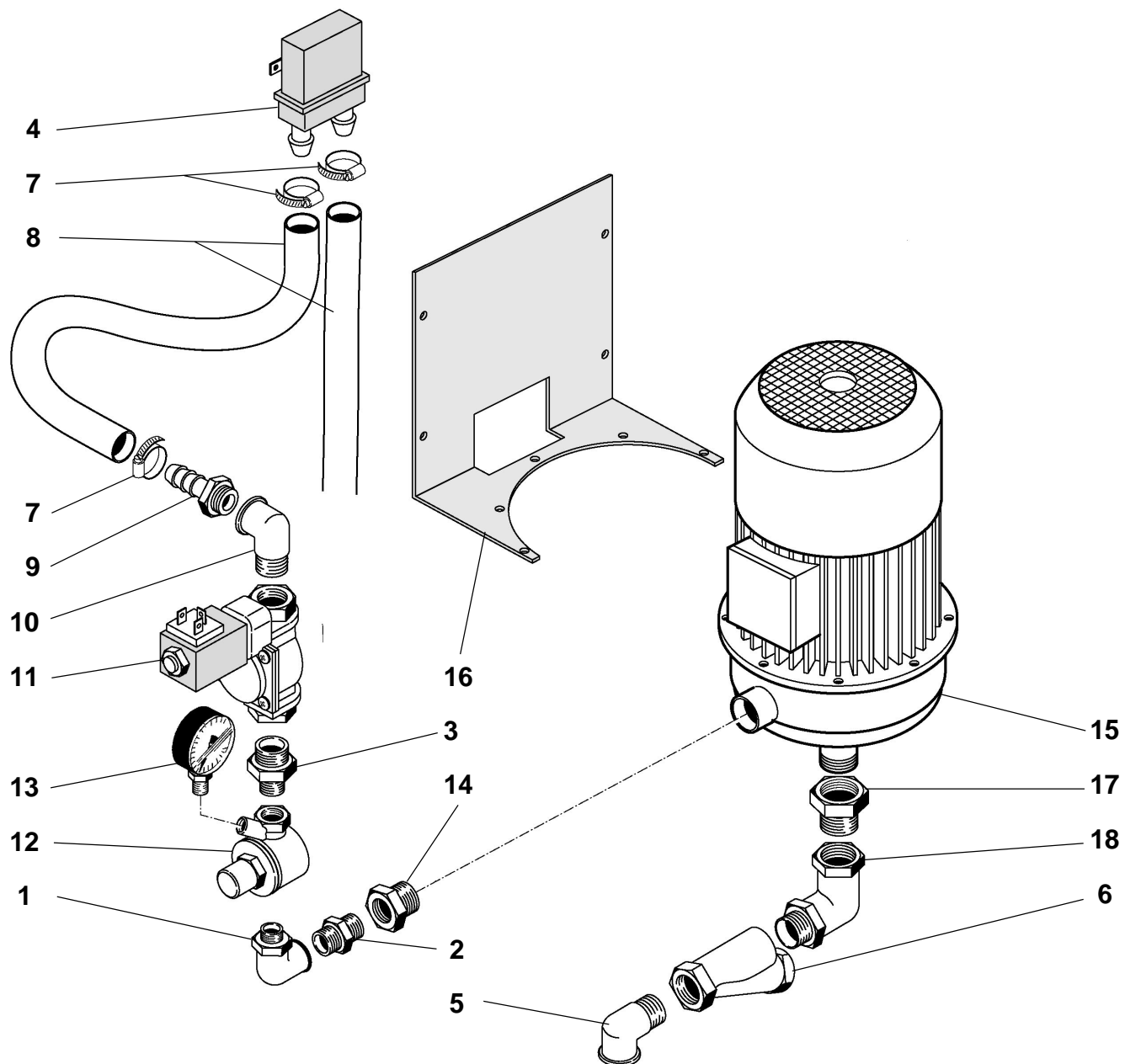
LP 67V

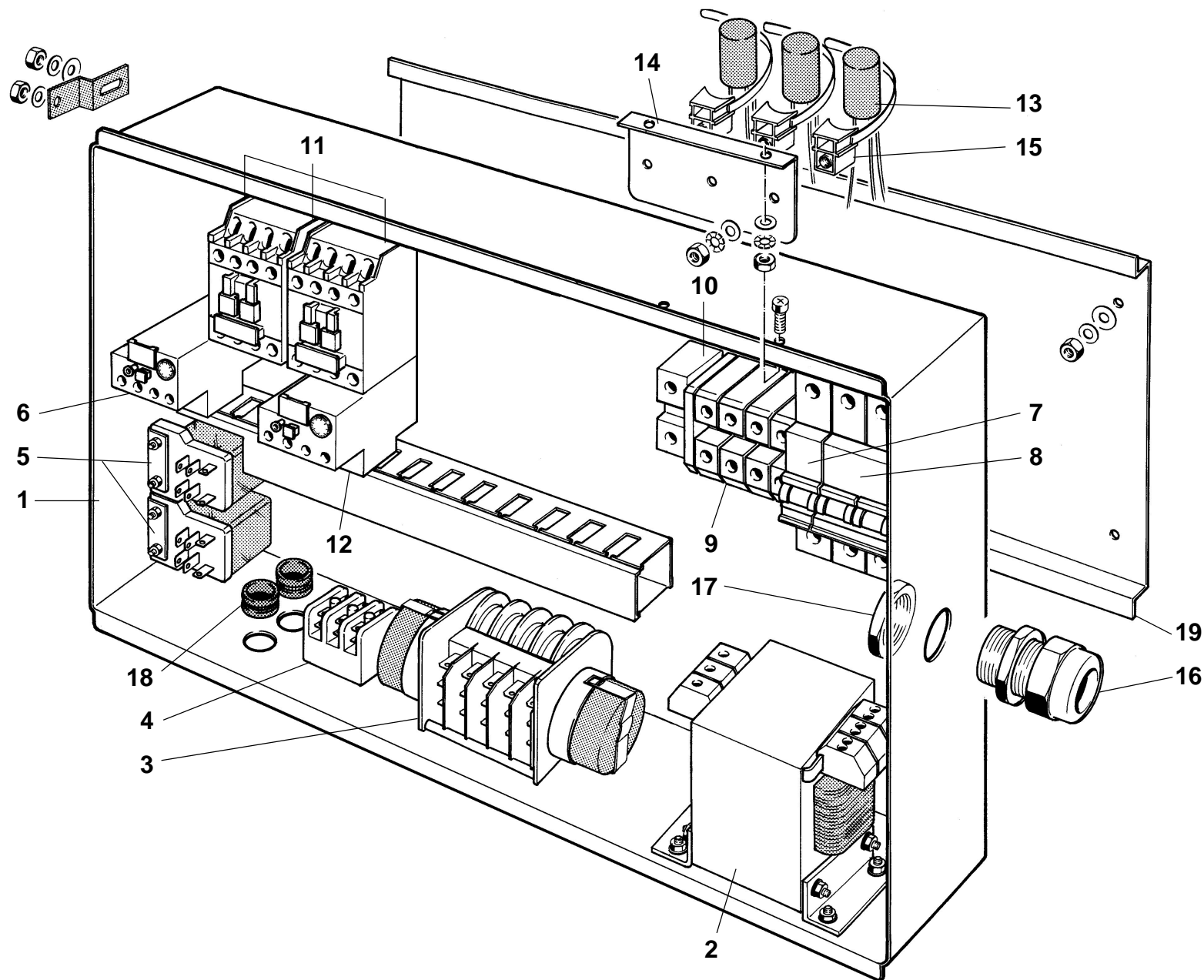


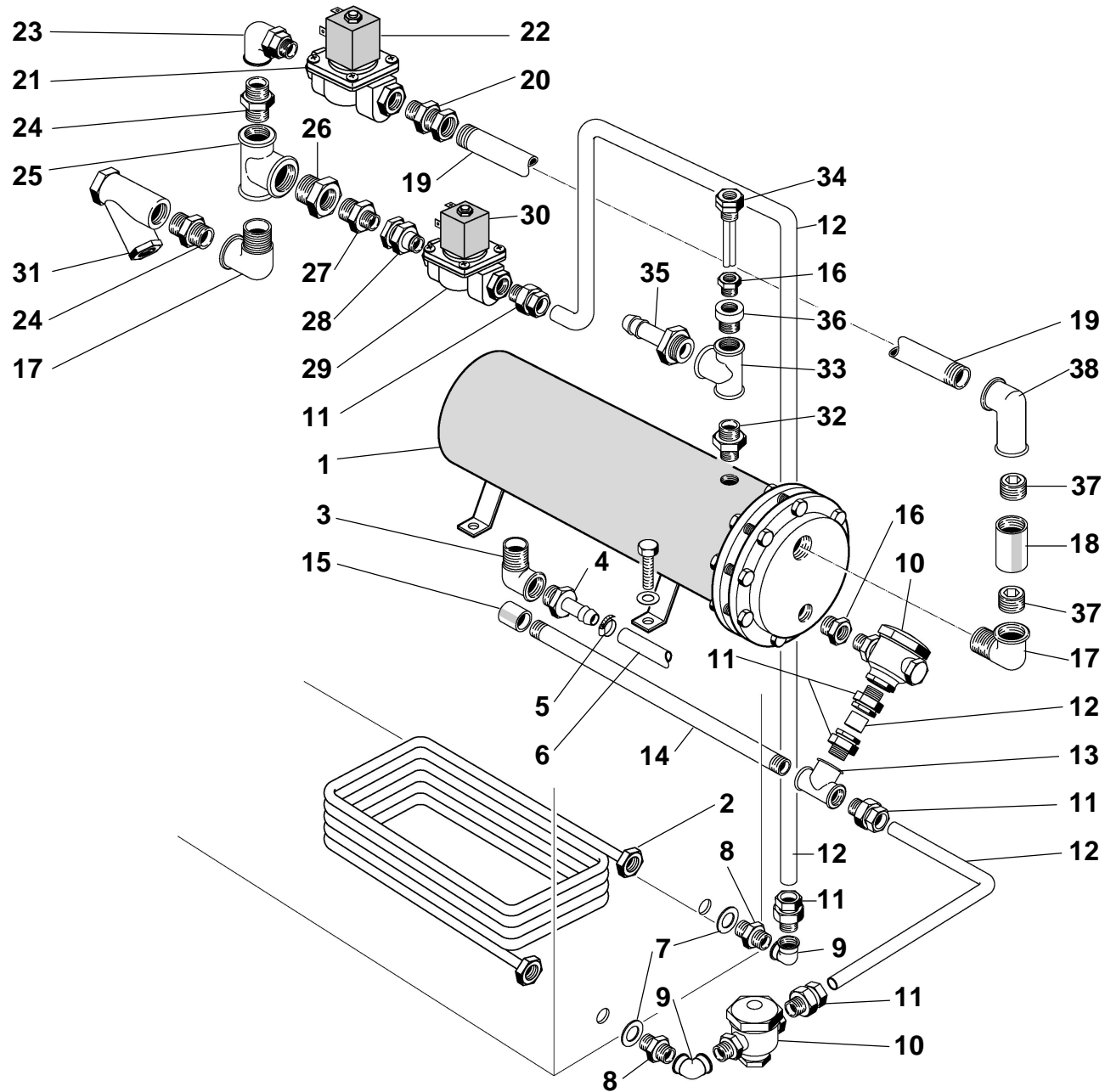
MANUALE PARTI DI RICAMBIO
SPARE PARTS MANUAL
CATALOGUES PIÉCES DETACHEES
ERSATZTEILEKATALOG
MANUAL PARTES DE REPUESTO



| Pos | COD. | COD. | Q.TÀ | DESCRIZIONE | DENOMINATION | DESCRIPTION | BEZEICHNUNG | DESCRIPCIÓN |
|-----|--------|------|------|--------------------------------|------------------------|-----------------------|-----------------------|----------------------------------|
| 1 | TR0954 | | 1 | SCIVOLO VASCA | GLISSIERE | STRAINER | RUTSCHE | RAMPA PILETA |
| 2 | TR0955 | | 1 | FILTRO VASCA | FILTRE CUVE | TANK SCREEN | TANK FILTER | FILTRO PILETA |
| 3 | TR0922 | | 1 | PARASPRUZZI | GARDE -JETS | SPRAY GUARD | SPRITZSCHUTS | SALPICADERO |
| 4 | TR0298 | | 1 | PORTABULBO | SIEGE DE BULBE | SEATING BULB | KUGELSITZ | PORTABULBO |
| 5 | 903250 | | 1 | GUARNIZIONE | JOINT | GASKET | DICHTUNG | GUARNICIÓN |
| 6 | 902061 | | 1 | GHIERA 1/2" | VIOLE | LOCK NUT | NUT MUTTER | ABRAZADERA |
| 7 | 905276 | | 1 | PRESSOSTATO 160/30 | PRESSOSTAT | PRESSURE SWITCH | DRUCH WAECHTER | PRESÓSTATO |
| 8 | 906399 | | 1 | SUPP. PRESSOSTATO | SUPPORT PRESSOSTAT | PRESSURE SWITCH SUPP. | DRUCH WAECHTER TRAGER | SOPORTE PRESÓSTATO |
| 9 | 907271 | | 1 | TUBETTO PRESSOSTATO | TUYAU PRESSOSTAT | PRESSURE SWITCH PIPE | SCHLAUCH | TUBITO PRESÓSTATO |
| 10 | 902100 | | 1 | GHIERA 3/8" | VIOLE | LOCK NUT | NUT MUTTER | ABRAZADERA |
| 11 | 903260 | | 1 | GUARNIZIONE | JOINT | GASKET | DICHTUNG | GUARNICIÓN |
| 12 | TR0935 | | 1 | T RAPPOLA ARIA | RESERVOIR | AIR TRAP | LUFTFALLE | T RAMP A DEL AIRE |
| 13 | 905450 | | 1 | RACCORDO SCARICO 1"1/4 | RACCORD DE DECHARG. | OUTLET PIPE FITTING | ABLUFANSCHLUS | EMPALME DES AGOTE |
| 14 | 904380 | | 1 | O-RING | O-RING | O-RING | O-RING | O-RING |
| 15 | 902080 | | 1 | GHIERA 1"1/4 | VIOLE | LOCK NUT | NUT MUTTER | ABRAZADERA |
| 16 | TR0933 | | 1 | GUIDA TROPPOPIENO | COULISSE NIVEAU | OVERFLOW GUIDE | UBERLAUFROHR KORB. | GUIA DE MASIADO LLENO |
| 17 | TR0938 | | 1 | TROPPOPIENO | NIVEAU | OVERFLOW | UBERLAUFROHR | DE MASIADO LLENO |
| 18 | TR0949 | | 1 | T RAVE R S A GUIDA TROPPOPIENO | SUPP. COULISSE NIVEAU | OVERFLOW GUIDE SUPP. | UBERLAUFROHR TRAG. | T RAVE S AÑO GUIDA DE MAS. LLENO |
| 19 | TR0918 | | 1 | GUIDA CESTELLO DX | COULISSE PANIER DROITE | RIGHT BASKET GUIDE | RECHTE KORBUFHUNG | GUIA DE RECHA CANASTO |
| 20 | TR0919 | | 1 | GUIDA CESTELLO SX | COULISSE PANIER GAUCHE | LEFT BASKET GUIDE | LINKE KORBUFHUNG | GUIA IZQUIERDA CANASTO |
| 21 | TR0953 | | 1 | GUIDA FILTRO DX | COULISSE FILTRE DROITE | RIGHT FILTER GUIDE | RECHTE FILTER TRÄGER | GUIA DE RECHA FILTRO |
| 21 | TR0983 | | 1 | GUIDA FILTRO SX | COULISSE FILTRE GAUCHE | LEFT FILTER GUIDE | LINKE FILTER TRÄGER | GUIA IZQUIERDA FILTRO |
| 22 | TR0917 | | 2 | SUPP. GUIDA CESTELLO | SUPP. COULISSE PANIER | BASKET GUIDE SUPPORT | KORBUFHUNG TRAG. | SOPORTE GUIDA CANASTO |
| 23 | TR0995 | | 1 | MICRO PORTA | MICRO PORTE | MICRO SWITCH | MICRO SCHALTER | MICRO PUERTA |
| 24 | 904330 | | 1 | O-RING | O-RING | O-RING | O-RING | O-RING |
| 25 | TR0309 | | 1 | REED | REED | REED | REED | REED |
| 26 | 906453 | | 1 | TAPPO DI CHIUSURA | BOUCHON | PLUG | PROPFEN | TAPÓN DE CERRADURA |
| | | | | | | | | |
| | | | | | | | | |
| | | | | | | | | |







| Pos | COD. | COD. | Q.TÀ | DESCRIZIONE | DENOMINATION | DESCRIPTION | BEZEICHNUNG | DESCRIPCIÓN |
|-----|--------|------|------|---------------------------|----------------------|----------------|-------------------------|---------------------------|
| 1 | TR0368 | | 1 | BOILER 18.000 CAL. | SURCHAUFFEUR | BOILER | HEISSWASSERSPEICHER | BOILER |
| 2 | TR0362 | | 1 | SERPENTINA 6.000 CAL. | SERPENTIN VAPEUR | STEAM COIL | DAMPFSCHEIBEL | SERPENTINA |
| 3 | TR2420 | | 1 | RACCORDO GOMITO ½" | RACCORD | PIPE FITTING | ANSCHLUSSE | EMPALME A CODO |
| 4 | TR2375 | | 1 | RACCORDO PORTAGOMMA ½" | RACCORD | PIPE FITTING | ANSCHLUSSE | EMPALME GOMMA PER PUEERTA |
| 5 | 902450 | | 1 | FASCETTA 15÷24 | COLLIER | CLAMP | SCHELLE | ABRAZADERA |
| 6 | 907350 | | 1 | TUBO GOMMA 12x22 | TUYAU EN CAOUTCHOUC | RUBBER PIPE | GUMMISCHLAUCH | TUBO GOMA |
| 7 | 904992 | | 2 | GUARNIZIONE | JOINT | GASKET | DICHTUNG | GUARNICIÓN |
| 8 | TR2319 | | 2 | NIPPLO ½" | NIPPLES | NIPPLE | NIPPLE | NIPLE |
| 9 | TR2437 | | 2 | RACCORDO GOMITO ½" | RACCORD | PIPE FITTING | ANSCHLUSSE | EMPALME A CODO |
| 10 | TR0316 | | 2 | SCARICATORE CONDENSATA | DESCHARGEUR CONDENSE | STEAM TRAP | KONDENSWASSERABSCHIEDER | DESCARGA CONDENSACIÓN |
| 11 | TR2223 | | 6 | RACCORDO ½" | RACCORD | PIPE FITTING | ANSCHLUSSE | EMPALME |
| 12 | 952205 | | 3 | TUBO RAME Ø 18 | TUBE EN CUIVRE | COPPER PIPE | KUPFERROHR | TUBO DE COBRE |
| 13 | TR2402 | | 1 | RACCORDO 3 VIE ½" | RACCORD | PIPE FITTING | ANSCHLUSSE | EMPALME 3 DIRECCIONES |
| 14 | 952209 | | 1 | TUBO ZINCATO ½"-½" | TUYAU | PIPE | ROHR | TUBO CINC |
| 15 | TR2301 | | 1 | MANICOTTO ½" | MANCHON | SLEEVE | MUFFE | PALANCA |
| 16 | TR2366 | | 2 | RIDUZIONE ¾"-½" | REDUCTION | REDUCTION | VERMINDERUNG | TUBO CINC |
| 17 | TR2422 | | 2 | RACCORDO GOMITO 1" | RACCORD | PIPE FITTING | ANSCHLUSSE | RAMPA DE DESAGÜE CURVO |
| 18 | TR2310 | | 1 | MANICOTTO 1" | MANCHON | SLEEVE | MUFFE | PALANCA |
| 19 | 952211 | | 1 | TUBO ZINCATO 1" | TUYAU | PIPE | ROHR | TUBO CINC |
| 20 | TR2300 | | 1 | RACCORDO 1" | RACCORD | PIPE FITTING | ANSCHLUSSE | EMPALME |
| 21 | TR0094 | | 1 | ELETTROVALVOLA 1" | ELECTROVANNE | ELECTRIC VALVE | ELEKTROVENTIL | VALVOLA ELETTRICA |
| 22 | TR0104 | | 1 | BOBINA 24V | BOBINE | COIL | SPULE | BOBINA |
| 23 | TR2330 | | 1 | BOCCHETTONE CURVO 1" | GOULOTTE | PIPE UNION | STUTZEN | RAMPA DE DESAGÜE CURVO |
| 24 | TR2312 | | 2 | NIPPLO 1" | NIPPLES | NIPPLE | NIPPLE | NIPLE |
| 25 | TR2401 | | 1 | RACCORDO TRE VIE 1" | RACCORD | PIPE FITTING | ANSCHLUSSE | EMPALME 3 DIRECCIONES |
| 26 | TR2367 | | 1 | RIDUZIONE 1"-¾" | REDUCTION | REDUCTION | VERMINDERUNG | REDUCCIÓN |
| 27 | TR2347 | | 1 | NIPPLO RIDOTTO ¾"-½" | NIPPLES | NIPPLE | NIPPLE | NIPLE REDUCCIÓN |
| 28 | TR2335 | | 1 | BOCCHETTONE DIRITTO ½" | GOULOTTE | PIPE UNION | STUTZEN | RAMPA DE DESAGÜE RECTO |
| 29 | TR0092 | | 1 | ELETTROVALVOLA ½" | ELECTROVANNE | ELECTRIC VALVE | ELEKTROVENTIL | VALVOLA ELETTRICA |
| 30 | TR0103 | | 1 | BOBINA 24V | BOBINE | COIL | SPULE | BOBINA |
| 31 | TR0121 | | 1 | FILTRO 1" | FILTRE | FILTER | FILTER | FILTRO |
| 32 | TR2316 | | 1 | NIPPLO ¾" | NIPPLES | NIPPLE | NIPPLE | NIPLE |
| 33 | TR2400 | | 1 | RACCORDO TRE VIE ¾" | RACCORD | PIPE FITTING | ANSCHLUSSE | EMPALME 3 DIRECCIONES |
| 34 | TR0298 | | 1 | PORTABULBO | SIEGE DE BULBE | SEATING BULB | KUGELSTITZ | PORTABULBO |
| 35 | 907890 | | 1 | RACCORDO PORTAGOMMA ¾" | RACCORD | PIPE FITTING | ANSCHLUSSE | EMPALME GOMMA PER PUEERTA |
| 36 | TR2445 | | 1 | PROLUNGA ¾" | PROLUNGEMENT | EXTENSION CORD | LEITUNGSTRECKER | PROLONGACIÓN |
| 37 | TR2311 | | 2 | RACCORDO TUTTO FILETTO 1" | RACCORD | PIPE FITTING | ANSCHLUSSE | EMPALME CON ROSCA |
| 38 | TR2438 | | 1 | RACCORDO GOMITO 1" | RACCORD | PIPE FITTING | ANSCHLUSSE | EMPALME A CODO |