

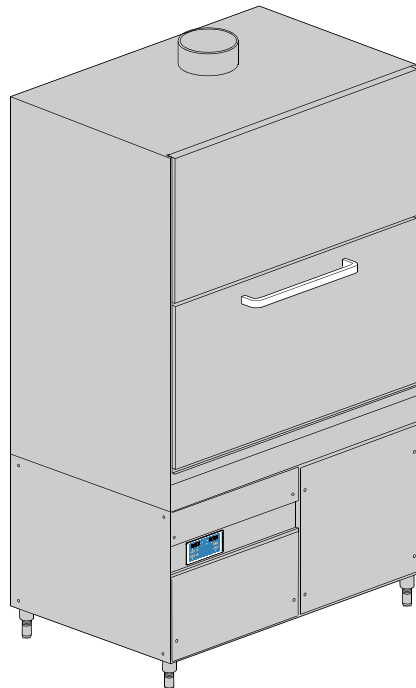
WAREWASHER

ELECTRONICAL SWITCHES
SIMPLE BODY VERSION
LOWER AND UPPER WASHING

TYPE: 35ER

Accessories
BOOSTER PUMP
DVGW
DETERGENT DISPENSER
DRAIN PUMP

Spare parts



Parti di ricambio Spare Parts Catalogues pièces

INFORMAZIONI GENERALI

Questo catalogo serve per richiedere con esattezza le parti di ricambio

Nelle ordinazioni indicare:

1) il numero dei codici dei particolari seguito dalla descrizione e la quantità desiderata;

2) Il codice alfa-numerico presente nella seconda colonna della tabella ;

I disegni delle parti di ricambio sono solo indicativi e non rappresentano il pezzo in oggetto.

I dati contenuti in questo catalogo sono indicativi e possono essere soggetti a modifiche senza impegno di preavviso.

ALLGEMEINE INFORMATIONEN

Dieser Ersatzteilkatalog dient zur genauen Angabe der Teile bei Ersatzteilbestellungen.

Bei Ersatzbestellung ist folgendes anzugeben:

1) Die Bestellnummer der Ersatzteile mit der entsprechenden Beschreibung genaue Menge;

2) Der alpha-numerischer Code auf der zweiten Reihe in dein Spalte;

Die Zeichnungen der Ersatzteile sind nur als Hinweise gedacht und stellen nicht das betroffene Teil dar.

Bei den im Katalog angeführten Daten handelt es sich um Anhaltsdaten, die jederzeit, ohne Vorankündigung, geändert werden können.

GENERAL INFORMATION

The present spare parts order exactly the right spare parts

When ordering specify:

1) the part's code number followed by its description and quantity needed;

2) The alpha-numeric code is in the second column in the chart;

Spare parts drawings are general and do not represent the part.

The contents of this catalogue are general and can undergo changes without prior notice.

INFORMACIONES GENERALES

El presente catálogo sirve para pedir con exactitud las partes de repuesto

En los pedidos se debe indicar:

1) el número de código de la parte y a continuación la descripción cantidad deseada;

2) El código alfanumerico presente en la signada columna de la tabla;

Los diseños de las partes de recambio son solo indicativos y no representan la pieza en cuestión.

Los datos contenidos en el presente catálogo son indicativos y pueden modificarse sin aviso previo.

INFORMATIONS GENERALES

Ce catalogue permet de commander correctement les pièces détachées

Les commandes doivent être passées en indiquant:

1) le numero de code des pièces dééectachées suivi de leur description quantité désirée;

2) le code alphanumérique dans la deuxième colonne du tableau;

Les plans des pièces détachées sont fournis seulement à titre indicatif et ne représentent pas la pièce concernée.

Les données de ce catalogue sont citées seulement à titre indicatif et peuvent être l'objet de modifications sans avis préalable.

ESEMPIO EXAMPLE EXEMPLE BEISPIEL

Rif.	Codici
MODULE:Particolari	
10505	540903
10510	540908
10515	15065/A
10520	540086
10525	540028

Note

Tutte le informazioni riportate si intendono aggiornate alla data di stampa. Il Produttore si riserva il diritto di apportare qualsiasi modifica richiesta dallo sviluppo evolutivo dei suddetti prodotti.

Per la sicurezza, la garanzia, l'affidabilità ed il valore della lavastoviglie usa solo ricambi originali. **Per alcuni codici, sono richieste quantità minime d'ordine.**



Attenzione

Questo libretto è parte integrante della lavastoviglie e, in caso di passaggio di proprietà, deve essere consegnato al nuovo acquirente.

Remarque

Toutes les informations contenues dans ce manuel s'entendent mises à jour à la date d'impression. En raison du développement constant de ses produits, usine se réserve le droit d'apporter à tout instant les modifications qu'elle jugera utiles.

Pour la sécurité, la garantie, la fiabilité et la valeur de votre lave-vaisselles n'utilisez que des pièces de rechange d'origine. **Pour quelque référence on demande un minimum de pièces par commande**



Attention

Ce manuel doit être considéré comme partie intégrante de la lave-vaisselles, en cas de transfert de propriété, doit toujours être remis au nouveau propriétaire.



Note

The information contained herein is valid at the time of going to print. The Company reserves the right to make any changes required by the future development of the above-mentioned products.

For your safety, as well as to preserve the warranty reliability and worth of your dishwashers, use original spare parts only. **For some codes a minimum quantity for order is required.**



Warning

This manual forms an integral part of the dishwashers and - if a transfer of title occurs - must always be handed over to the new owner.



Hinweis

Die Der Hersteller behält sich das Recht vor, jegliche, durch eine Weiterentwicklung der genannten Produkte bedingte Änderungen vornehmen zu können.

Verwenden Sie für Ihre Sicherheit, die Garantie, die Zuverlässigkeit und den Wert Ihrer machine originale Ersatzteile. **Für bestimmte Code nummer werden mindesten bestellungen verlangt.**



Achtung

Diese Betriebsanleitung ist Bestandteil des machine und muss bei seinem Weiterverkauf dem neuen Besitzer ausgehändigt werden.

1. Spare parts

General body parts.....	7
Lockup system	9
LP4E Control panel and switches.....	11
Electric control components.....	13
Solenoid valve group	15
Booster pump.....	17
DVGW	19
Rinse aid dispenser group.....	21
Boiler group	23
3 ways connection	25
Wash pump	27
Dosing detergent group.....	29
Pressure switch group with air trap ...	31
Turret group with rotating arms	33
Turret group with rotating arms	35

1.1 Voltage codes

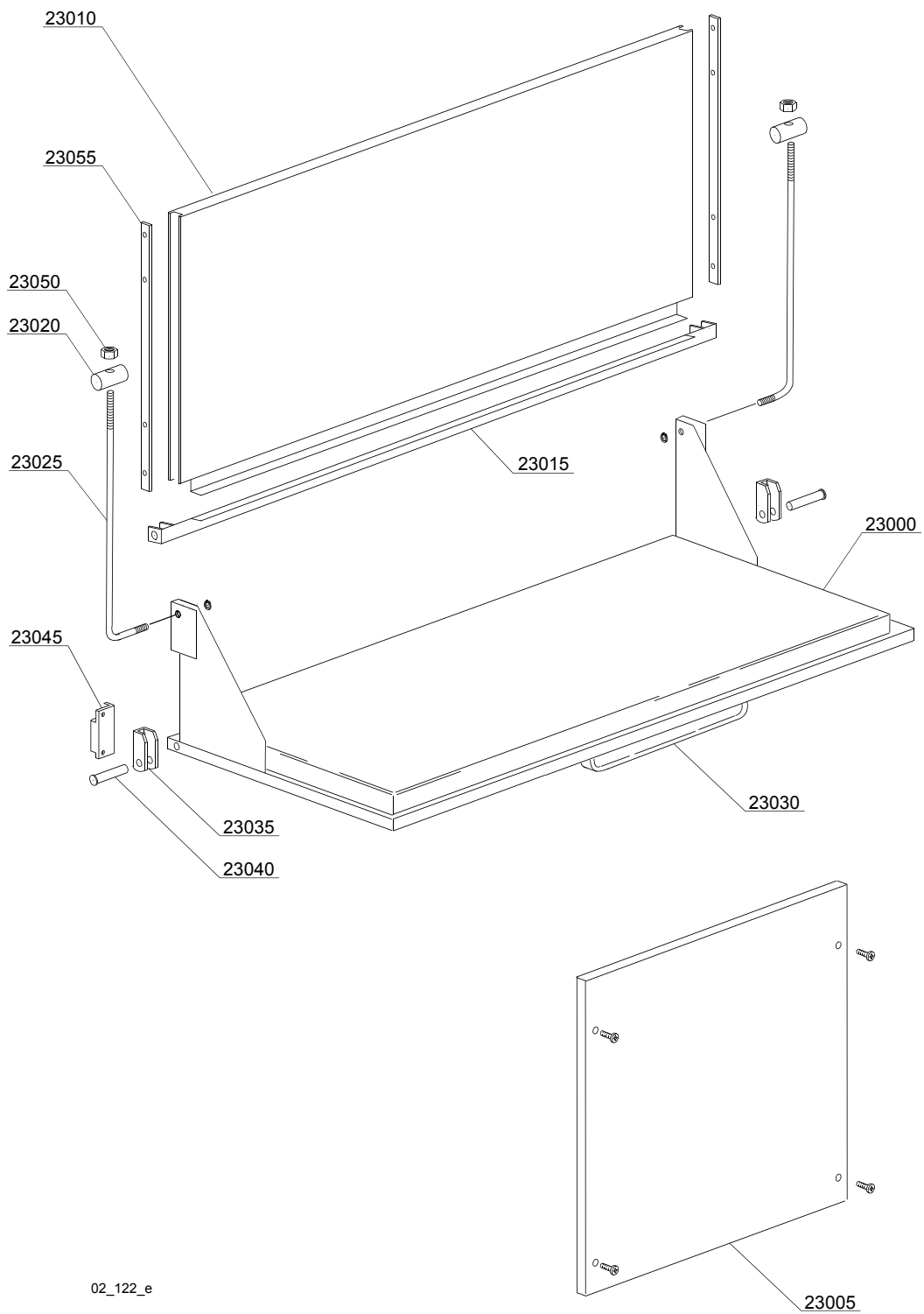
Voltage code	Voltage
A	3/N/PE~400/230V 50Hz
B	~250V 16A 50Hz
C	3/N/PE~380/220V 50Hz
D	3/PE~200V 50-60Hz
F	2/PE 220-240V 50Hz
G	3/N/PE~415/240V 50Hz
H	3/PE~230V 50Hz
I	3/PE~220V 60Hz
J	3/PE~380 50Hz
K	3/PE~400V 50Hz
L	3/PE~415V 50Hz
M	3/PE~440V 60Hz
N	3/PE~460V 60Hz
O	3/PE~480V 60Hz
P	1/N/PE~220-240V 50Hz
R	2/PE~220-230V 60Hz
S	3/N/PE~400/230V 50Hz
T	3/PE~230V 60Hz

1.2 Product codes

Product code	Full name
Model codes	
e	ELECTRONICAL SWITCHES
mc	SIMPLE BODY VERSION
uw	LOWER AND UPPER WASHING
Type codes	
35ER	35ER
Accessory codes	
pap	BOOSTER PUMP
dvgw	DVGW
dde	DETERGENT DISPENSER
ps	DRAIN PUMP

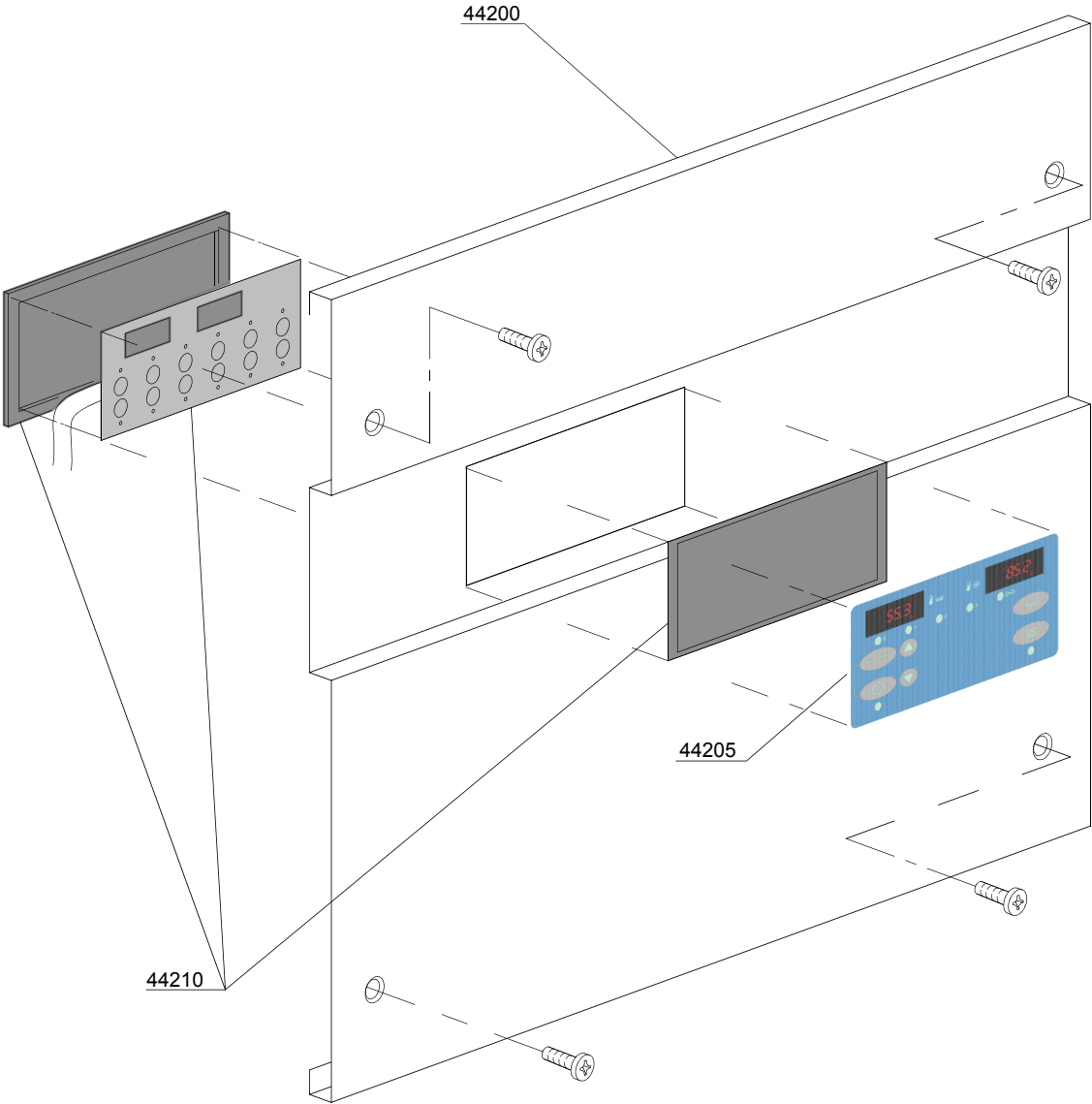
Spare parts

ID	P-code	Model	Type	Accessory	Voltage	Description
MODULE:General body parts						
22800	89909		35ER			Backpanel
22805	89910		35ER			Lower back panel
22810	89902		35ER			Body
22815	11600002		35ER			Flange O-ring
22820	11600019		35ER			Terminal overflow pipe
22825	80936		35ER			Right splash guard
22830	80937		35ER			Left splash guard
22835	80116		35ER			Foot 2" M65
22840	89933		35ER			Overflow pipe
22845	15613		35ER			Elbow 1"
22850	30001011		35ER			Heating element 9 kW
22855	80931		35ER			Chimney splash guard
22860	89903		35ER			Tank
22865	89904		35ER			Base
22870	89905		35ER			Right lower panel
22875	89906		35ER			Side panel
22880	89926		35ER			Upper chimney
22885	89911		35ER			Right rack runner bracket
22890	89912		35ER			Left rack runner bracket
22895	89916		35ER			Front filter with holes
22900	89915		35ER			Rear filter
22905	88302		35ER			Filter basket
22910	88114		35ER			Plug 12 mm
22915	89006		35ER			Sensor holder
22920	2000309		35ER			Sensor
22925	10200171		35ER			Gasket 17x25x2
22930	22214		35ER			Nut
22935	C118		35ER			Rack



02_122_e

ID	P-code	Model	Type	Accessory	Voltage	Description
MODULE: Lockup system						
23000	89901		35ER			Lower door
23005	89907		35ER			Right under-door panel
23010	89900		35ER			Upper door
23015	89922		35ER			Levers support
23020	22219		35ER			Pin
23025	22220		35ER			Door rod
23030	80750		35ER			Handle
23035	22206/B		35ER			Door hinge
23040	22220/A		35ER			Pin for door
23045	80232		35ER			Door magnet
23050	11721		35ER			Nut
23055	80700		35ER			Door guide



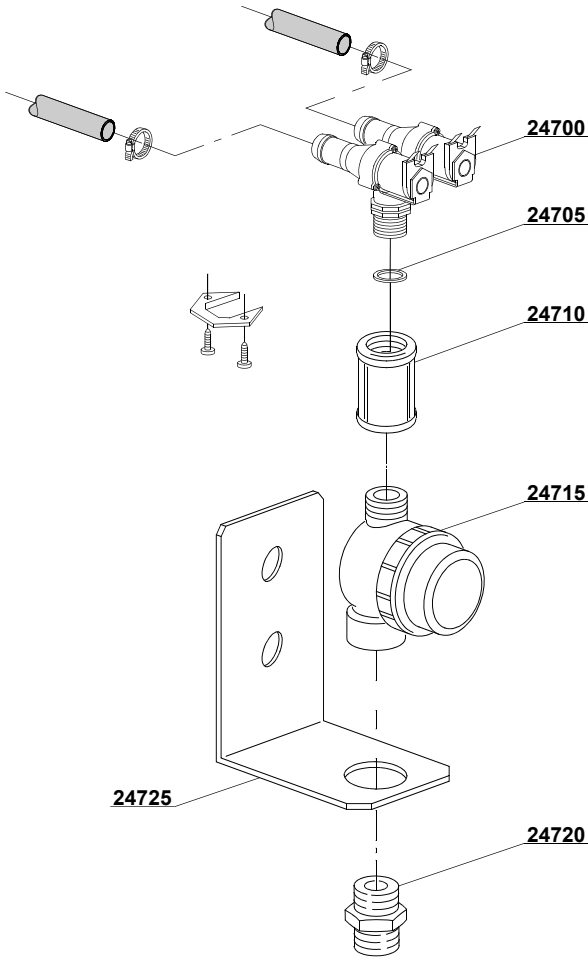
03_050_e

Spare parts

ID	P-code	Model	Type	Accessory	Voltage	Description
MODULE:LP4E Control panel and switches						
44200	89937		35ER			Stainless steel control panel
44205	50571		35ER	dp,ws		Silkscreen processed grill membrane push button-driven dp+ws
44205	50572		35ER			Silkscreen processed grill membrane push button-driven
44205	50575		35ER	dp,ws		Neutral Silkscreen processed grill membrane push button-driven dp+ws
44205	50576		35ER			Neutral Silkscreen processed grill membrane push button-driven
44205	50578		35ER	dp,ws		Silkscreen processed grill membrane push button-driven dp+ws
44205	50579		35ER			Silkscreen processed grill membrane push button-driven
44205	50577		35ER	dp,ws		Bobek Silkscreen processed grill membrane push button-driven dp+ws
44210	50570		35ER			Complete membrane push button-driver
44210	50570/A		35ER			LP Complete membrane push button-driver L=1500

Spare parts

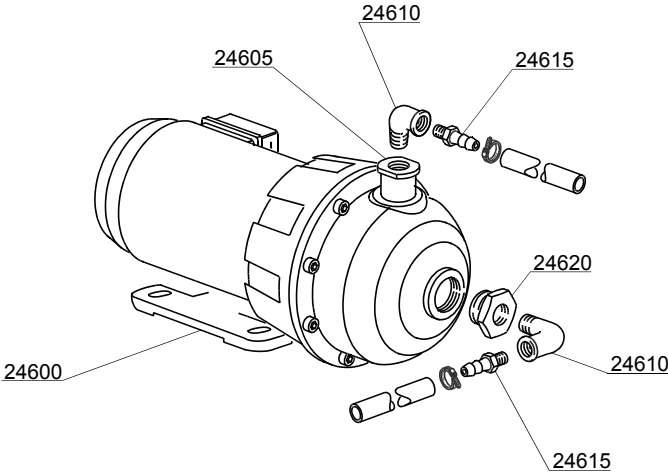
ID	P-code	Model	Type	Accessory	Voltage	Description
MODULE:Electric control components						
23300	50569		35ER		A	Electronic card without chip
23305	15149		35ER			Filter F3
23310	2000430		35ER			Thermostat
23315	2000411		35ER			Automatic fuse C32
23325	10300401		35ER			6/8mm ² yellow/green terminal
23330	50562		35ER			Sensor
23335	80200		35ER			Power supply cable 5x4x3400
23345	80408		35ER			L=345mm slide
23350	80409		35ER			L=140mm slide
23355	80417		35ER			Lead through rubber
23360	80407		35ER			Plastic box
23365	80414		35ER			Cable-press
23385	10300050		35ER			Contacteur 25A/12A 4NA 230V
23390	10300054		35ER			Contacteur 25A/16A 4NA 230V
23395	2907080		35ER			Relay 6-10A
23405	89100/A		35ER			400Vac 3N complet electric box



05_006_e

Spare parts

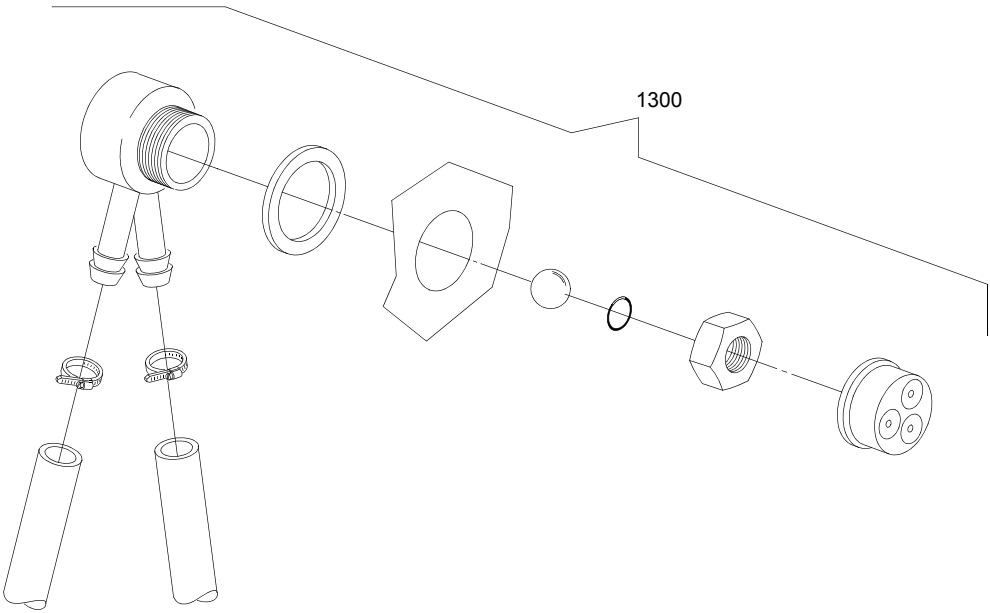
ID	P-code	Model	Type	Accessory	Voltage	Description
MODULE: Solenoid valve group						
24700	30001001		35ER			Solenoid valve
24705	N.C.		35ER			Pression reducing valve
24710	80275		35ER			Pipe coupling
24715	2000121		35ER			Filter
24720	12025		35ER			Coupling
24725	22236		35ER			Support



07_004_e

Spare parts

ID	P-code	Model	Type	Accessory	Voltage	Description
MODULE:Booster pump						
24600	15100/L		35ER	bp		Pump 0,6kW 230V
24605	80273		35ER	bp		Reduction piece
24610	12017		35ER	bp		Elbow fitting 3/8 M-F
24615	10221311		35ER	bp		Hose coupling - 12mm - 3/8"
24620	80272		35ER	bp		Coupling

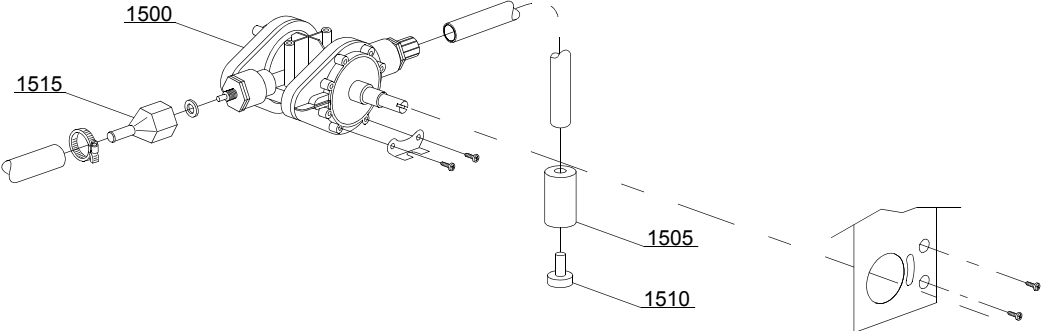


08_005_e

Spare parts

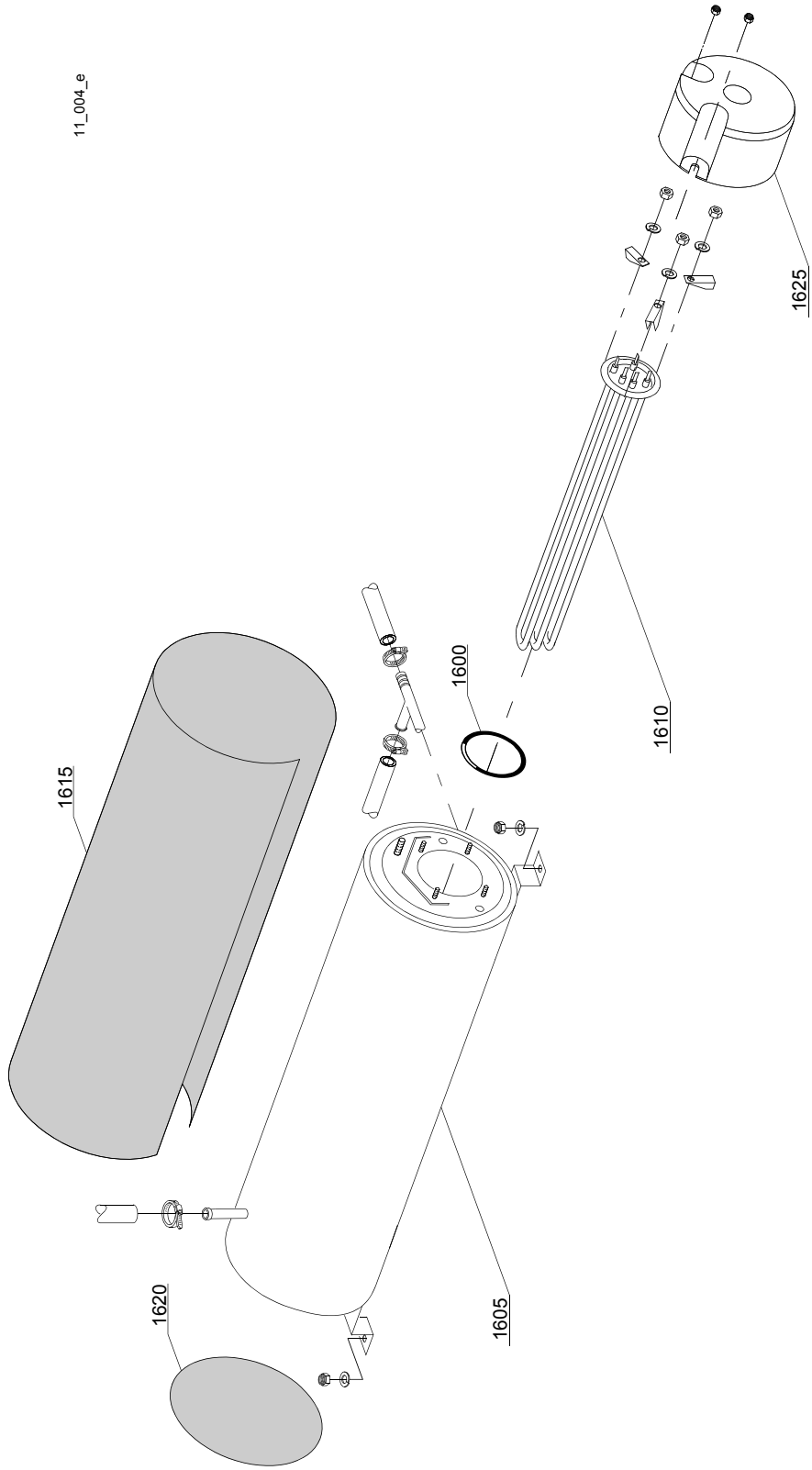
ID	P-code	Model	Type	Accessory	Voltage	Description
MODULE: DVGW						
1300	999900006		35ER	dvgw		DVGW assembly

10_002_e



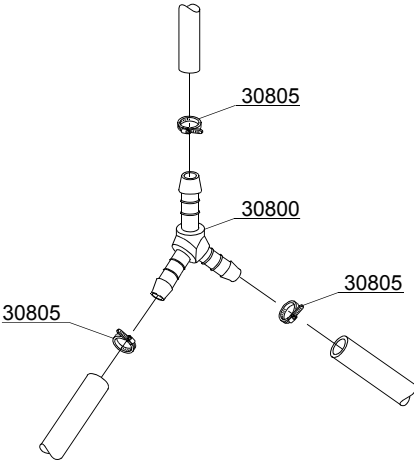
Spare parts

ID	P-code	Model	Type	Accessory	Voltage	Description
MODULE: Rinse aid dispenser group						
1500	10798		35ER			Rinse dosing device
1505	12525		35ER			Counter-weight
1510	15058		35ER			Suction filter
1515	10798/B		35ER			Brass pipe fitting



Spare parts

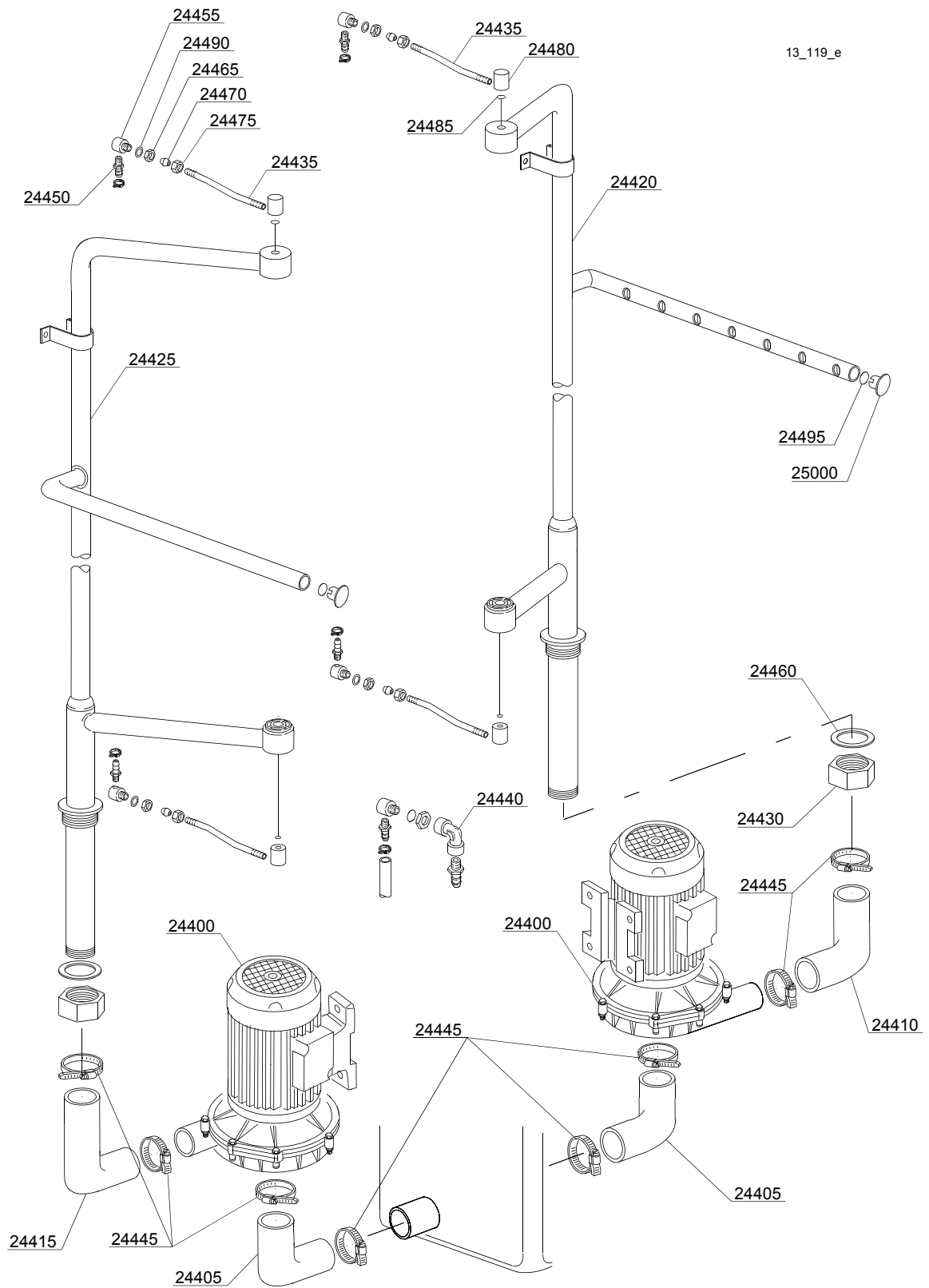
ID	P-code	Model	Type	Accessory	Voltage	Description
MODULE:Boiler group						
1600	13015		35ER			Gasket OR 6225
1605	89005		35ER			Boiler
1610	30001011		35ER			Heating element 9 kW
1615	30002030		35ER			Insulation boiler
1620	75205		35ER			Ø160 end piece
1625	75311		35ER			Casing



12_003ae

Spare parts

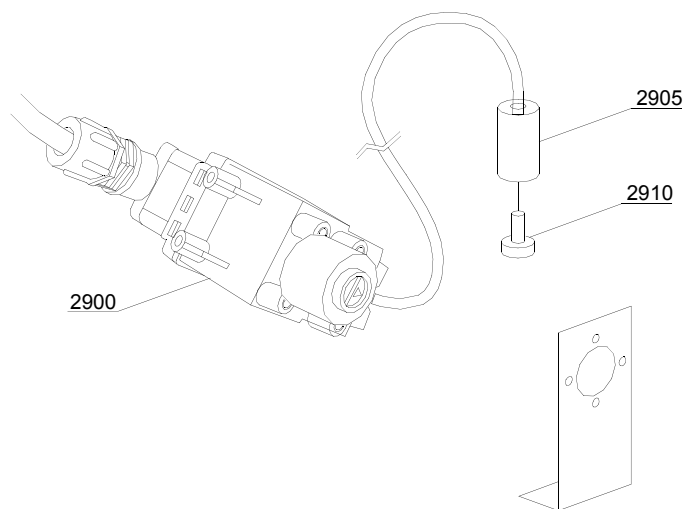
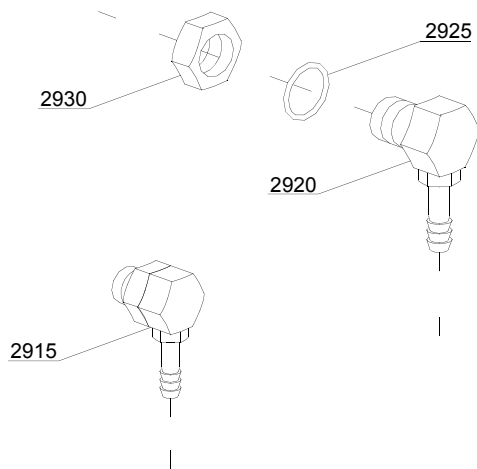
ID	P-code	Model	Type	Accessory	Voltage	Description
MODULE:3 ways connection						
30800	540091		35ER			Ø12 mm plastic 3 ways connection
30805	11807		35ER			Clamp 12-22



Spare parts

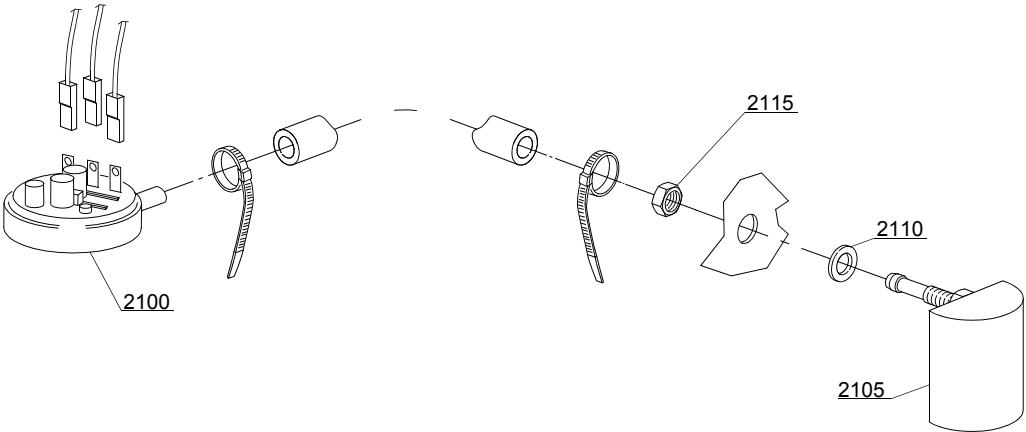
ID	P-code	Model	Type	Accessory	Voltage	Description
MODULE:Wash pump						
24400	80912		35ER			Pump 3,6HP
24405	3002020		35ER			Suction elbow
24410	10200124/A		35ER			Pressure elbow, right
24415	550221		35ER			Left top delivery pipe
24420	89001		35ER			Washpipe, right
24425	89002		35ER			Washpipe, left
24430	88127		35ER			Ramp fixing nut
24435	89004		35ER			Rinsing pipe
24440	12018		35ER			Elbow fitting 3/8 F-F
24445	2902491		35ER			Clamp 60-80
24450	12005		35ER			Rubber holder
24455	80231		35ER			Pipe fitting
24460	10200173/A		35ER			75x58x3 O-ring
24465	10200101		35ER			Nut
24470	10200182		35ER			Cone
24475	10600016		35ER			Nut
24480	10600202		35ER			Coupling
24485	13009		35ER			OR 2050 NBR O-ring
24490	10200171		35ER			Gasket 17x25x2

14_002_e



Spare parts

ID	P-code	Model	Type	Accessory	Voltage	Description
MODULE:Dosing detergent group						
2900	15108/L		35ER	dd		Lang detergent pump
2905	12525		35ER	dd		Counter-weight
2910	15058		35ER	dd		Suction filter
2915	15123		35ER	dd		Compleat plastic injector
2920	15148		35ER	dd		Steel injector
2925	15159		35ER	dd		OR O-ring
2930	10200205		35ER	dd		Nut m12x1

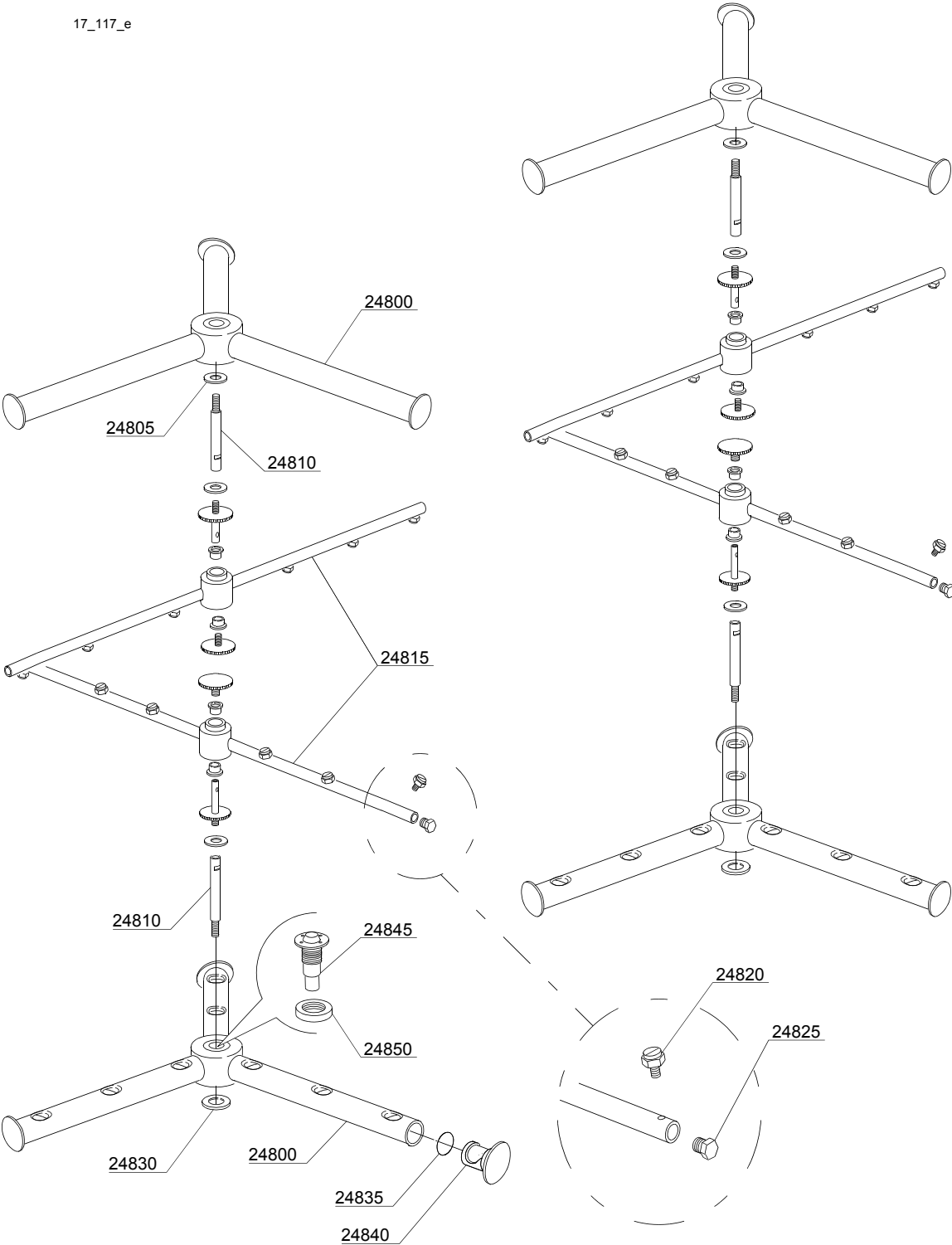


16_001_e

Spare parts

ID	P-code	Model	Type	Accessory	Voltage	Description
MODULE:Pressure switch group with air trap						
2100	88110		35ER			Pressure switch
2105	80106		35ER			Air trap
2110	13301		35ER			Gasket 14x8x1,5
2115	11702		35ER			Nut M8

17_117_e



ID	P-code	Model	Type	Accessory	Voltage	Description
MODULE:Turret group with rotating arms						
24800	90004		35ER			Upper/lower complet wash rotor
24805	13009		35ER			OR 2050 NBR O-ring
24810	80321		35ER			Top shaft
24815	90003		35ER			Rinse group
24820	560018		35ER			Stainless steel rinse nozzle
24825	560017		35ER			Rinse arm plug
24830	11600033		35ER			Flow reduction ring
24835	13023		35ER			O-ring
24840	3003029		35ER			Plug
24845	88975		35ER			Hub for rotor
24850	75317		35ER			Nut for wash arm bearing

Spare parts

ID	P-code	Model	Type	Accessory	Voltage	Description
MODULE:Turret group with rotating arms						
44500	90004		35ER			Upper/lower complet wash rotor
44505	13009		35ER			OR 2050 NBR O-ring
44510	80321		35ER			Top shaft
44515	90003		35ER			Rinse group
44520	10652		35ER			Rinse arm screw
44525	10650		35ER			Rinse arm
44530	10651		35ER			Rinse axle
44535	10659		35ER			Right rinse arm - stainless steel nozzle
44540	10660		35ER			Left rinse arm - stainless steel nozzle
44545	560017		35ER			Rinse arm plug
44550	560018		35ER			Stanless steel rinse nozle
44555	13023		35ER			OR O-ring
44560	3003029		35ER			Plug
44565	75317		35ER			Nut for wash arm bearing
44570	88975		35ER			Hub for rotor