

cookmax+



start!

Kühlung Kühltisch

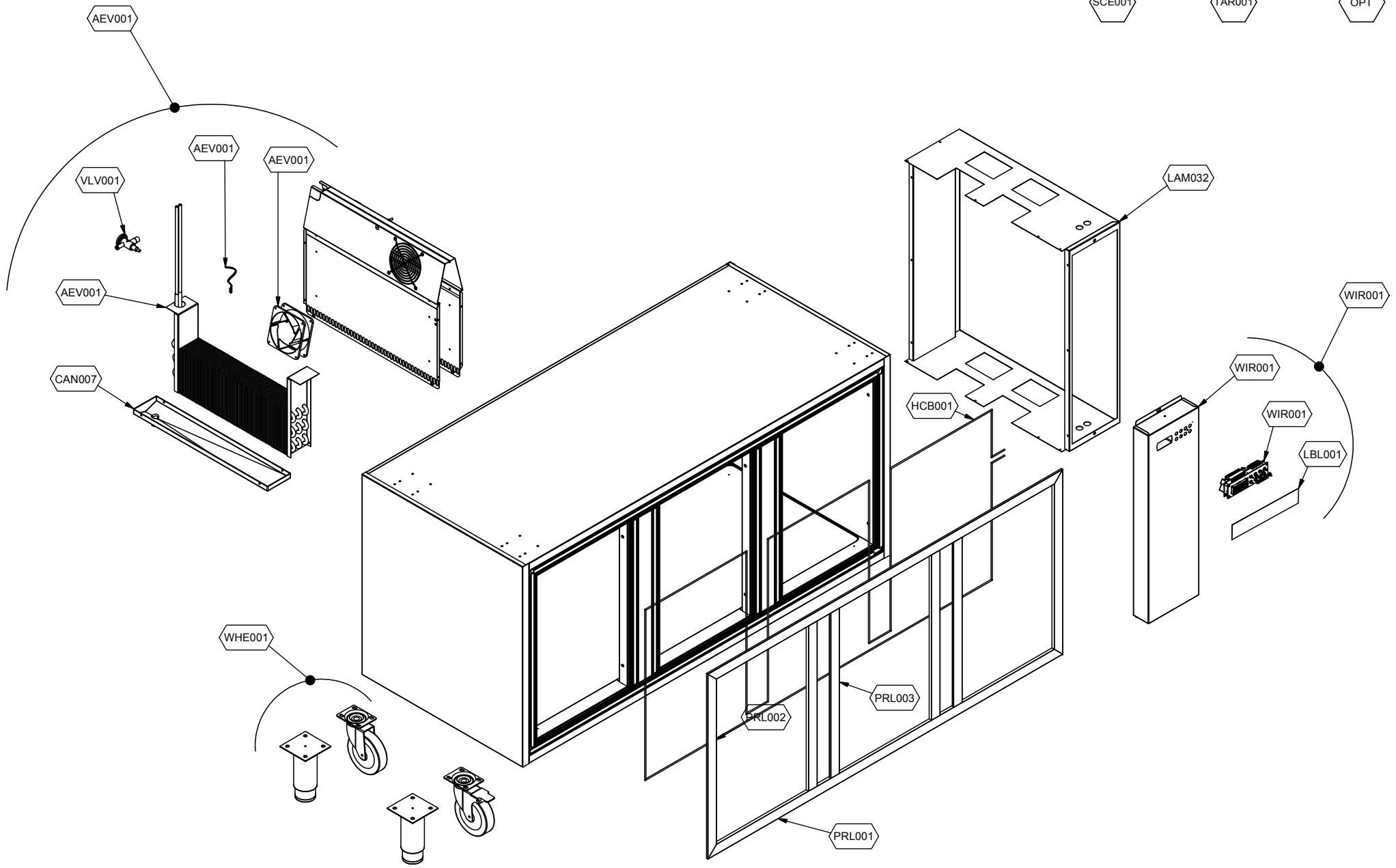
Artikel-Nr.

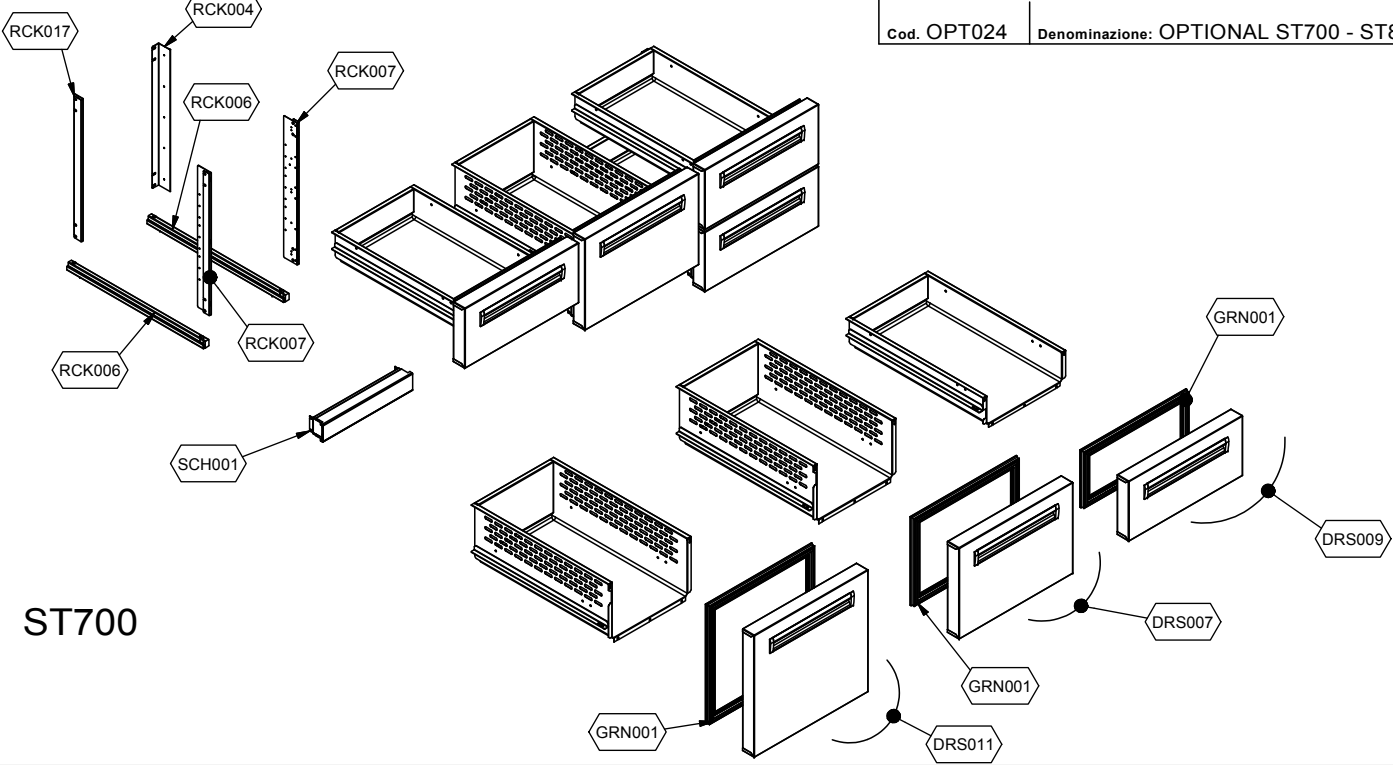
90613037 (7SB73RP4NP001 / SPRINGBIG703TN/S R)

Explosionszeichnung / Ersatzteile

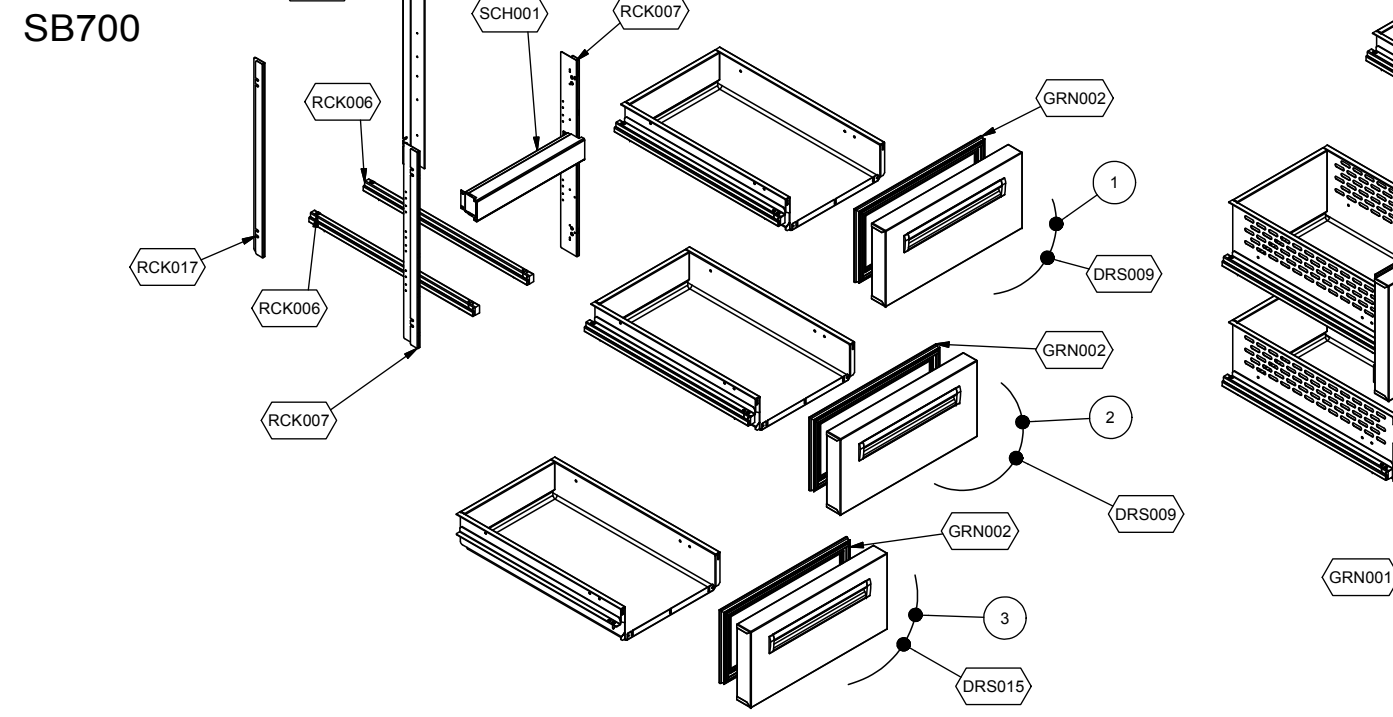
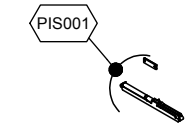
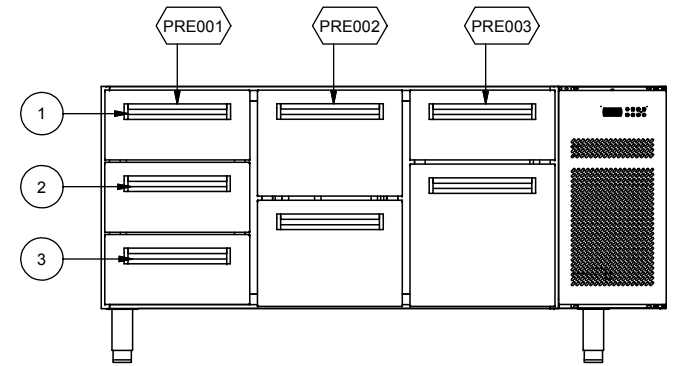
Bitte bei Ersatzteilbestellung immer Artikelnummer und Seriennummer mit angeben!

	PARAM.	OPTIONAL
⚡		
SCE001	TAR001	OPT

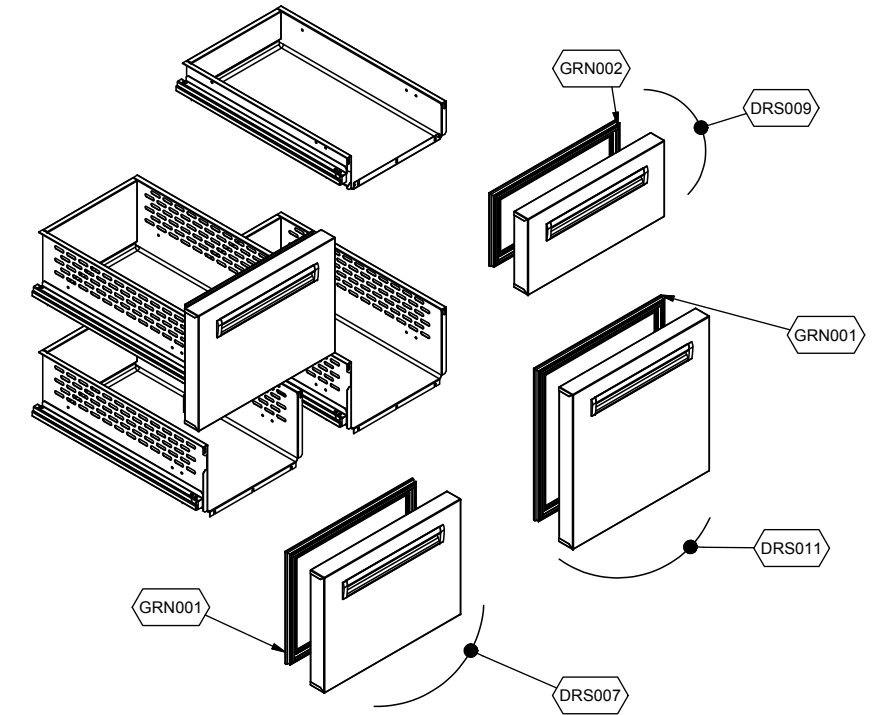


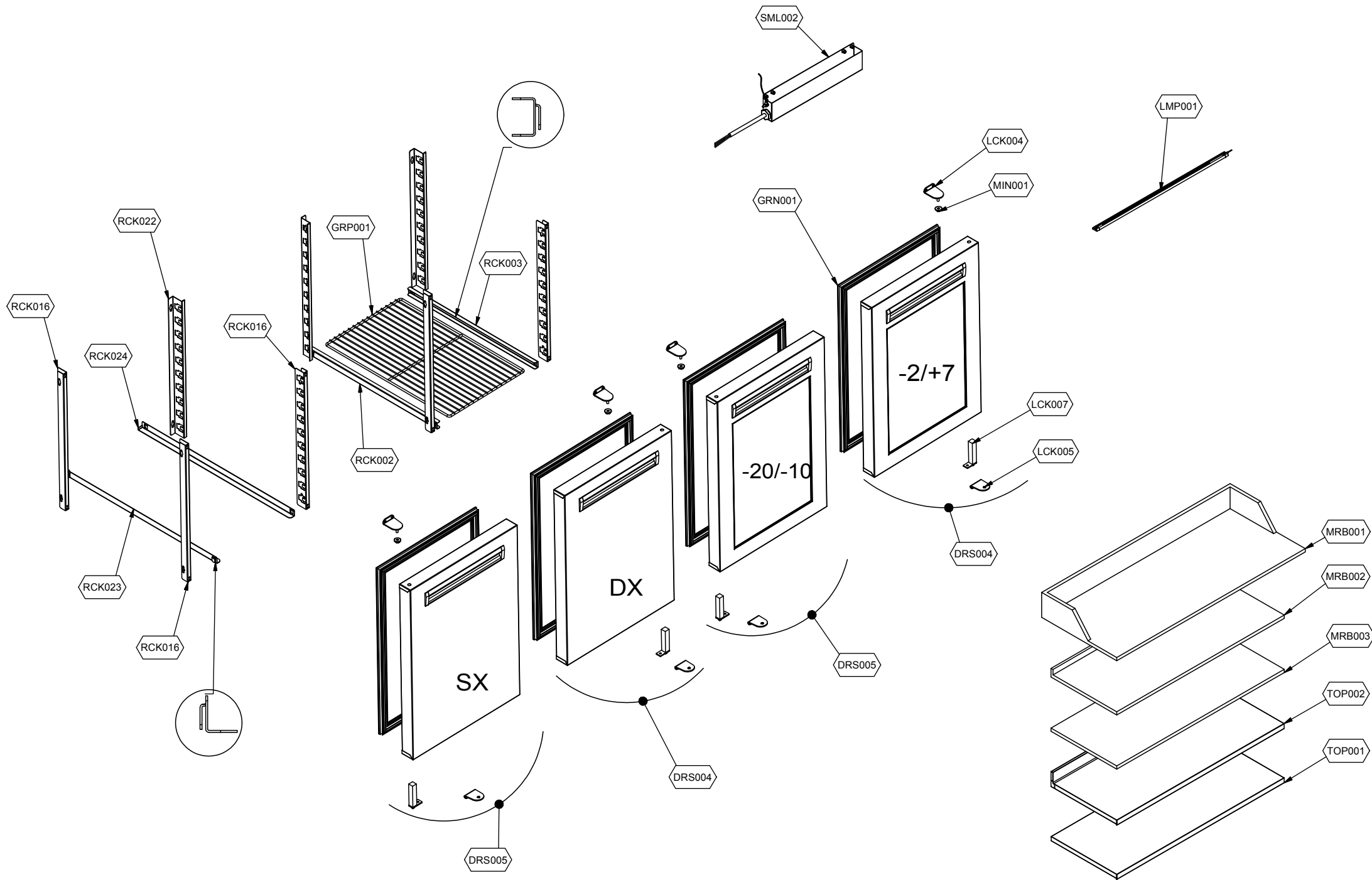


ST700



SB700





Exploded View

Validity: 08/04/2016

7SB73RP4NP001 TAV SPRING BIG 70 3 R TN S D D G.GN 3 GR

ESP331 TAVOLI ST/SB/SP REM.-2/+7°C,

Ref. Drawing	Code	Description
AEV001	73670824	ASS.EVAP.NO VALV.TN 700 2/3P REM.T.SPRIN
CAN007	74708410	VASCHETTA GOCC.TERMOF.TRS 700 GRIGIA
EVA001	73648586	EVAPOR 3RX6T 3/8" 25X25 PASSO 4.5 X 525
FAN006	74847159	VENT.ADDA AA1282HB-AT 230V 50/60HZ 16W
HCB001	73632216	CAVO CALDO DOPPIO ISOL.SPRING BIG 3P
LAM032	72609522	LAM.VANO Q.E.BIG REMOTO T.SPRING
LAM033	72609448	FRONT.Q.E.REM. TSB T.SPRING
LBL001	70709292	ADESIVO EVX 8 TASTI NO MARCHIO REMOTO
PRL001	72607884	PROF.MOB.ORIZ.(PVC Y2BS) 3P T.SPRING
PRL002	72609282	PROF.MOB.VERT.(PVC Y2BS) TSB T.SPRING
PRL003	72609290	PROFILO MOB.MONT.VERT.(Y2BS) TSB.T.SPRIN
SCE001	SC700	SCH.ELET. MEKANO GREEN - ENERGY - SPRING
TAR001	RIF.TAR.I05	PARAMETRI TAVOLI SPRING TN
THE001	74700889	CENTR.EVCO EVX205 5RELE 8TASTI 50/60HZ
THE002	74700916	SONDA NTC IKE 3METRI -50/+105°
VLV001	74877104	VALVOLA TUB R404A MOD 068U2721 ORIF.2
WHE001	74702236	ASS.PIED.QUADRATO 40X40 REG.145-224
WIR001	73688788	ASS.Q.E. TGB REMOTO TAVOLI GREEN

Optional Exploded View

Validity: 08/04/2016

7SB73RP4NP001	TAV SPRING BIG 70 3 R TN S D D G.GN 3 GR
OPT024	OPTIONAL ACCESSORI TAVOLI SPRING

Ref. Drawing	Code	Description
DRS004	73670542	ASS.PORTA DX INOX TSB T.SPRING
DRS005	73670540	ASS.PORTA SX INOX TSB T.SPRING
GRP001	74768000	GRIGLIA PLASTIFICATA GN 1/1 530X326
LCK007	74708094	CERNIERA PIVOT PC PICCOLA
MIN001	74702088	BOCCOLA PVC FASTP.2857.BB00XS
RCK002	74768458	GUIDA INOX A C SX TAVOLI SPRING
RCK003	74768460	GUIDA INOX A C DX TAVOLI SPRING
RCK016	74768456	CREMAGLIERA GN TAVOLI SPRING
RCK022	74768442	CREMAGLIERA POSTERIOR CENTR. T.SPRING