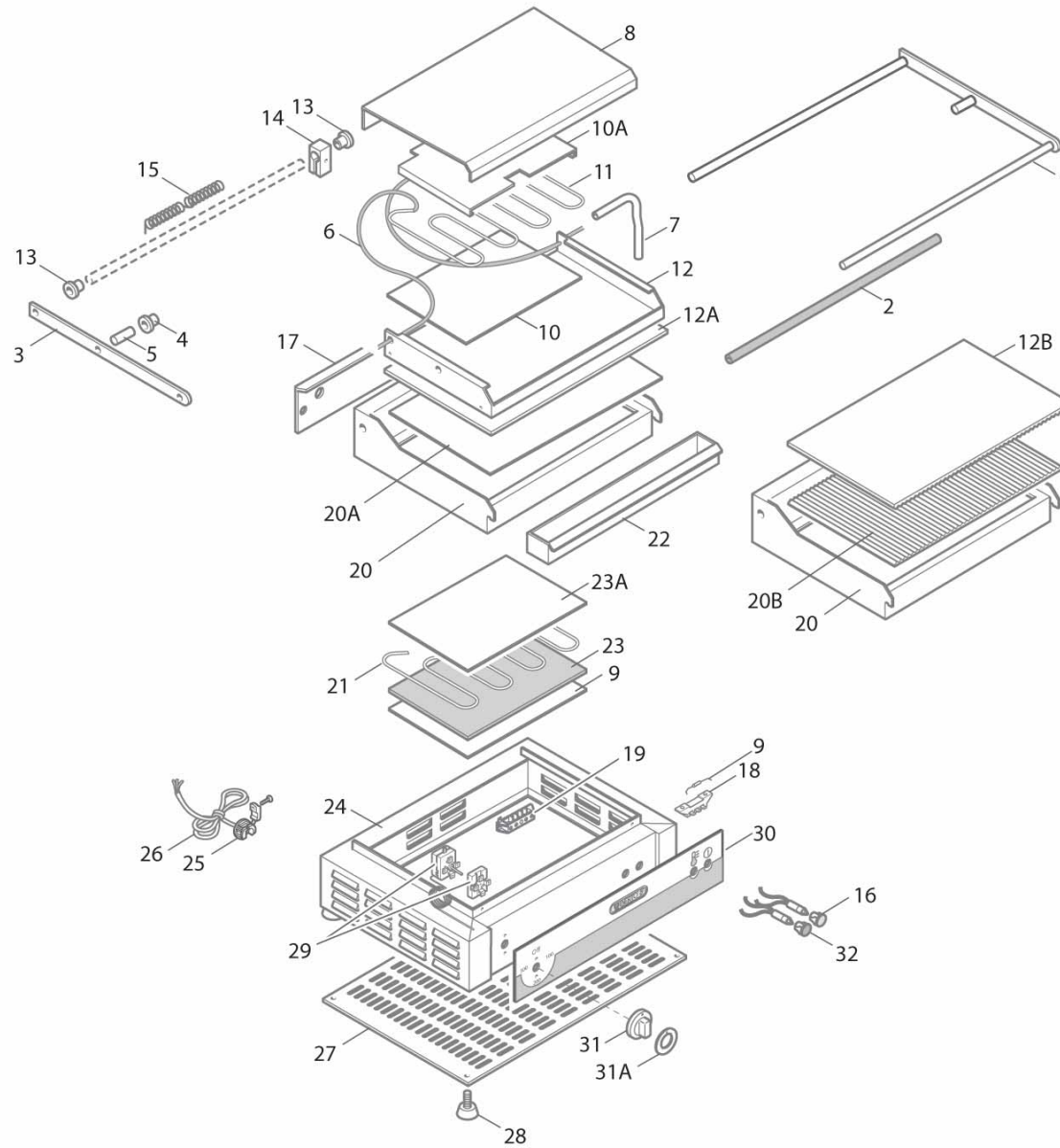




PMR/VTR





PMR/VTR

| Pos. Item | Codice Code | Descrizione | Item Description | Designation articles | Artikelbeschreibung | Decripción artículos | N° pezzi - No. pieces | | | | | |
|-----------|-------------|-------------------------------------|-----------------------------------|------------------------------------|---------------------------------|----------------------------------|-----------------------|--|--------------------|--|---------|---|
| | | | | | | | | | | | PMR/VTR | |
| 1 | 30876300 | Ass. maniglia dx pm | Handle assembly rh pm | Po. complete droite pm | Kompletter griff pm | Conjunto asa dcha. pm | | | | | | 1 |
| 2 | 30875400 | Manico moplen rosso pm | Red moplen pin pm | Ma. moplen rouge pm | Roter moplen griff pm | Asa moplen roja pm | | | | | | 1 |
| 3 | 30875700 | Manico laterale ps/pm/pd zn | La. handle ps/pm/pd zn | Ma. latÉral ps/pm/pd zn | Seit. griff ps/pm/pd zn | Asa la. ps/pm/pd zn | | | | | | 1 |
| 4 | 30779900 | Boccola zincata x piastre st/sx/vtr | Galvanised bushing | Douville galvanisÉe | Verzinkte buchse | Boquilla cincada | | | | | | 2 |
| 5 | 30908100 | Perno laterale per piastra zn | Lateral pin | Pivot latÉral | Seitlicher bolzen | Perno lateral | | | | | | 1 |
| 6 | 30193400 | Tu. vetrotex d.5 l.250 mm | Glass tube | Tube verre | Isolierend kleines rohr fuer | Tubo vidrio | | | | | | 2 |
| 7 | 30810100 | Curvetta passafili dx ps/pm/pd | Rh angle conduit | Co. de protection cÂbles droite | R.gebogenes stÜck draht. | Codo para cables derecho | | | | | | 1 |
| 8 | 30804700 | Coperchio pm st/vtr | Lid pm st/vtr | Cou. pm st/vtr | De. pm st/vtr | Tapa pm st/vtr | | | | | | 1 |
| 9 | 30978100 | Termofusibile 152°C - 15a | Thermofuse 152°C - 15a | Thermofusible 152°C - 15a | Thermoschmelzdraht 152°C - 15a | Termofusibile 152°C - 15a | | | | | | 1 |
| 10A | 30809600 | Ass. premir. coperchio pm/vtr | Heating element presser | Cou. presse-rÉsistance | Deckelwider. | Tapa prensa-resistencia | | | | | | 2 |
| 10 | 30868700 | Lastra protez. ferro media | Middle protective sheet | Pl. de protection moyenne | Einzelne schutzplatte | Placa de proteccion media | | | | | | 1 |
| 11 | 30024100 | Res.sup.compl. 1000w-230v pm | 1000w-230v-1000w-230v pm | RÉsistance 1000 w - 230 v | Widerstand 1000 w - 230 v | Resistencia 1000 w - 230 v | | | | | | 1 |
| 12B | 30911700 | Vetro super. pm. 204x341 | Top glass pm. 204x341 | Verre supÉ. pmr/vtr 204x341 | Ob. glas pmr/vtr 204x341 | Cr. superior pmr/vtr 204x341 | | | | | | 1 |
| 12A | 30911600 | Vetro superiorepm/vtr 204x341 | Top glass pm/vtr 204x341 | Verre supÉrieure pm/vtr 204x341 | Oberes glas pm/vtr 204x341 | Cristal superior pm/vtr 204x341 | | | | | | 1 |
| 12 | 30809400 | Cornice coperchio pm/vtr | Cover frame pm. | Cadre du cou. pm/vtr | Decke. pm/vtr | Marco tapa pm. | | | | | | 1 |
| 13 | 30780200 | Bo. zn con cava ps/pm/pd sx/st/vtr | Bushing with cavity | Douille creuse | Buchse mit nut | Boquilla ranurada | | | | | | 2 |
| 14 | 30779100 | Blocco frizione ps/pm/pd st-vtr | Clutch blockage ps/pm/pd st-vtr | Blocage friction ps/pm/pd st-vtr | Blockung fuer kupplung | Bloqueo friccion | | | | | | 1 |
| 15 | 30613100 | Molla pd/vtr | Spring pd/vtr | Ressort pd/vtr | Feder pd/vtr | Muelle pd/vtr | | | | | | 1 |
| 16 | 30168800 | Spia verde 230v d.10mmt150Ø | Green lamp 230v | Temoin lumineux vert 230v | Grune kontrollampe 230v | Piloto verde 230v | | | | | | 1 |
| 17 | 30790300 | Carter pm/st-vtr | Rear ca. pm/st-vtr | Ca. arriÉre pm/st-vtr | Hin. gehÄuse pm/st-vtr | Ca. posterior pm/st-vtr | | | | | | 1 |
| 18 | 30184800 | Morsettiera laterale fv 77/3 | Lateral terminal board fv 77/3 | Bornier latÉral fv 77/3 | Sei. klemmenleiste fv 77/3 | Bornera lateral fv 77/3 | | | | | | 1 |
| 19 | 30183800 | Morsettiera a 3 poli fv 110 b | Terminal board 3 poles | Bornier 3 poles | Klemmenleiste | Bornera 3 polos | | | | | | 1 |
| 20B | 30912000 | Vetro inf. pm/vtr 235x376 | Lower glass pm. 235x376 | Verre infÉ. pm/vtr 235x376 | Un. glas pm/vtr 235x376 | Cr. inferior pm/vtr 235x376 | | | | | | - |
| 20A | 30912100 | Vetro infer. pmr/vtr 235x376 | Lower glass pm. 235x376 | Verre infÉ. pmr/vtr 235x376 | Un. glas pmr/vtr 235x376 | Cr. inferior pmr/vtr 235x376 | | | | | | 1 |
| 20 | 30910900 | Ass.piastra inferiore pm/vtr | Lower plate pm/vtr | Plaque infÉrieure pm/vtr | Untere platte pm/vtr | Placa inferior pm/vtr | | | | | | 1 |
| 21 | 30024300 | Res.inf.compl.1500w-230v pm | 1500w-230v-1500w-230v pm | RÉsistance 1500 w - 230 v | Widerstand 1500 w - 230 v | Resistencia 1500 w - 230 v | | | | | | 1 |
| 22 | 30792000 | Ass.cassetto racco. pm | Drip tray pm | Bac recueille-sauces pm | SammelgefÄsse pm | Cassoneta raccogehatop pm | | | | | | 1 |
| 23A | 30868100 | Last.copri resist/vetro pm/vtr | Lower he. elem. cover sheet | Pl. cache-rÉsistance infÉrieure | Un. widerstandsdeckelplatte | Placa cubre-resistencia inferior | | | | | | 1 |
| 23 | 30921800 | Qua. isomart ps/pd-pm/vtr 210x170x4 | Isomart panel 210x170x4 | Tableau isomart 210x170x4 | Isoli. trenner 210x170x4 | Panel isomart 210x170x4 | | | | | | 2 |
| 24 | 30863500 | Ass.involucro base pm/ld-vtr-st-sx | Base enc. pm/ld-vtr-st-sx | Couv. base pm/ld-vtr-st-sx | HÜlle basis pm/ld-vtr-st-sx | Env. base para vtr-st-sx | | | | | | 1 |
| 25 | 30185400 | Passacavo pa 277 i.m.q. | Cable guide | Passe-cÂble | KabelfÜhrung | Aislador pasapanel | | | | | | 1 |
| 26 | 30192400 | Cavo 3x1.5 ps/pm | Power su. cable 3 x 1,5mm | Cable d'alim. 3 x 1,5mm | Versorg. 3 x 1,5mm | Cable de alime. 3x1,5 mm. | | | | | | 1 |
| 27 | 30838200 | Fondo per pm/ld-st-vtr | Bo. pm/ld-st-vtr | Fond pm/ld-st-vtr | Bodenplatte pm/ld-st-vtr | Fondobordo pm/ld-st-vtr | | | fondo pm/ld-st-vtr | | | 1 |
| 28 | 30684100 | Piedi. d.30xm8condado basso h.6mm | Foot h.6mm | Pied h.6mm | Fuss h.6mm | Pata h.6mm | | | | | | 4 |
| 29 | 30064600 | Termostato 270°C. + commutatore | 270°C thermostat + cycle selector | Ther. 270°C + commutateur de cycle | Ther. 270°C + umschalter zyklus | Termostato 270°C + conmutador | | | | | | 1 |
| 30 | 30899400 | Pan. piastra media berto's | Berto's adhesive panel | Panneau adhÉsif berto's | Haftendes paneel berto's | Panel adhesivo berto's | | | | | | 1 |
| 31A | 31953500 | Serig.rossa manop.frytop/forno | Knob serigraphy | Serigraphie manette | Drehknopfserigraphie | Serigrafia mando | | | | | | 1 |
| 31 | 35877200 | Man. rossa p. 6x4.6 a o° ral3000 | Red knob p. 6x4.6 a o° ral3000 | Ma. rouge p. 6x4.6 a o° ral3000 | Drehknopf p. 6x4.6 a o° ral3000 | Mando rojo p. 6x4.6 a o° ral3000 | | | | | | 1 |
| 31 | 35876200 | Manopola rossa p. 6x4.6 a o° | Red knob 6x4.6 o° c | Manette rouge 6x4.6 o° c | Drehknopf 6x4.6 o° c | Mando rojo 6x4.6 o° c | | | | | | 1 |
| 32 | 30168500 | Spia arancio 230v d.10mmt150Ø | Orange lamp 230v | Temoin lumineux orange 230v | Orange kontrollampe 230v | Piloto naranja 230v | | | | | | 1 |