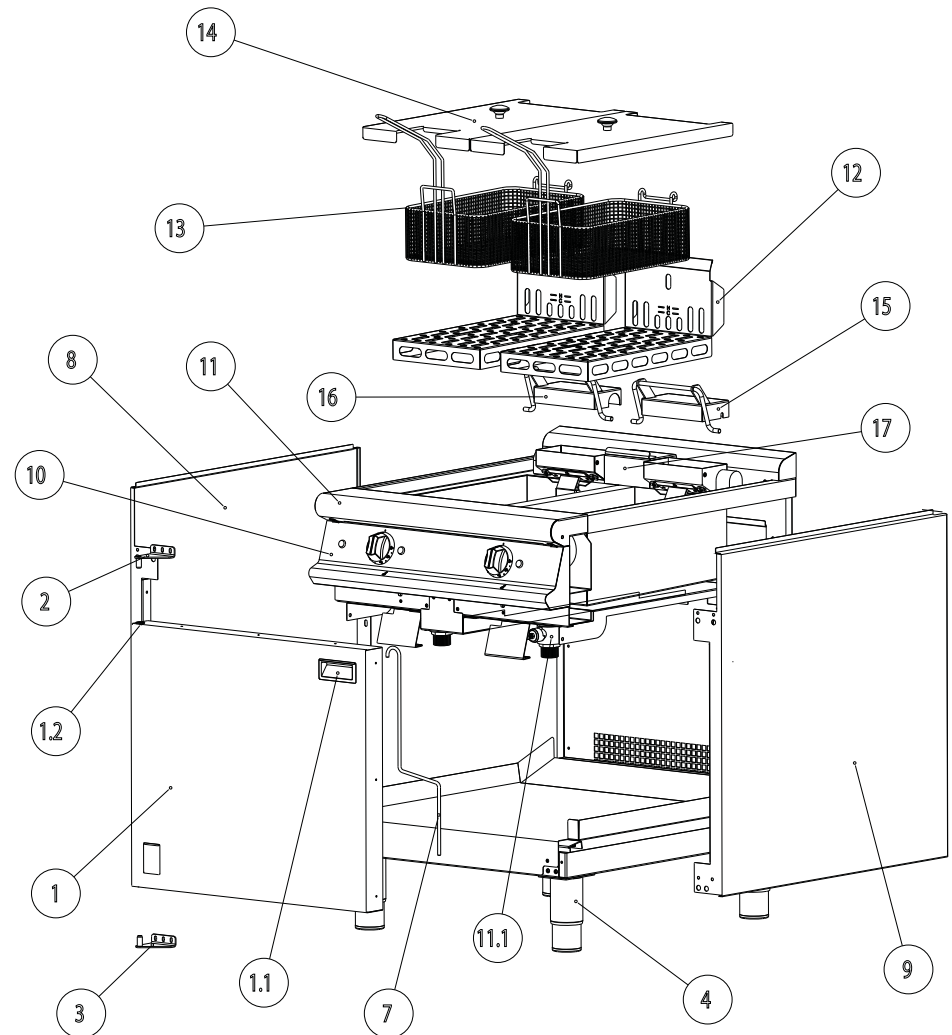


DOMINATOR PLUS

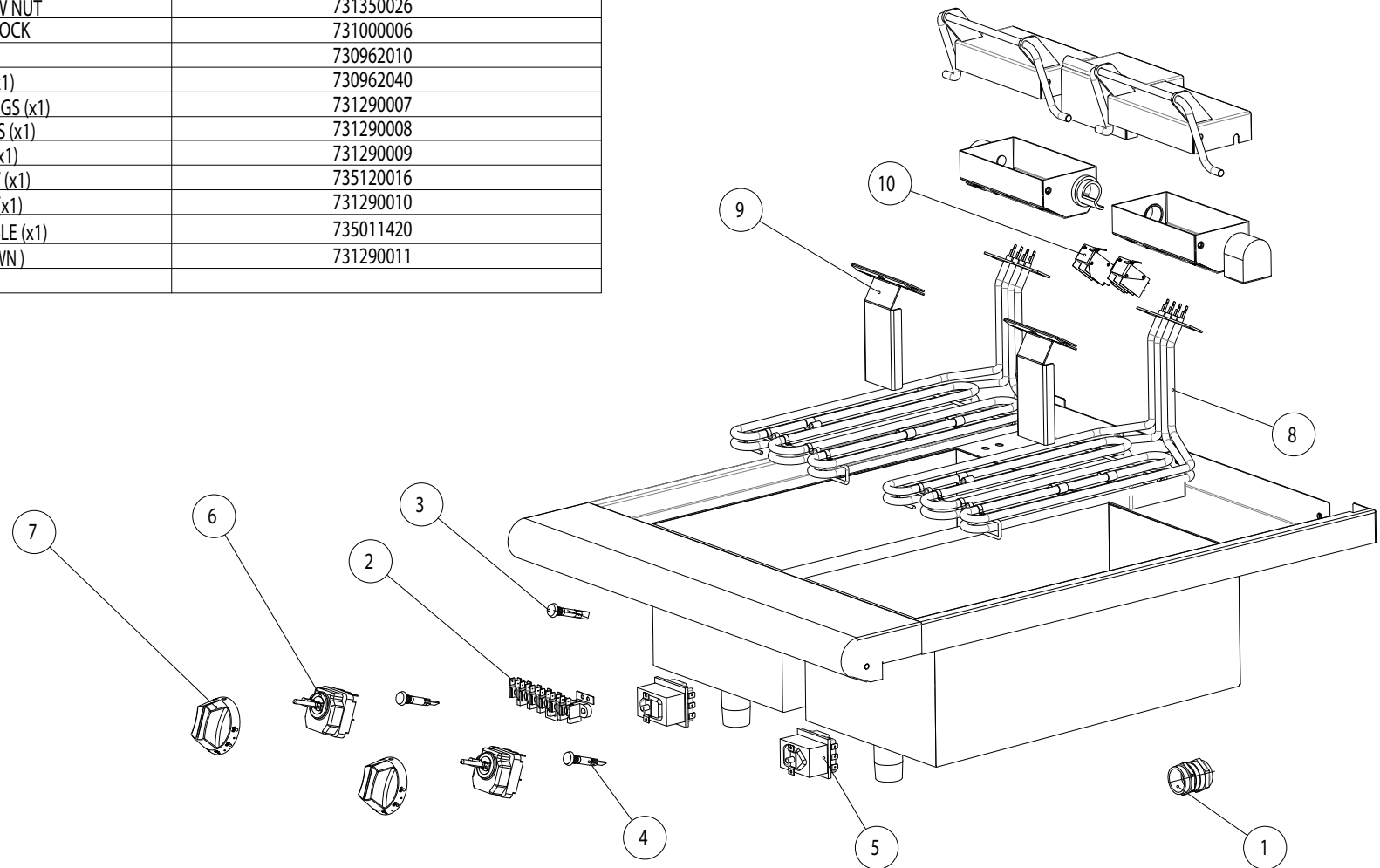
ITEM	DESCRIPTION	SPARES No
1	DOOR ASSEMBLY	731330000
1.1	DOOR HANDLE	736010020
1.2	DOOR HINGE BUSH (x2)	536060036
2	DOOR HINGE - TOP	535200006
3	DOOR HINGE - BOTTOM	535200007
4	ADJUSTABLE FOOT	535480067
5	CASTOR - BRAKED (x2) - NOT SHOWN	536430110
6	CASTOR - FIXED (x2) - NOT SHOWN	535290031
7	DRAIN PROD / LIFTING TOOL	731350012
8	OUTER SIDE PANEL - RH	535580002
9	OUTER SIDE PANEL - LH	535580003
10	CONTROL PANEL	731290000
11	HOB/PAN ASSEMBLY C/W DRAIN VALVE	731290001
11.1	DRAIN VALVE ASSEMBLY	534510060
12	ELEMENT GUARD (x1)	731290002
13	CHIP BASKET (x1)	531690740
14	DUST COVER (x1)	731290003
15	ELEMENT BOX LID RH C/W BASKET HANGER /ELEMENT STAY	731290004
16	ELEMENT BOX LID LH C/W BASKET HANGER /ELEMENT STAY	731290005
17	WIRE BOX LID C/W ELEMENT STAY BRACKET	731290006



Issue	Alteration	Date	Product	Document Reference
A	-	06/01/15	E3862	AD51979

DOMINATOR PLUS

ITEM	DESCRIPTION	SPARES No
1	MAINS CABLE GLAND C/W NUT	731350026
2	MAINS TERMINAL BLOCK	731000006
3	RED NEON	730962010
4	AMBER NEON (x1)	730962040
5	SAFETY STAT C/W FITTINGS (x1)	731290007
6	OP STAT C/W FITTINGS (x1)	731290008
7	CONTROL KNOB (x1)	731290009
8	ELEMENT 230v 6kW (x1)	735120016
9	ELEMENT CLAMP (x1)	731290010
10	MICROSWITCH KIT (DOUBLE) (x1)	735011420
11	WIRING LOOM (NOT SHOWN)	731290011



Issue	Alteration	Date	Product	Document Reference
A	-	06/01/15	E3862	AD51980