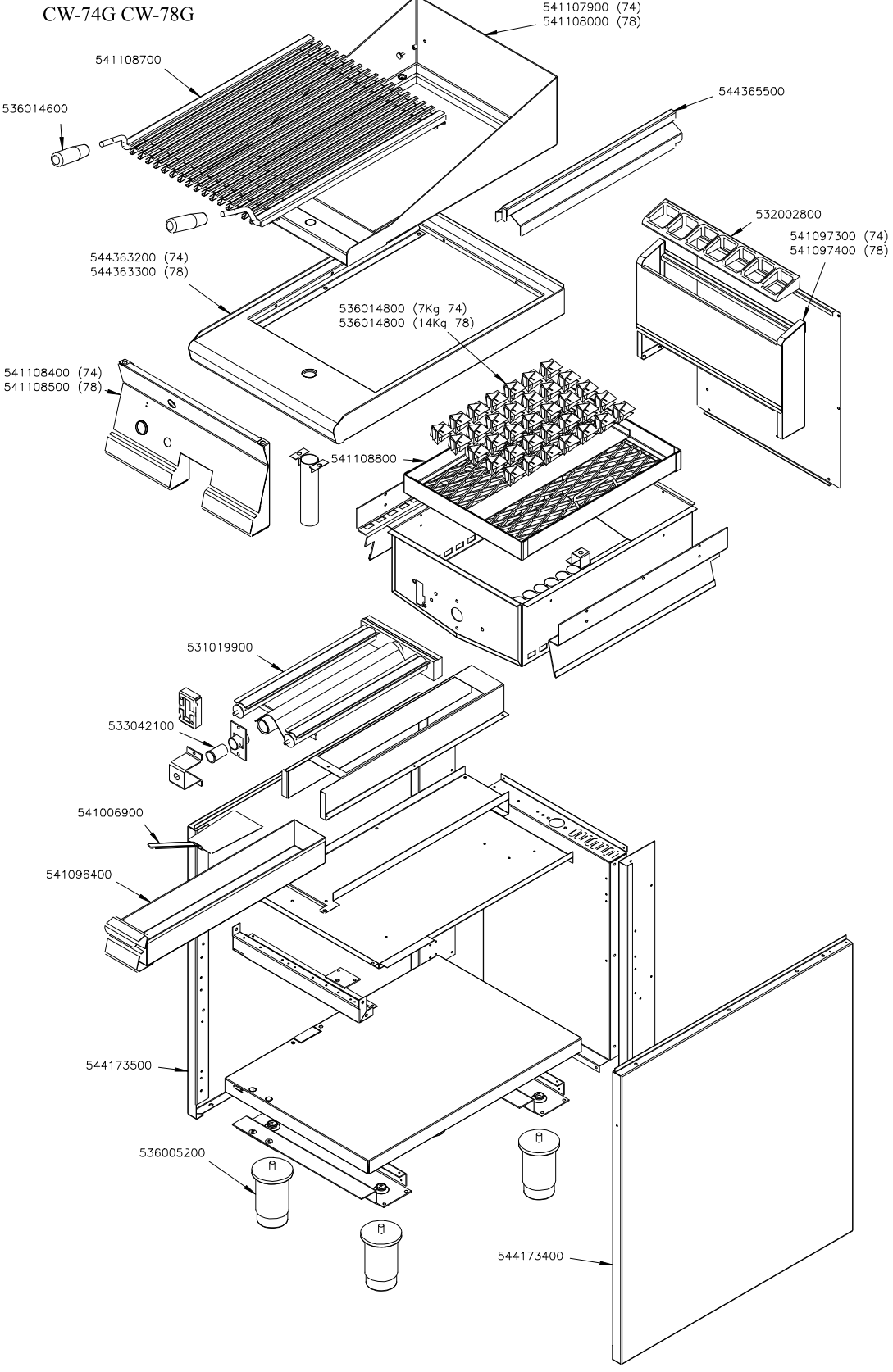
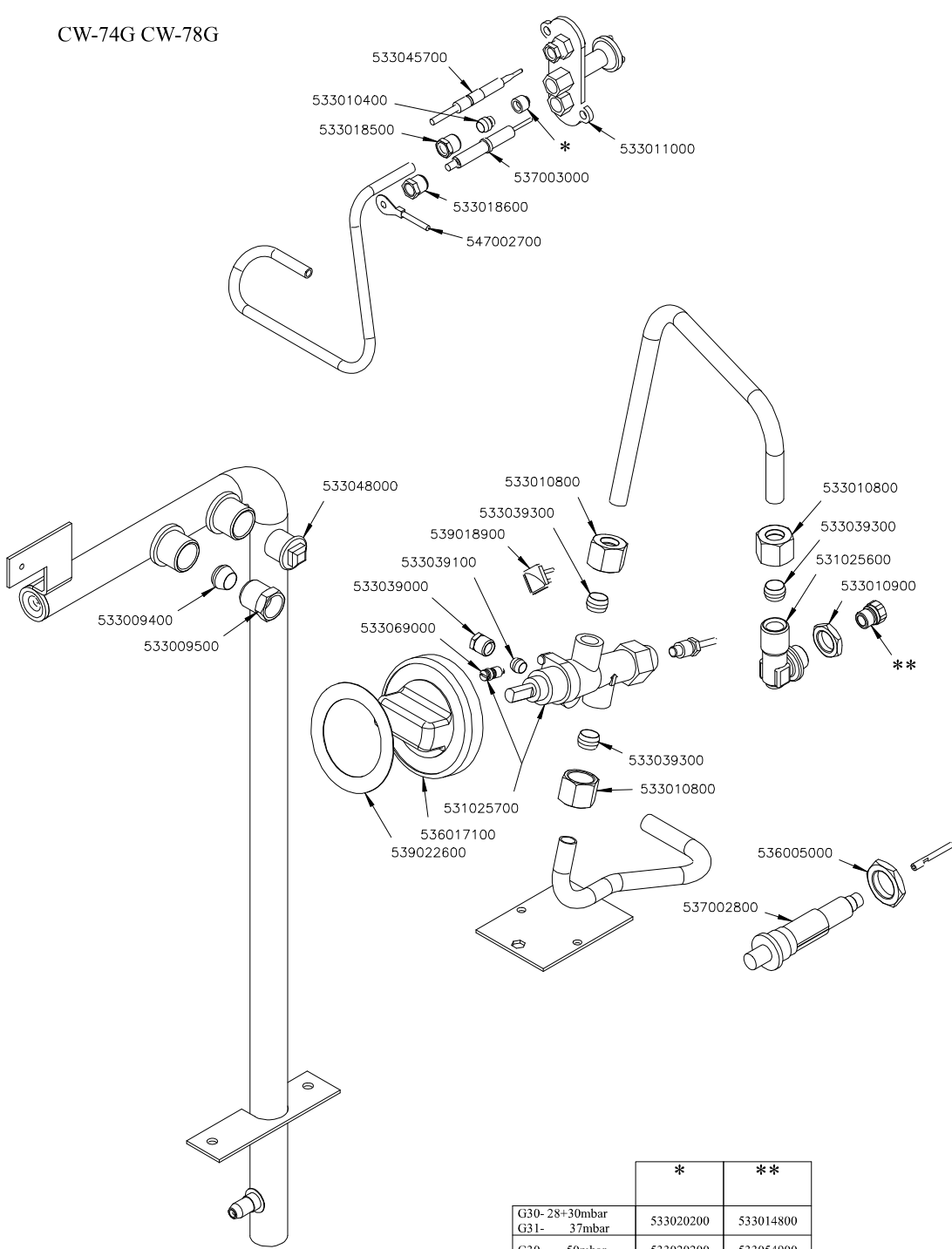


CW-74G CW-78G



CW-74G CW-78G



	*	**
G30- 28+30mbar	533020200	533014800
G31- 37mbar		
G30- 50mbar	533020200	533054900
G20- 20mbar	533020400	533044000
G25- 25mbar	533020400	533044000
G20- 20mbar	533020400	533044000
DE-AT		
G25- 20mbar	533020400	533055100
G25- 25mbar	533020400	533055000
NL		

Page	Pos	Code	Description
001		541108000	SPLASH GUARD CW-78
001		541108700	GRID CW-G S.70
001		536014600	GRIP D.28*90*M10 CW
001		544365500	CENTRAL TOP FOR SPLASH GUARD CW78
001		532002800	GRID FOR PIPE L=370 S.70
001		541097400	SPACER 78G - 2 DRAINS
001		544363300	
001		536014800	LAVASTONE
001		541108500	CONTROL PANEL CW-78/98G
001		541108800	STONE SUPPORTING FRAME CW-74G
001		531019900	BURNER CW-G 60-65-70 LINES
001		533042100	AIR ADJUSTMENT BUSHING CW-G
001		541006900	SPATTLE FT
001		541096400	DRIP TRAY FT S.70
001		544173500	LEFT SIDE PANEL S.70
001		536005200	INOX LEG 2" 120-180 M10
001		544173400	RIGHT SIDE PANEL S.70
002		533045700	THERMOCOUPLE M9*1 500
002		533010400	BICONE D.6
002		533018500	FITTING FOR BICONE D.6 M10*1
002		533011000	PILOT BURNER 3 FLAMES 320
002		537003000	PLUG M4 - LONG ELECTRODE
002		533018600	PLUG FITTING
002		547002700	HIGH-VOLTAGE CABLE L=500
002		533048000	THREADED CAP 3/8"G
002		533009400	BICONE 10S
002		533009500	NIPPLE FOR BICONE 10S
002		533010800	TUBE NUT D.10 M16*1,5
002		533039300	BICONE §10
002		539018900	INDEX FOR KNOB
002		533039100	BICONE §6
002		533039000	NUT FOR PILOT TUBE §6
002		533069000	BY PASS COCK §70 20S-21S
002		531025600	ELBOW 90° NOZZLE-HOLDER §10 PIPE
002		533010900	NUT M14*1 H.4
002		531025700	SAFETY TAP 21S-B PEL21S22070
002		536017100	BLACK KNOB §70 PIN §8*6,5
002		539022600	GRADUATED STICKER FOR KNOB
002		537002800	PIEZOELECTRIC IGNITION M18
002		536005000	NUT M18 FOR PIEZOELECTRIC IGNITION
002		533020200	PILOT JETS 0160 FOR LPG §30
002		533014800	NOZZLE §135 CH12*14,0
002		533054900	NOZZLE §120 CH12*14
002		533020400	NOZZLE 0160 (NATURAL GAS) 51
002		533044000	NOZZLE §195 CH12*14 M-CW4
002		533055100	NOZZLE §215 CH12*14 L-CW4
002		533055000	NOZZLE §205 CH12*14 G25 CW4