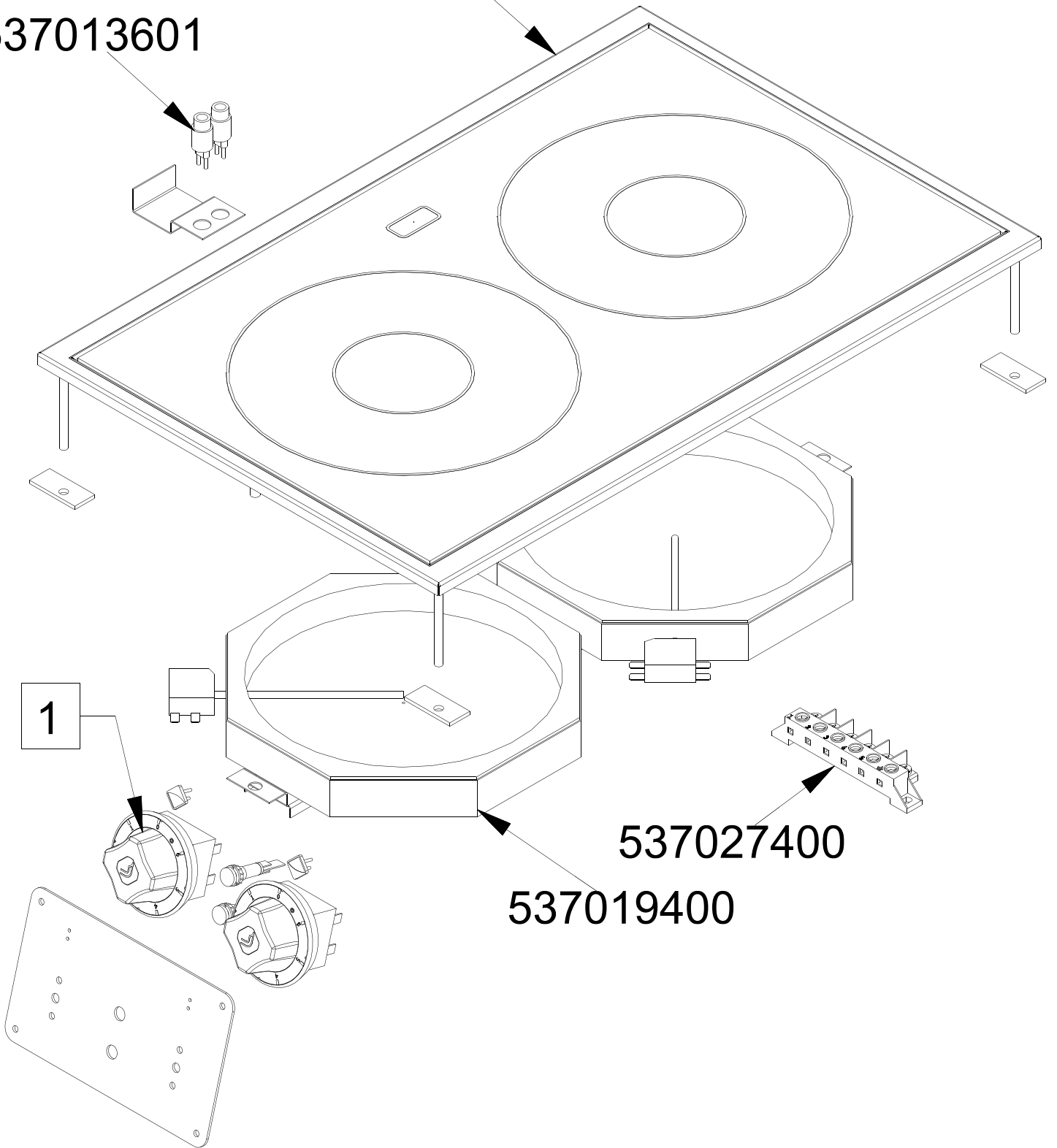


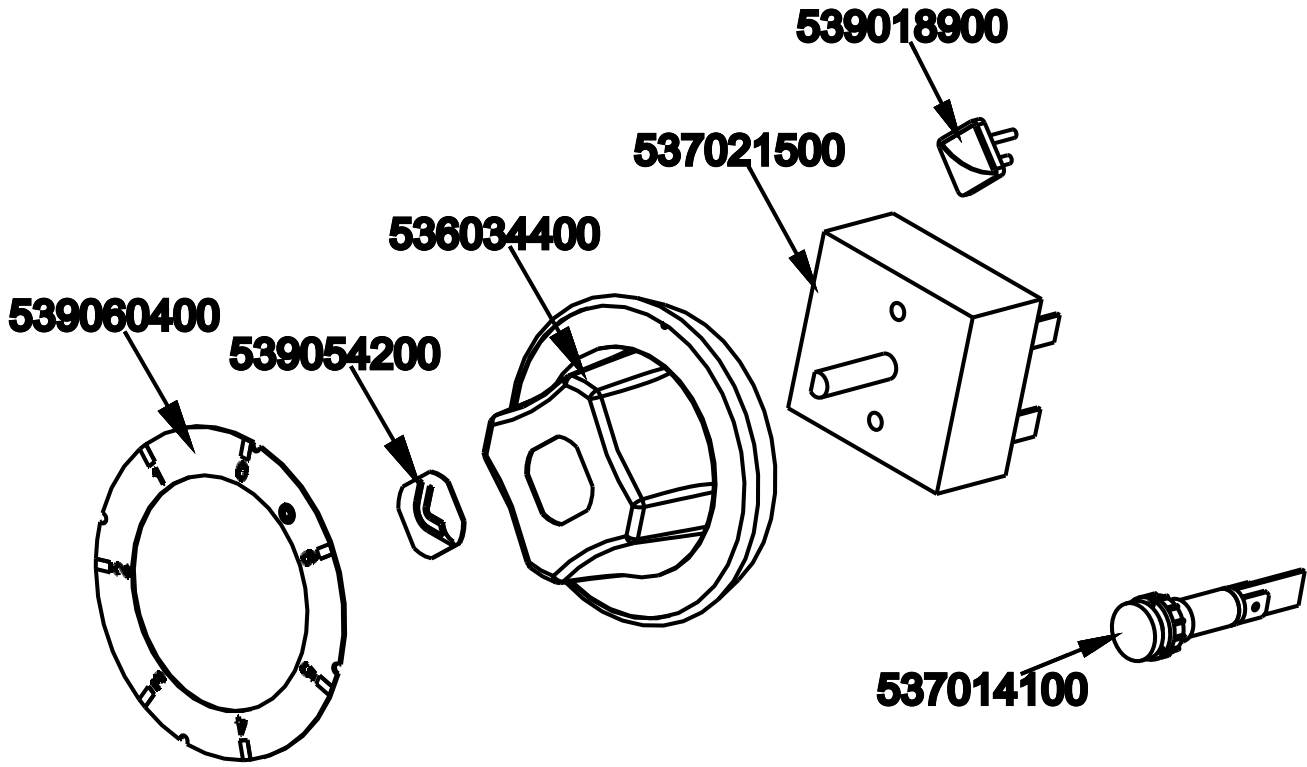
541271300 (64)
541271600 (68)

537013601

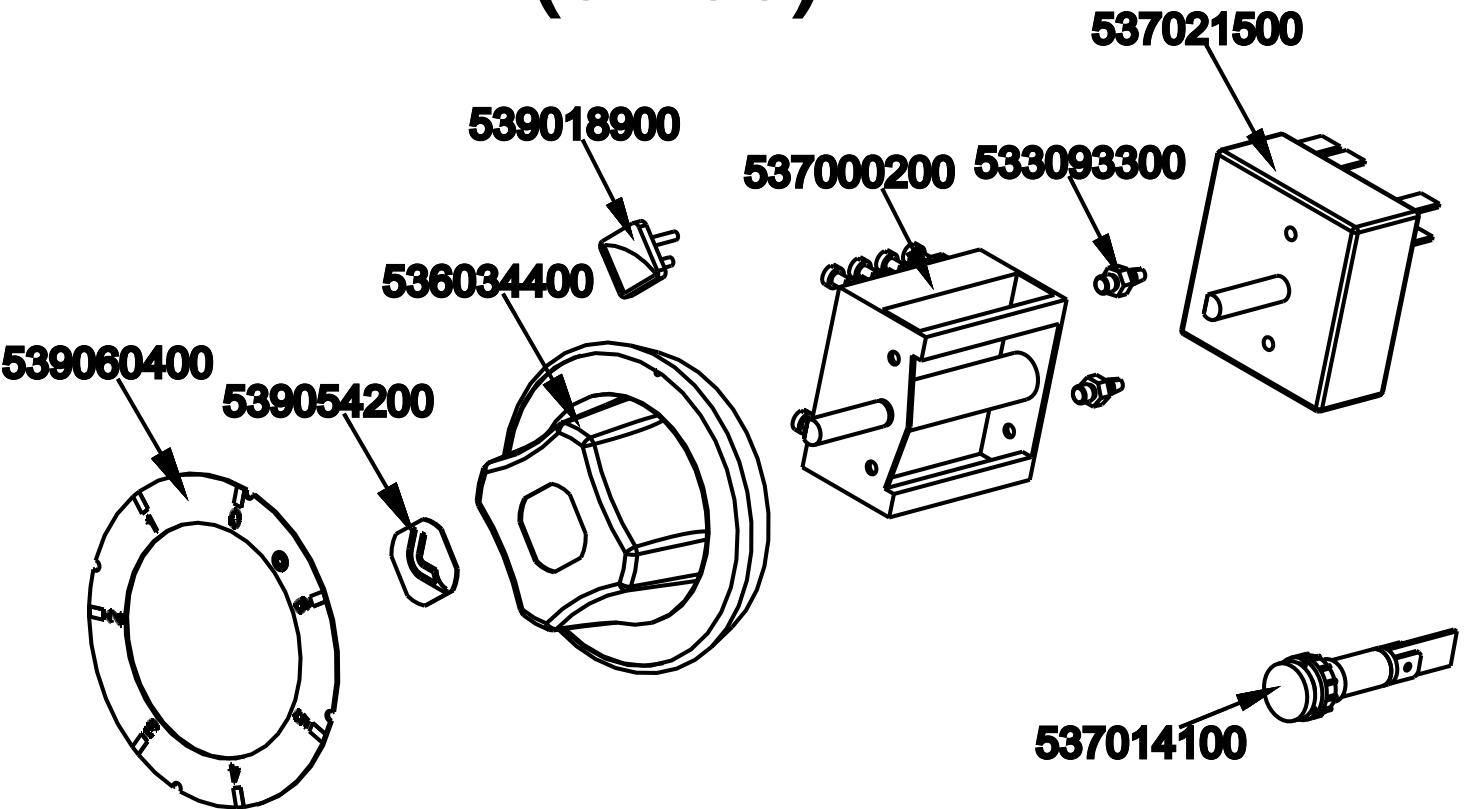


560086800M01P00

(64 68)



(84 88)



560108900M00P00

Page	Pos	Code	Description
001		541271300	UPPER PLATE DROP IN PCD-64ET
001		537013601	REMAINING HEAT WARN.LIGHT W/CABLES
001		537027400	TERMINAL BLOCK THREEPHASE 40A
001		537019400	RADIATION HEATER Ø250 230V
002		539018900	INDEX FOR KNOB W/RED SIGN
002		537021500	REGULATOR FOR EL.PLATE 2CIRC.230V
002		536034400	KNOB §77 4P. §06*4,6 C/M
002		539060400	RED ADESIVE DISK FOR PCC-E
002		539054200	STAMP Ø20,5 CR."L" LOTUS R.
002		537014100	WHITE WARNING LIGHT 250V
002		533093300	LOCKING PIN SWITCH S.43 THERMOST
002		537000200	COMMUTATOR 1 POS. 3PHASE S.49 16A