

cookmax+



start!

Kühlung Büfett-Kühlvitrine ohne Entnahmeklappen, mit Untergestell

Artikel-Nr.

90651100 (9BESS3FIV0A90 / SOUL SERVICE STAND PLATINUM 3 ohne
Entnahmeklappen)

Explosionszeichnung / Ersatzteile

Bitte bei Ersatzteilbestellung immer Artikelnummer und Seriennummer
mit angeben!

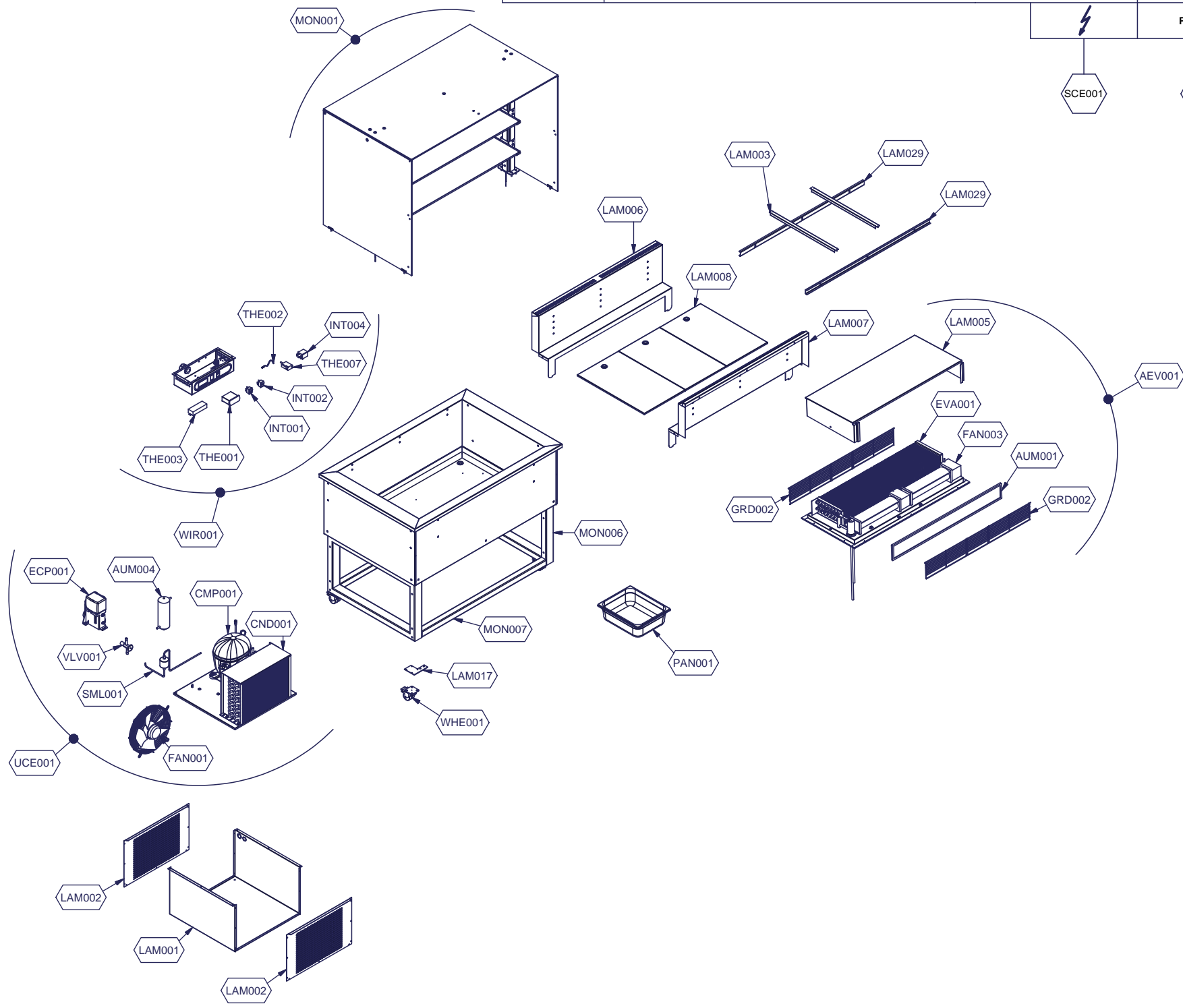
Cod. ESP366

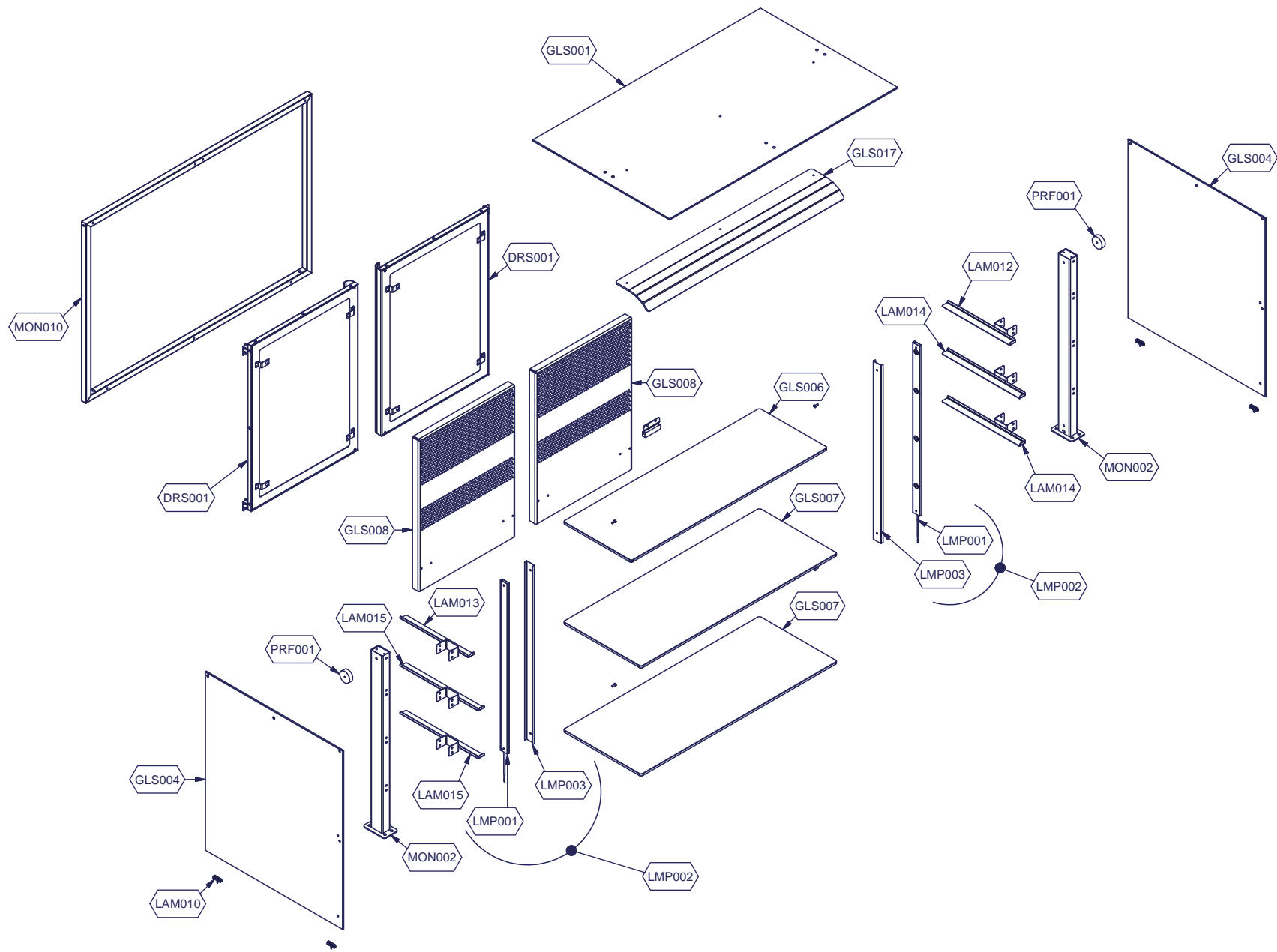
Denominazione: SERVICE-STAND PLATINUM 3 INCORPORATO

Data: 24/04/13

INDICE DI MODIFICA: 01

	PARAM.	OPTIONAL
SCE001	TAR001	OPT





Exploded View

Validity: 08/04/2016

9BESS3FIV0A90	ESSENCE PLATINUM 3I VASCA REF.VENT.VETRI
ESP366-01	SERVICE-STAND PLATINUM 3 INCORPORATO

Ref. Drawing	Code	Description
AEV001	73688952	ASS.EVAP.VETRINA RINF.DROP-IN 3/1
AUM001	74837151	FILTRO ARIA EVAP.VENT RINF.DROP-IN 3/1
AUM004	74700708	SERBATOIO VERT.L.0,58(65/204VS00)
CMP001	74865634	COMPR.NT6226GK MBP CSCR 230V/50HZ R404A
CND001	74837117	CONDENS.400X108XH286 11TX5R3/8"PA3.2MM
DRS001	73668622	ASS.PORTA VETRO VETRINA+MAGNETE 3-1
ECP001	74867018	PARTI ELETTR.COMPR. NT6226GK
EVA001	74839122	EVAP.VENT.DROP-IN 3-4/1
FAN001	74845180	VENTIL.FMI WE5G25A23M451E+GRIGLIA
FAN003	74845038	VEN.EMMEVI TGA 60/3-300/40 055V 230V 51W
GLS001	74776782	CR.DRITTO SUP.P.S.VETRINA DROP-IN 3/1
GLS004	74776292	CR.DRITTO FIANCO P.S.VETRINA DROP-IN
GLS006	74776642	CR.MENSOLA PIANO SUP. VETR. DROP-IN 3-1
GLS007	74776632	CR.MENSOLA PIANO MED. VETR. DROP-IN 3-1
GLS008	74776662	CONVOGLIATORE ARIA VETRINA DROP-IN 3/1
GLS017	74776533	DEFLET.CR.DRITTO SUP.VETRINA 3-1+FLAPS
GRD002	74847181	GRIGLIA EVAP.VENT.RINF.DROP-IN 3/1
INT001	74742008	INT.NERO ON-OFF 16A SH JS-608FA-O-B-6
INT002	74742017	INTERR.ARANC.LAMP 16A B418C1H1X0000 MOLV
INT004	75956088	RELE FINDER 30A 65-31 230V 50-60HZ
LAM001	72539780	LAM.SUPP.UCE BA VENT.RINF.3/1 DROP-IN
LAM002	72539782	GRIGLIA AEREAZ.BA VENT.RINF.3/1 DROP-IN
LAM003	72556044	LAM.SUPP.VASCH.GRBF 151 530*20
LAM005	72539391	LAM.COP.EVAP.RINF.DROP-IN 3/1
LAM006	72538682	CONVOGLI.ARIA POST.VET.RINF.DROP-IN 3/1
LAM007	72538672	CONVOGLI.ARIA ANT.VET.RINF.DROP-IN 3/1
LAM008	74707262	VASSOIO VASCA VENTILATA DROP-IN

Ref. Drawing	Code	Description
LAM010	72557114	LAM.SUP.VETRO FRONT.\LATER. VRX TT
LAM012	72538730	ASS.STAF.RIP.VET.SUP.DX VETRINA DROP-IN
LAM013	72538732	ASS.STAF.RIP.VET.SUP.SX VETRINA DROP-IN
LAM014	72538734	ASS.STAF.RIP.VET.INF.DX VETRINA DROP-IN
LAM015	72538736	ASS.STAF.RIP.VET.INF.SX VETRINA DROP-IN
LAM017	72539674	LAM.UNIONE GAMBA+TRAVERSO DROP-IN
LAM029	72539482	LAM.SUPPORTO VASCHETTE 3/1 DROP-IN
LMP001	72539020	LAMPADA A LED VETRINA DROP-IN
LMP002	72539028	ASS.LAMP.LED VETRINA DROP-IN+PROTEZIONE
LMP003	72539026	PROTEZIONE LAMPADA A LED VETRINA DROP-IN
MON001	73668782	ASS.SOVR.VETRI DRITTI VETRINA 3/1
MON002	72538990	MONTANTE SOVRASTRUTTURA VETRINA DROP-IN
MON006	72539682	TELAIO GAMBA VENT.DROP-IN
MON007	72539692	TRAVERSO TELAIIO GAMBA 3/1 DROP-IN
MON010	72538952	TELAIO PORTA VETRINA DROP-IN 3-1
PAN001	74707120	VASCH.GN 265*325*100 1/2 POLICARBONATO
PRF001	72538992	DISTANZIALE VETRINA DROP-IN
SCE001	SC850	SCHEMA ELETTRICO DROP-IN REFRIG.
SML001	73670192	ASS.FILTRO VENT.RINF.3/1 DROP-IN
TAR001	RIF.TAR.B08	PARAMETRI DROPIN & BUFFET PLATINUM
THE001	74700881	CENTR.PYAO1C0522-BZ 230V H/C
THE002	74700916	SONDA NTC IKE 3METRI -50/+105°
THE003	74700892	ALIMENTATORE LAMPADA LED MW LPHC18-350MA
THE007	74700954	REGOL.VELOCITA TECNEL TE7310.3/M
UCE001	74861592	UCE NT6226GK MBP CSCR R404A DROP-IN 3/1
VLV001	74877107	VALVOLA TLE-1.5 R404A MOP 0 HONEYWEL
WHE001	74708011	RUOTA GEMELLATA DIAM. 50MM POLIAMMIDE
WIR001	73669908	ASS.Q.E REF.VENT.DROP-IN