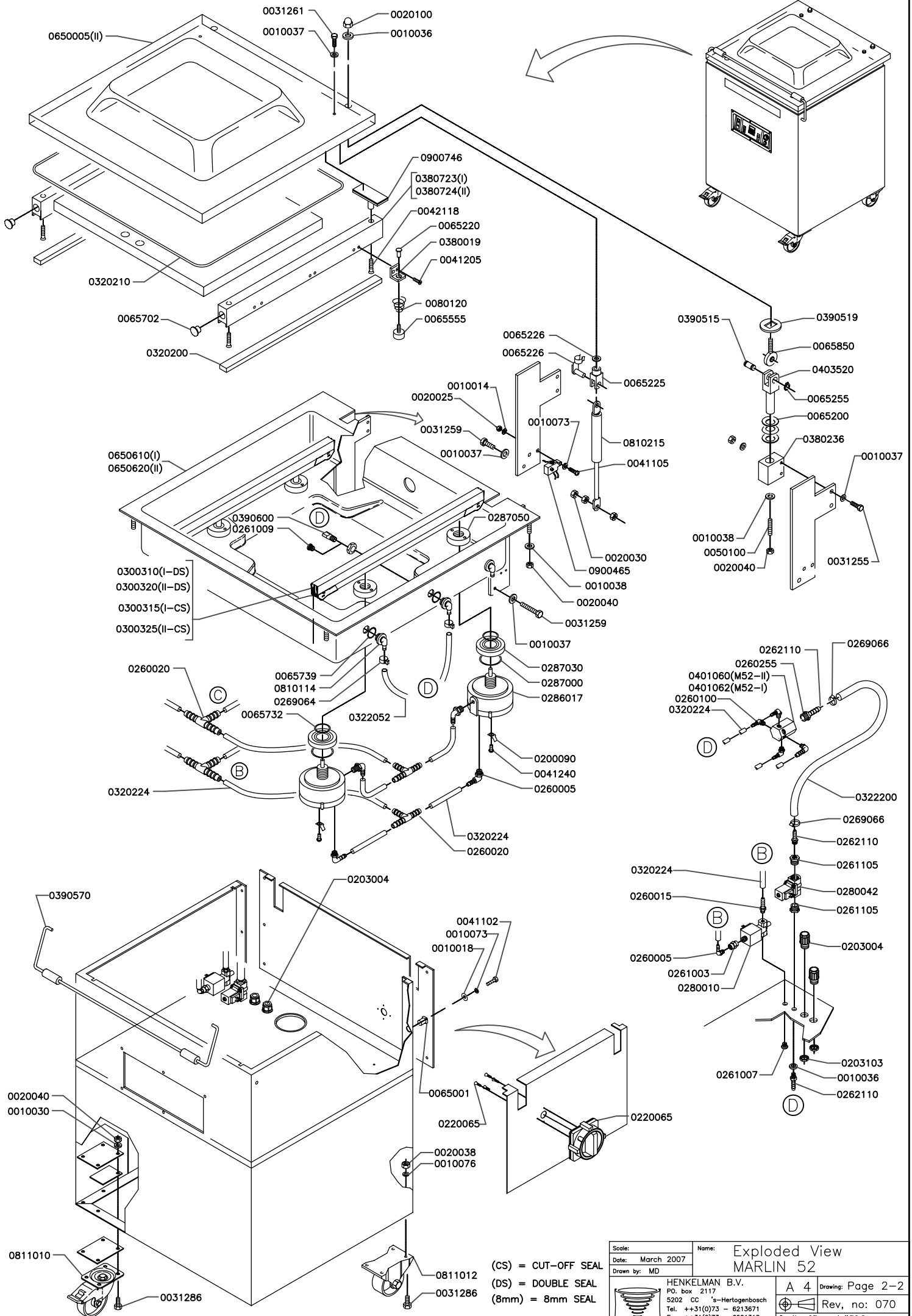


Scale:	Name: Exploded View MARLIN 52
Date: Jan 2009	
Drawn by: MD	
 HENKELMAN B.V. P.O. box 2117 5202 CC s-Hertogenbosch Tel. ++31(0)73 - 6213671 Fax ++31(0)73 - 6221318 The Netherlands	A 4 Drawing: Page 1-2
	Rev. no: 070
<small>Ownership explicitly reserved. Multiplication or information to third parties in any form is not permitted without written permission of the owner.</small>	



0650005(II)

0031261 0020100
0010037 0010036

0900746
0380723(I)
0380724(II)

0320210

0065702

0320200

0042118
0065220
0380019
0041205

0080120
0065555

0065226
0065226

0010014
0020025

0031259
0010037

0065225

0810215
0041105

0650610(I)
0650620(II)

0390600
0261009

0287050

0300310(I-DS)
0300320(II-DS)
0300315(I-CS)
0300325(II-CS)

0260020

0065739
0810114
0269064

0065732

0322052

0320224

0020030
0900465
0010038
0020040

0031259

0010037
0287030
0287000
0286017

0200090
0041240
0260005

0320224
0260020

0390515

0390519

0065850

0403520

0065255

0065200

0380236

0010037

0010038
0050100
0020040

0031255

0262110

0269066

0260255
0401060(M52-II)
0401062(M52-I)

0260100
0320224

0322200

0269066

0262110

0261105

0280042

0261105

0203004

0261007

0203103
0010036
0262110

0390570

0203004

0041102
0010073
0010018

0020040
0010030

0065001

0220065

0020038
0010076

0220065

0220065

0811010

0811012

0031286

0031286

(CS) = CUT-OFF SEAL
(DS) = DOUBLE SEAL
(8mm) = 8mm SEAL

Scale:	Name: Exploded View
Date: March 2007	MARLIN 52
Drawn by: MD	
HENKELMAN B.V. P.O. box 2117 5202 CC 's-Hertogenbosch Tel. ++31(0)73 - 6213671 Fax ++31(0)73 - 6221318 The Netherlands	
A 4	Drawing: Page 2-2
Rev. no: 070 <small>Generality equally reserved. Multiplication or information to third parties in any form is not permitted without written permission of the owner.</small>	