



## **Würfeleisbereiter kl. Würfel, Wasserk., 400 kg/24 h, ohne Speicher**

Artikel-Nr.  
711067 (VM900W)

---

### **Explosionszeichnung / Ersatzteile**

---

Bitte bei Ersatzteilbestellung immer Artikelnummer und  
Seriennummer mit angeben!



VM 900

# LIST OF THE EXPLODED VIEWS

From s/n. 297566 up Today



SHELL ASSY

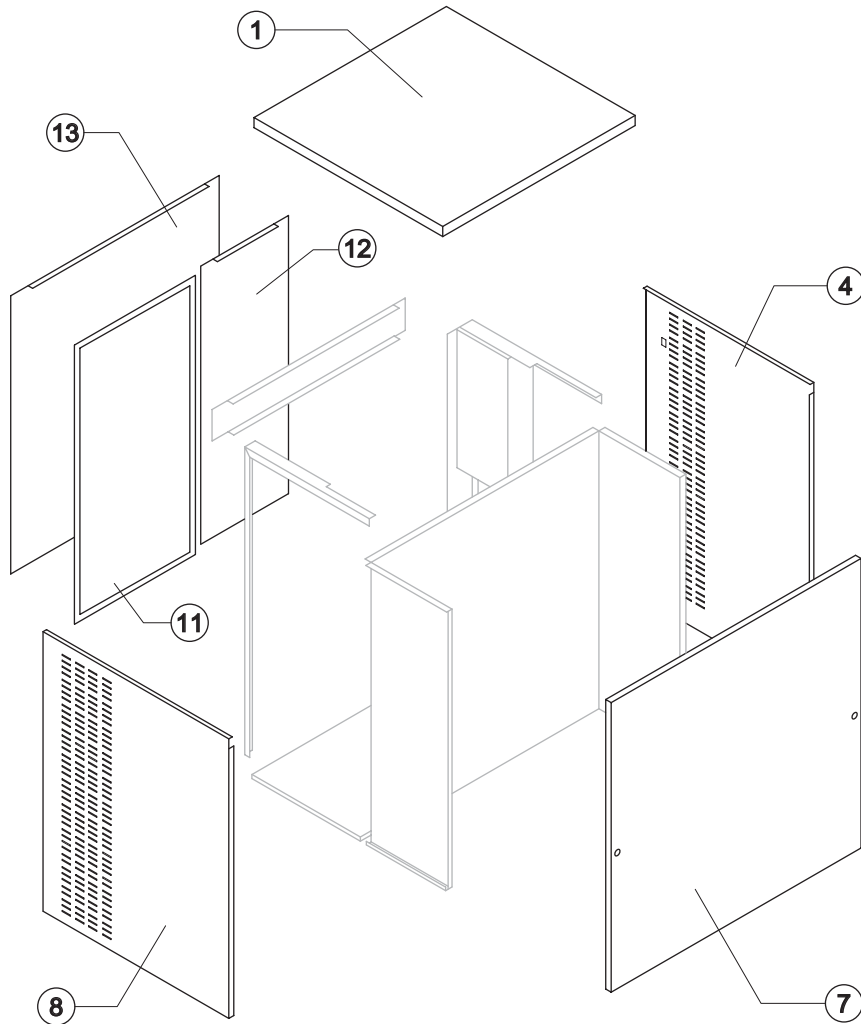
COOLING SYSTEM

HYDRAULIC CIRCUIT

SPRAYER PUMP

ELECTRIC PARTS

Rev. 13 - 29/05/2018



### Common Parts

Ref.	Spare Description	Code
1	Top Assembly	C22813
4	Right Side Panel	22408
7	Front Panel Assembly	C22816
8	Left Side Panel	22822
10	Rear Cross Bar	22817

### Parts for Air-Cooled Version Only

Ref.	Spare Description	Code
11*	Filter	18166
12	Rear Panel	21287

### Parts for Water-Cooled Version Only

Ref.	Spare Description	Code
13	Rear Panel	21285



# VM 900

From s/n. 297566 up Today

# COOLING SYSTEM

### Common Parts

Ref.	Spare Description	Code
2	Evaporator (Back)	D10227
3	Evaporatore (Front)	D10228
4	Horizontally Hinged Panel	22608
7	Compressor	See Table
10	Vacuum-Charge Valve Body	14007
11*	Vacuum-Charge Valve Device	14005
12*	Vacuum-Charge Valve Plug	14006
13*	Hot Gas Valve Coil	See Table
14*	Hot Gas Valve Body	20409
16*	Liquid Line Drier	14084
17	Suctin Line	for the spare parts code give us the s/n.

### Parts for Air-Cooled Version Only

Ref.	Spare Description	Code
8	Sucking Fan	20407
9	Air Condenser	20838
15	Fan Motor Grid	12056

### Parts for Water-Cooled Version Only

Ref.	Spare Description	Code
1	Water Condenser	Current Version 14660
1	Water Condenser	Till s/n. 515427 14285
6	Pressostatic Valve	20149

**!** Eliminated the Spring (horizontally hinged panel) ref. A, suggested removal even from the models where they are present.

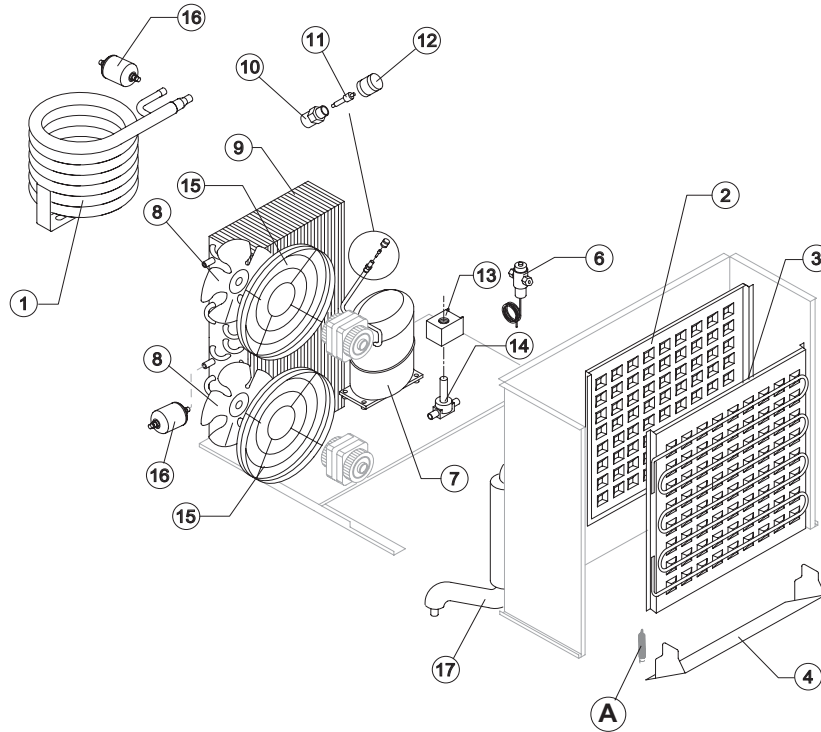
### Ref. 7 - Compressor

Voltage	Code Current Version	Code till s/n. 661502
T11	231079	23647
T12	231081	23651
T15	231085	23709
T16	231083	23708

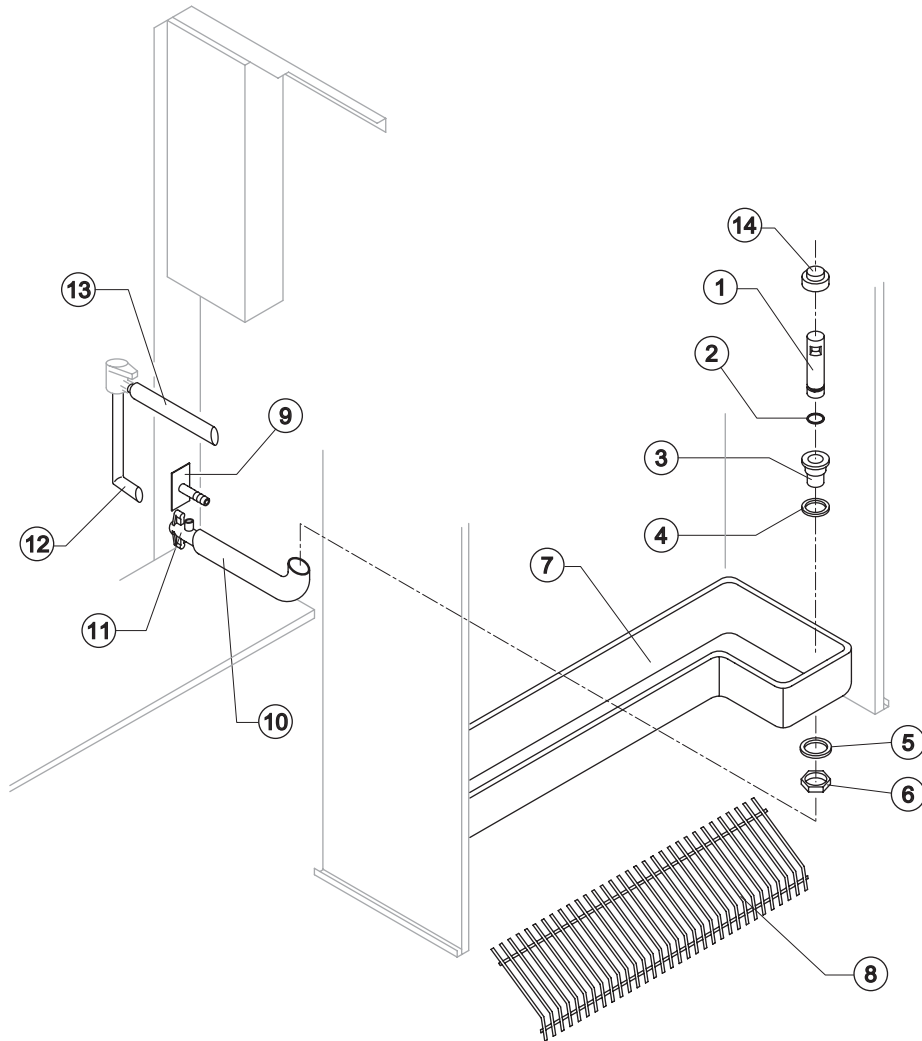
### Ref. 13\* - Hot Gas Valve Coil

Voltage	Code
T11	231294
T12	231294
T15	231294
T16	231294

Till s/n. 515427



Rev. 13 - 29/05/2018



### Common Parts

Ref.	Spare Description	Code
1*	Overflow Pipe	10399
2*	OR Gasket for Overflow Pipe	20233
3	Overflow Pipe Nipple	10471
4	Silicone Gasket	13006
5	Semirigid Polyethylene Gasket	13007
6	Bin Discharge Nut	10096
7	Water Basin	10395
8	Ice Cubes Slide	D12057
10	Overflow Pipe Nipple	13120
11	Drain Nipple	10431
12	Discharge Valve Connection Pipe - Discharge	13040
13	Discharge Valve Connection Pipe ("T"Shaped)	13102
14*	Overflow Cap	10305

### Parts for Water-Cooled Version Only

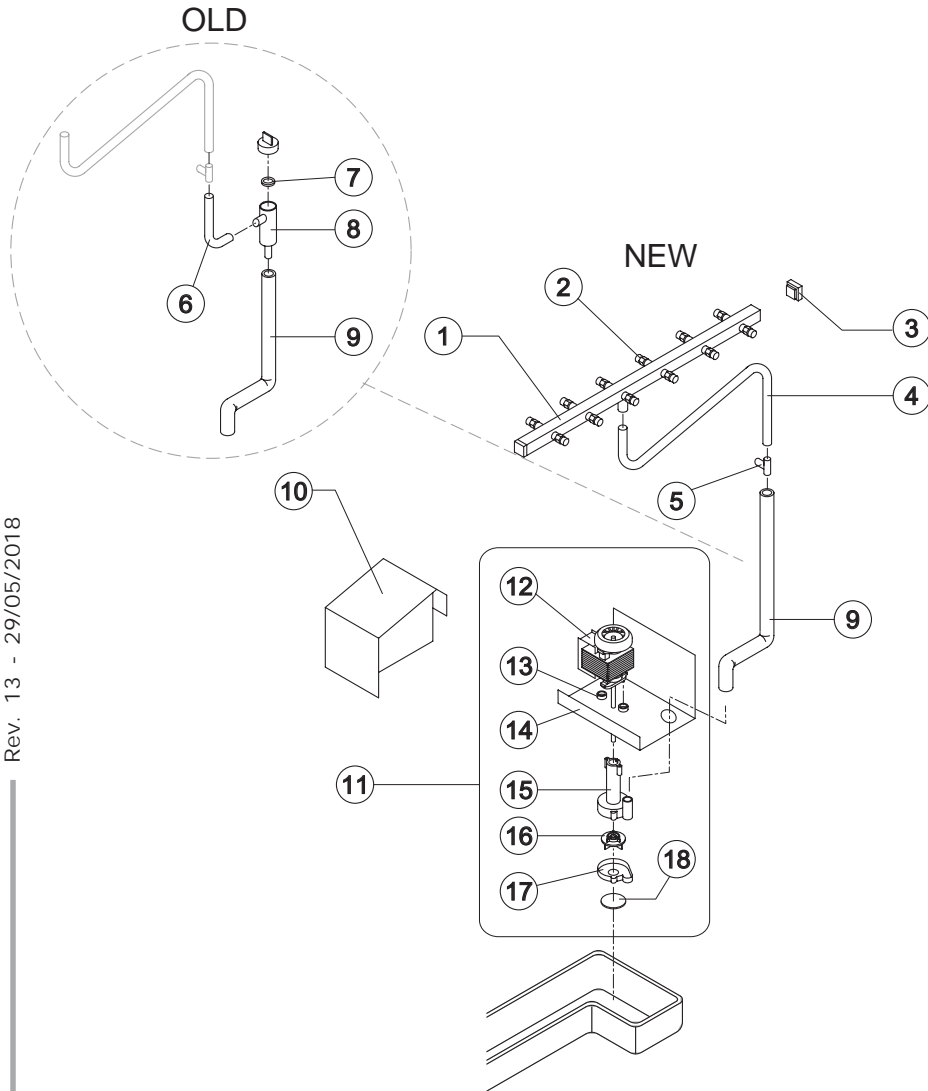
Ref.	Spare Description	Code
9	Conenction with Plate	C20462



# VM 900

From s/n. 297566 up Today

# SPRAYER PUMP



Ref.	Spare Description	Code
1*	Sprayers Bar Assembly	C20617
2	Sprayer	D20002
3	Sprayers Bar Plug	10012
4	Sprinkler Ba Connection Pipe ("T" Shaped)	13134
5	Plastic "T" ø 20	10082
6	Sprayers Feeding Pipe	OLD version 13005
7	Pump Filter Gasket	OLD version 13080
8	Pump Filter	OLD version 10139
9	"T" - Pump Connection Pipe	See Table
10	Protection Pump Panel	22804
11*	Pump Assembly	See Table
12	Pump	See Table
13	Pump Motor Shim	20510
14	Pump Motor Support	22799
15	Pump Body	10065
16	Pump Impeller	See Table
17	Diffusor	10067
18	Pump Filter	20518

### Ref. 9 - "T"-Pump Connection Pipe

Version	Code
NEW	13113
OLD	13157

### Ref. 11\* - Pump Assy

Voltage	Code
T11-T15	C23626
T12-T16	C23627

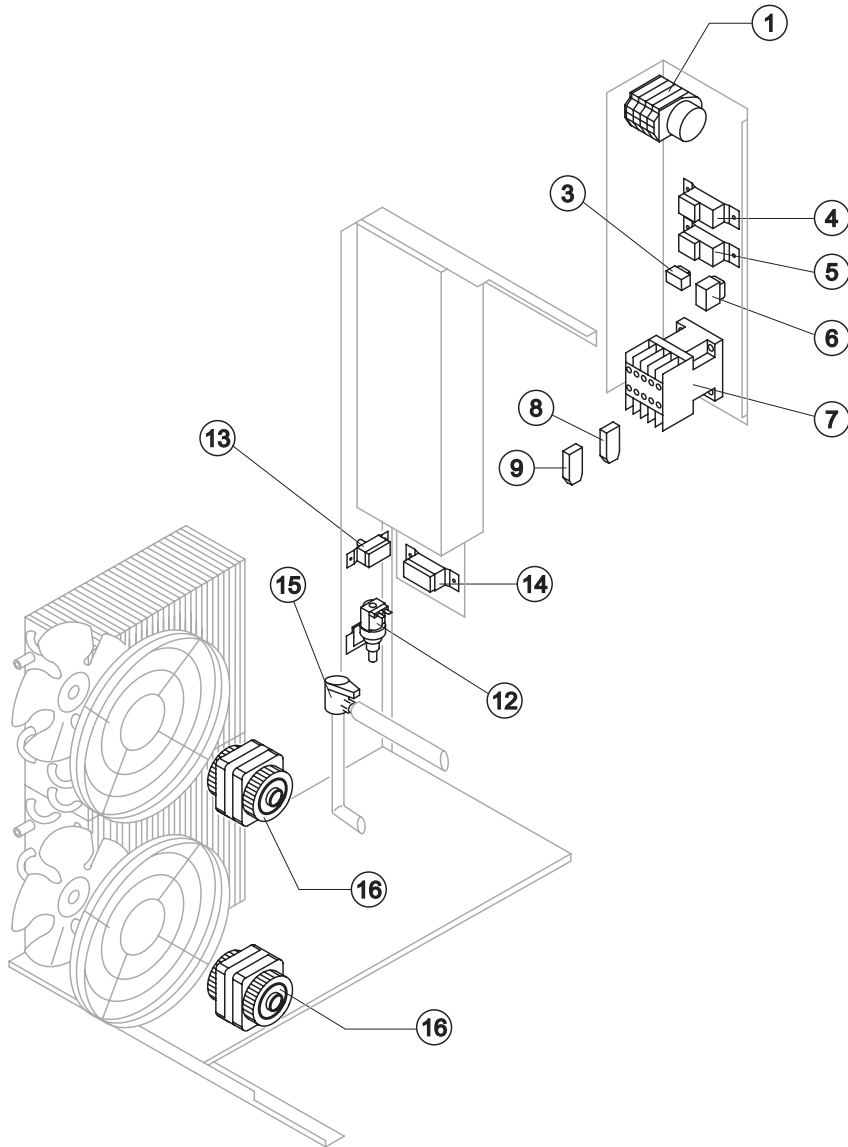
### Ref. 12 - Pump

Voltage	Code
T11-T15	23600
T12-T16	23601

### Ref. 16 - Pump Impeller

Voltage	Code
T11-T15	10066
T12-T16	10138

Rev. 13 - 29/05/2018



### Common Parts

Ref.	Spare Description	Code
1*	Timer	See Table
3	"Cleaning" Switch	23619
4*	Bin Thermostat	R23005
5*	Evaporator Thermostat	R23597
6*	Green Light Switch (On-Off)	23327
7*	Contactor	See Table
12*	1 Way- Water Inlet Valve	23623
13	Safety Pressure Switch	23342
15*	Water Outlet Valve	23537

### Parts for Air-Cooled Version Only

Ref.	Spare Description	Code
8	Anti Radio Interference Filter	Only T11 C23459
9	Anti Radio Interference Filter	Only T11 C23458
14*	Condenser Pressure Switch	23175
16*	Fan Motor	23121

### Ref. 1\* - Timer

Voltage	Code
T11-T15	23635
T12-T16	23632

### Ref. 7\* - Contactor

Voltage	Code
T11-T15	23147
T12-T16	23963