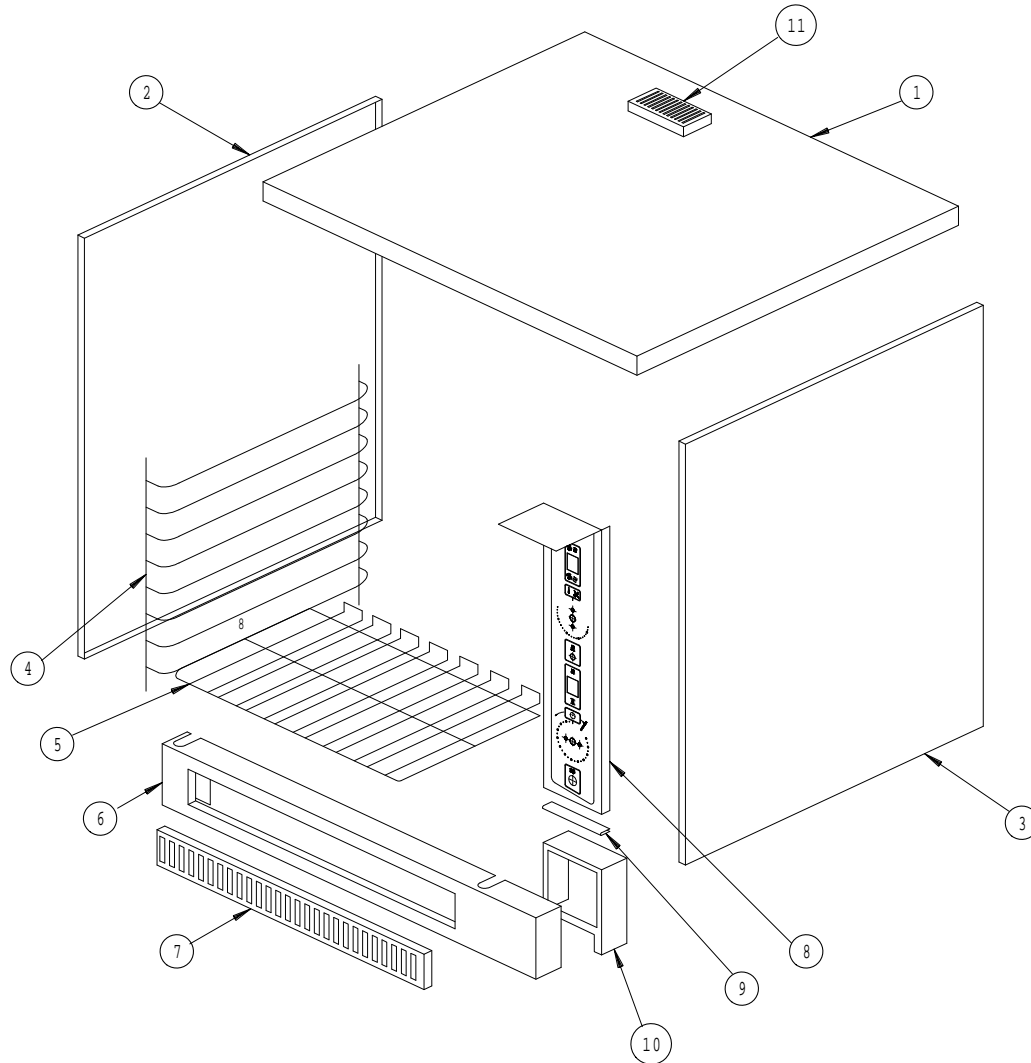
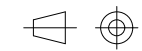


IF IN DOUBT ASK!!

DO NOT SCALE !!

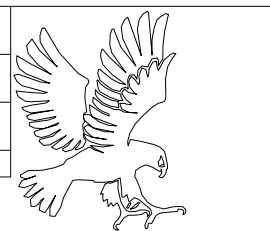
First Angle Projection



ITEM	DESCRIPTION	G7204 SPARES No.	G7208 SPARES No.	E7211 SPARES No.
1	OUTER TOP PANEL	532920010	532930010	532930010
2	OUTER SIDE PANEL L.H.	532920011	532930011	532940011
3	OUTER SIDE PANEL R.H.	532920012	532930012	532940012
4	SHELF HANGER	531930270	531920270	-----
5	GRID SHELF	531930260	531920260	-----
6	FRONT COVER PANEL	532920014	532930013	532940012
7	FRONT COVER LOUVRE	531930090	531920095	531920095
8	CONTROL PANEL	532920013	532930014	532940013
9	CONTROL PANEL HINGE	732920041	732920041	732920041
10	CONTROL PANEL TRIM	732920042	732920043	732920044
11	FLUE CAPPER	531930020	531930020	531930020

All Dimensions in millimetres, Tolerance- Linear $\pm 0.5\text{mm}$ Angular $\pm 0.5^\circ$ (or as stated)

Issue	Mod No.	Alteration	Zone	Drawn by	Date



This part is common to the following units

© No reproduction or publication of this drawing may be made and no article may be manufactured or assembled in accordance with this drawing without prior written consent. This prohibition is a term of any contract relating to this drawing. Rights reserved under the Copyright Act 1956 as amended by the Design Copyright Act 1968.

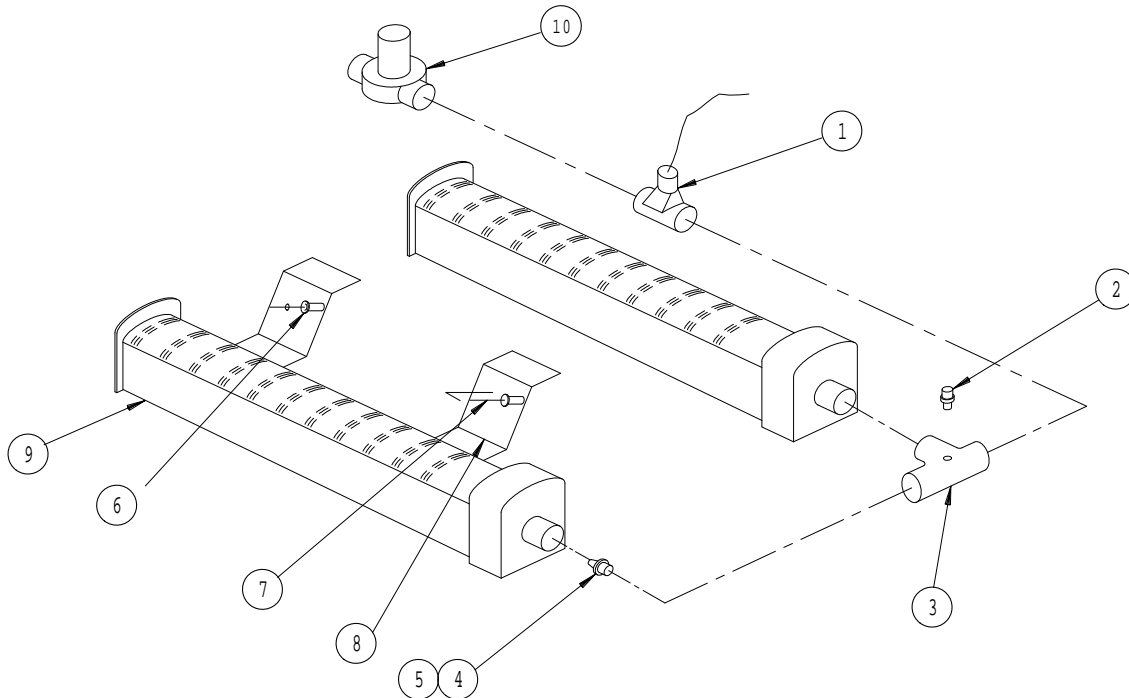
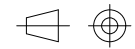
Drawn	Product	G7200 CONVECTION OVEN	
Date	Title	SPARES - BODY FITMENTS	
Scale			
Matl.	Drawing Number		Issue
No. off			
Bin No.			

UNCONTROLLED

IF IN DOUBT ASK!!

DO NOT SCALE !!

First Angle Projection



ITEM	DESCRIPTION	G7204 SPARES No.	G7208 SPARES No.	E7211 SPARES No.
1	SOLENOID VALVE	531930530	531930530	531930530
2	PRESSURE TEST NIPPLE	531930540	531930540	531930540
3	TEE PIECE	531930550	531930550	531930550
4	INJECTOR - NAT GAS	531930560	531920560	531940130
5	INJECTOR - PROP GAS	531930566	531920566	531940150
6	FLAME SENSOR ELECTRODE	531930575	531930575	531930575
7	IGNITER	531930575	531930575	531930575
8	ELECTRODE BRACKET	531930585	531930585	531930585
9	BURNER	531920600	531920600	531920600
10	GOVERNOR	531923000	531923000	531943000

All Dimensions in millimetres, Tolerance- Linear $\pm 0.5\text{mm}$ Angular $\pm 0.5^\circ$ (or as stated)

Issue	Mod No.	Alteration	Zone	Drawn by	Date



This part is common to the following units

Drawn	Product	G7200 CONVECTION OVEN	
Date	Title	SPARES - PIPEWORK	
Scale			
Matl.	Drawing Number		
No. off	Issue		
Bin No.	Kraus No.		

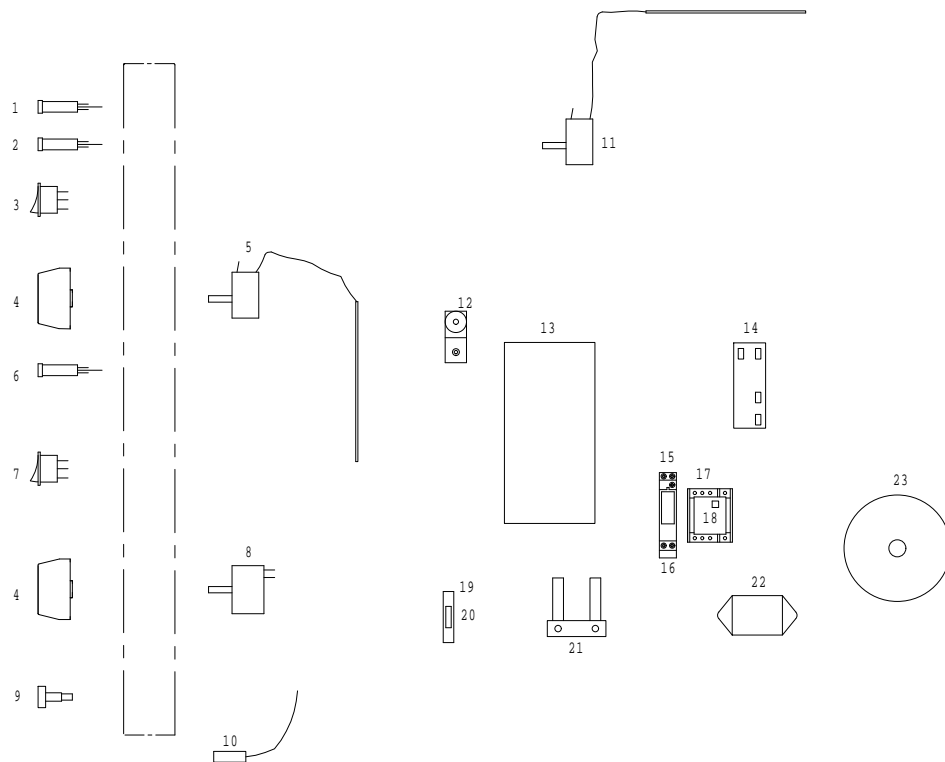
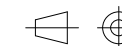
© No reproduction or publication of this drawing may be made and no article may be manufactured or assembled in accordance with this drawing without prior written consent. This prohibition is a term of any contract relating to this drawing. Rights reserved under the Copyright Act 1956 as amended by the Design Copyright Act 1968.

UNCONTROLLED

IF IN DOUBT ASK!!

DO NOT SCALE !!

First Angle Projection



ITEM	DESCRIPTION	G7204 SPARES No.	G7208 SPARES No.	G7211 SPARES No.
1	NEON INDICATOR (RED)	732920046	732920046	732920046
2	NEON INDICATOR (CLEAR)	532920088	532920088	532920088
3	COOL/HEAT SWITCH	732920047	732920047	732920047
4	CONTROL KNOB	732920048	732920048	732920048
5	OPERATING THERMOSTAT	732920049	732920049	732920049
6	NEON INDICATOR (AMBER)	732920050	732920050	732920050
7	COOK/HOLD SWITCH	732920051	732920051	732920051
8	TIMER	732920052	732920052	732920052
9	LIGHT SWITCH	732920053	732920053	-----
10	DOOR MICRO-SWITCH	531925260	531925260	531925260
11	HOLD THERMOSTAT	732920055	732920055	732920055
12	BUZZER	732920058	732920058	732920058
13	GAS CONTROL UNIT	531930500	531930500	531930500
14	IGNITER BOX	531930480	531930480	531930480
15	RELAY - BUZZER	732920060	732920060	732920060
16	RELAY BASE	732920061	732920061	732920061
17	RELAY - PROVING	732920062	732920062	732920062
18	RELAY BASE	732920063	732920063	732920063
19	FUSE HOLDER	732920067	732920067	732920067
20	FUSE	532920017	532920017	532920017
21	TERMINAL BLOCK	731920100	731920100	731920100
22	MAINS FILTER	732920084	732920084	732920084
23	PRESSURE SWITCH	531930295	531930295	531930295

All Dimensions in millimetres, Tolerance- Linear ±0.5mm Angular ±0.5° (or as stated)

Issue	Mod No.	Alteration	Zone	Drawn by	Date



This part is common to the following units

Drawn	Product G7200 CONVECTION OVEN	
Date	Title SPARES - CONTROLS	
Scale		
Matl.	Drawing Number	Issue
No. off		
Bin No.		

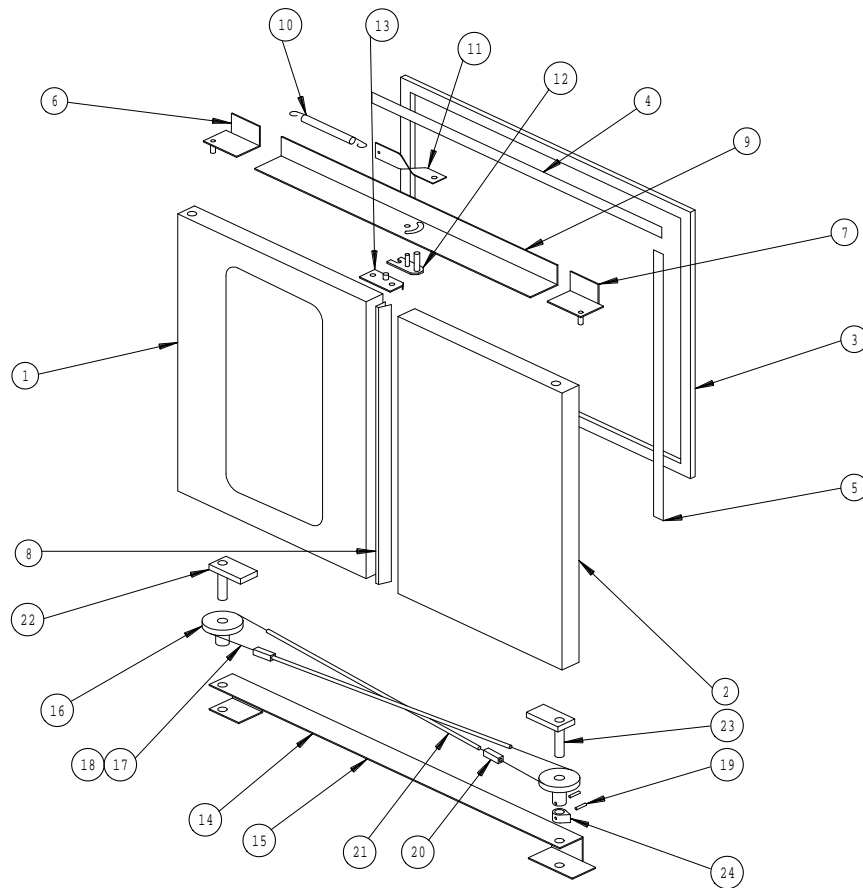
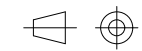
UNCONTROLLED

© No reproduction or publication of this drawing may be made and no article may be manufactured or assembled in accordance with this drawing without prior written consent. This prohibition is a term of any contract relating to this drawing. Rights reserved under the Copyright Act 1956 as amended by the Design Copyright Act 1968.

IF IN DOUBT ASK!!

DO NOT SCALE !!

First Angle Projection



ITEM	DESCRIPTION	G7204 SPARES No.	G7208 SPARES No.	G7211 SPARES No.
1	DOOR ASSY L.H.	732920070	732920072	732920074
2	DOOR ASSY R.H.	732920071	732920073	732920075
3	DOOR SEAL	531930525	531920525	531940090
4	SEALING STRIP - HORIZONTAL	531930630	531940091	531940091
5	SEALING STRIP - VERTICAL	531930620	732920078	531940092
6	TOP DOOR HINGE L.H.	732920000	732920002	732920002
7	TOP DOOR HINGE R.H.	732920001	732920003	732920003
8	DOOR LATCHING STRIP	731930070	531920570	531940160
9	TOP DOOR ANGLE c/w MECHANISM	732920004	732920005	732920005
10	SPRING	531920750	531920750	531920750
11	TOGGLE LINK	531920612	531920612	531920612
12	TOGGLE PLATE ASSY	531920611	531920611	531920611
13	CATCH KEEPER	531920640	531920640	531920640
14	BOTTOM DOOR ANGLE	732920076	732920077	732920077
15	BOTTOM DOOR ANGLE c/w MECHANISM	531930245	531940175	531940175
16	SPROCKET	732920079	531920130	531940200
17	CHAIN	732920080	531920700	531920700
18	CONNECTING LINK	531920740	531920740	531920740
19	ROLL PIN	732920081	531920111	531920111
20	TURNBUCKLE	531930690	531920720	531920720
21	LINKAGE ROD	531930640	531920510	531920510
22	BOTTOM DOOR HINGE - L.H.	531930130	531920360	531920360
23	BOTTOM DOOR HINGE - R.H.	531930140	531920370	531920370
24	DOOR MICRO SWITCH CAM	531920620	531920620	531920620

All Dimensions in millimetres, Tolerance- Linear ±0.5mm Angular ±0.5° (or as stated)

Issue	Mod No.	Alteration	Zone	Drawn by	Date



This part is common to the following units

© No reproduction or publication of this drawing may be made and no article may be manufactured or assembled in accordance with this drawing without prior written consent. This prohibition is a term of any contract relating to this drawing. Rights reserved under the Copyright Act 1956 as amended by the Design Copyright Act 1968.

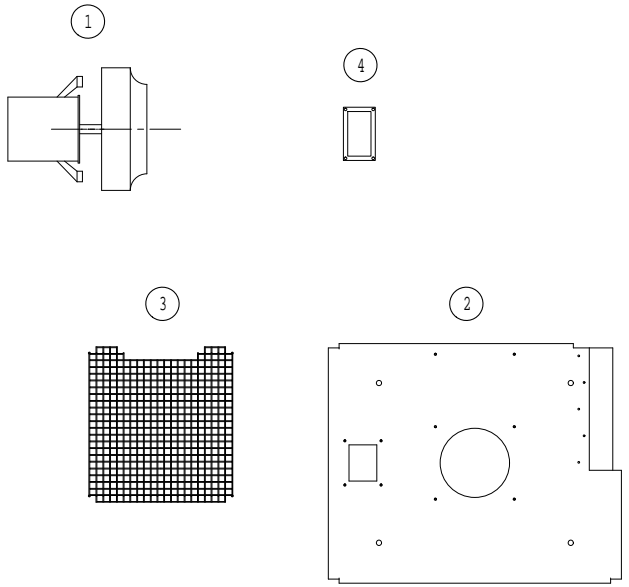
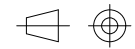
Drawn	Product	G7200 CONVECTION OVEN	
Date	Title	SPARES - DOOR	
Scale			
Matl.	Drawing Number		Issue
No. off			
Bin No.			

UNCONTROLLED

IF IN DOUBT ASK!!

DO NOT SCALE !!

First Angle Projection



ITEM	DESCRIPTION	SPARES No.	G7204	G7208	G7211
1	FAN MOTOR C/W CAPACITOR	531930290		531925180	531925180
2	BACK BAFFLE	531930280		531923070	531940181
3	FAN GUARD	-----		531920528	531940110
4	OVEN LAMP	732920015		732920015	-----

All Dimensions in millimetres, Tolerance- Linear $\pm 0.5\text{mm}$ Angular $\pm 0.5^\circ$ (or as stated)

Issue	Mod No.	Alteration	Zone	Drawn by	Date



This part is common to the following units

© No reproduction or publication of this drawing may be made and no article may be manufactured or assembled in accordance with this drawing without prior written consent. This prohibition is a term of any contract relating to this drawing. Rights reserved under the Copyright Act 1956 as amended by the Design Copyright Act 1968.

Drawn	Product	G7200 CONVECTION OVEN	
Date	Title	SPARES - OVEN FITMENTS	
Scale	Matl.	Drawing Number	Issue
No. off	Finish	UNCONTROLLED	
Bin No.	Kraus No.		