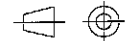


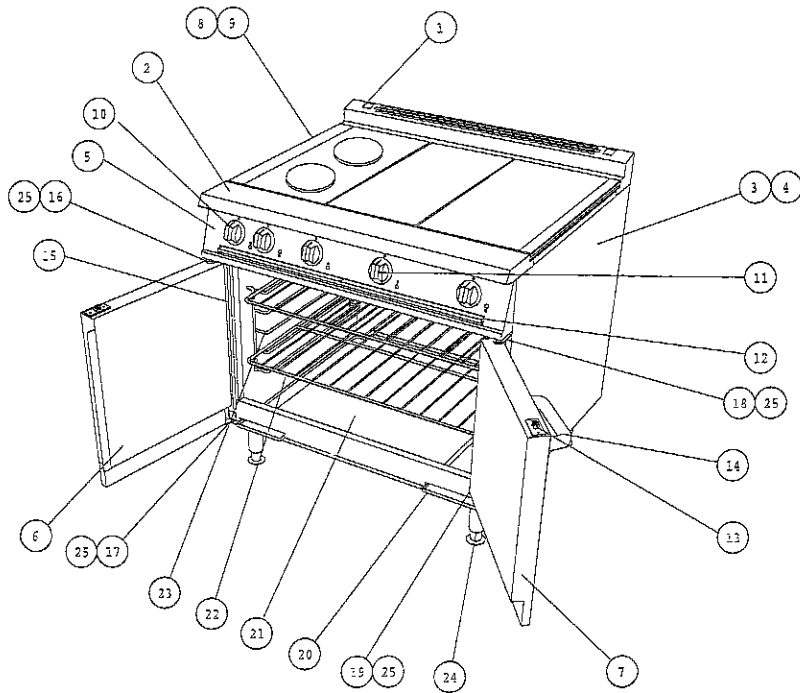
IF IN DOUBT ASK!!

DO NOT SCALE !!
First Angle Projection



E2101EU FITMENTS

Part No	Spares No	Description
1	535480046	Rear Hob Rail
2	535480047	Front Hob Rail
3	535200000	Outer Side Panel - LH
4	535200001	Outer Side Panel - RH
5	734200000	Control Panel 3 HP
	734200001	Control Panel 4 HP
6	535200003	L/H Door Assy
7	535200004	R/H Door Assy
8	730960090	Hob Filling
9	730963121	Side Drip Shed
10	731000002	Control Knob (hob)
11	731000003	Control Knob (Oven)
12	535480053	Hob Drip Tray
13	535480054	Door Catch
14	535480055	Door Handle
15	535200005	Door Seal
16	535200006	Top Door Hinge -LH
17	535200007	Bottom Door Hinge -LH
18	535200008	Top Door Hinge -RH
19	535200009	Bottom Door Hinge -RH
20	535200010	Oven Drip Tray
21	734200002	Oven Bottom Plate
22	730963180	Oven Shelf
23	535200012	Oven Shelf Hanger
24	730963050	Adjustable Leg
25	535480077	Door Hinge Bush
26	535200013	Door Catch Keeper (Not Shown)



All dimensions in millimetres. Tolerance- Linear $\pm 0.5\text{mm}$ Angular $\pm 0.5^\circ$ (or as stated). All sharp edges to be removed from sheet metal parts.

						Drawn I. HAMILTON Date 08-02-07 Scale N.T.S.		Product E2101EU RANGE Title SPARES DIAGRAM - FITMENTS	
A 1004 ISSUED FOR PRODUCTION I. HAMILTON 08-02-07						Mat. _____		Drawing Number AA45391	
Issue Mod No. Alteration Zone Drawn by Date						No. off _____		Finish _____	
Bin No. _____						Kraus No. _____		Issue A	

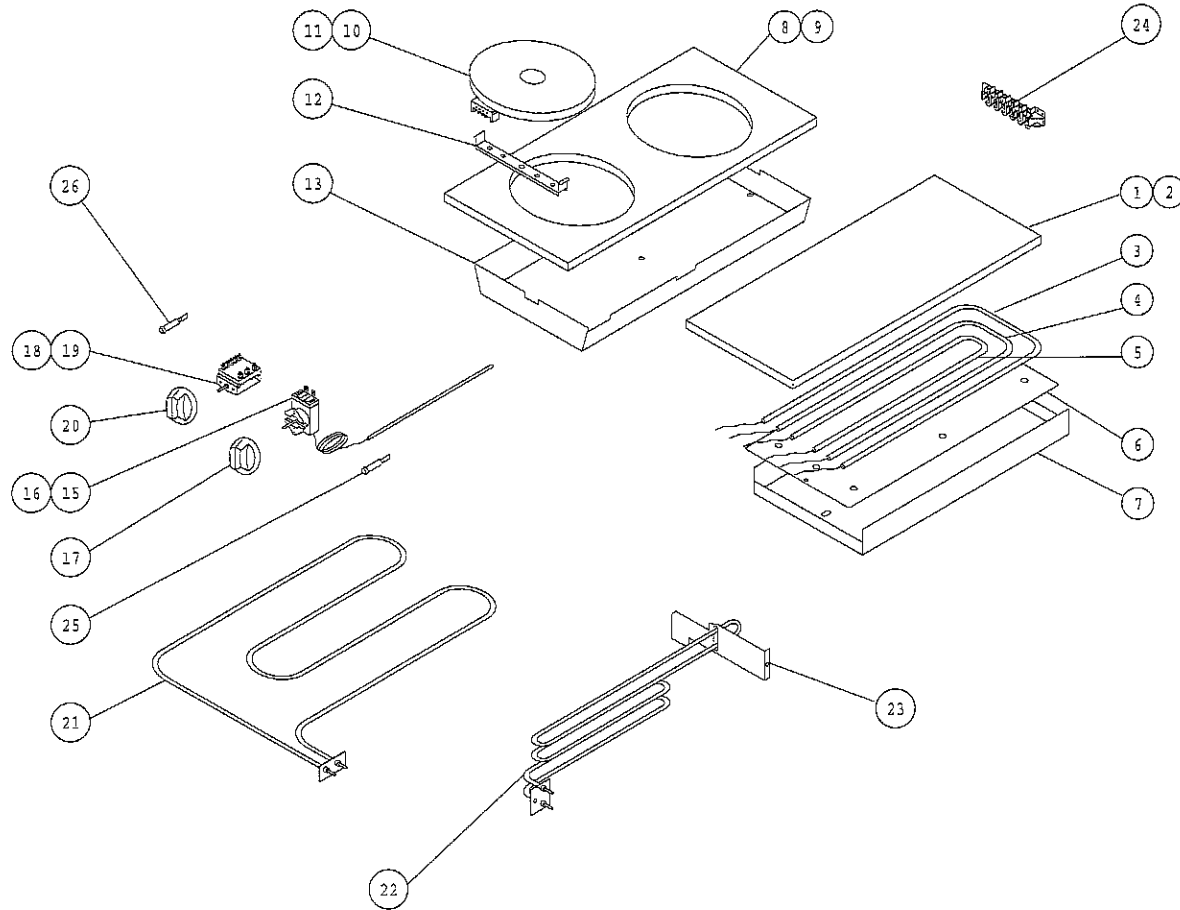
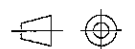


This part is common to the following units

No reproduction or publication of this drawing may be made and no article may be manufactured or assembled in accordance with this drawing without prior written consent. This prohibition is a term of any contract relating to this drawing. Rights reserved under the Copyright Act 1956 as amended by the Design Copyright Act 1988.

IF IN DOUBT ASK!!

DO NOT SCALE !!
First Angle Projection



E2101EU CONTROLS

Item	Spares No.	Description
1	730960010	Rectangular Hotplate Assembly
2	730960100	Rectangular Hotplate Casting
3	730960040	Element Outer
4	730960030	Element Intermediate
5	730960020	Element Inner
6	730960150	Element Clamp Plate
7	730964060	Hotplate Lagging Box
8	730960114	Round Hotplate Assembly
9	730960101	Round Hotplate Casting
10	730960110	Hotplate Assembly
11	730960050	Hotplate
12	730960115	Fixing Bracket
13	730964160	Cover Plate
14	730960116	Seal for Round Hotplate (not shown)
15	730962080	Oven Thermostat
16	731000004	Oven Thermostat c/w Knob
17	731000003	Oven Thermostat Knob Only
18	730960070	6 Position Switch
19	731000005	6 Position Switch c/w Knob
20	731000002	6 Position Switch Knob Only
21	730962050	Oven Top Element
22	730962060	Oven Bottom Element
23	734200003	Element Support Bracket
24	731000006	Terminal Block Incoming
25	731000007	Neon Amber
26	731000008	Neon Red

Note:-
Items 8 to 13 are used on 4 HP models only

All dimensions in millimetres, Tolerance- Linear $\pm 0.5\text{mm}$ Angular $\pm 0.5^\circ$ (or as stated). All sharp edges to be removed from sheet metal parts.

A		1004	ISSUED FOR PRODUCTION	I. HAMILTON		35-03-04
Issue	Mod No.	Alteration		Zone	Drawn by	Date



This part is common to the following units

No reproduction or publication of this drawing may be made and no article may be manufactured or assembled in accordance with this drawing without prior written consent. This prohibition is a term of any contract relating to this drawing. Rights reserved under the Copyright Act 1956 as amended by the Design Copyright Act 1988.

G		Product		E2101EU RANGE	
Date		08-02-07		Title	
Scale		SPARES DIAGRAM - CONTROLS			
Matl.		Drawing Number		Issue	
No. off		Finish		AA45392	
Bin No.		Kraus No.		A	