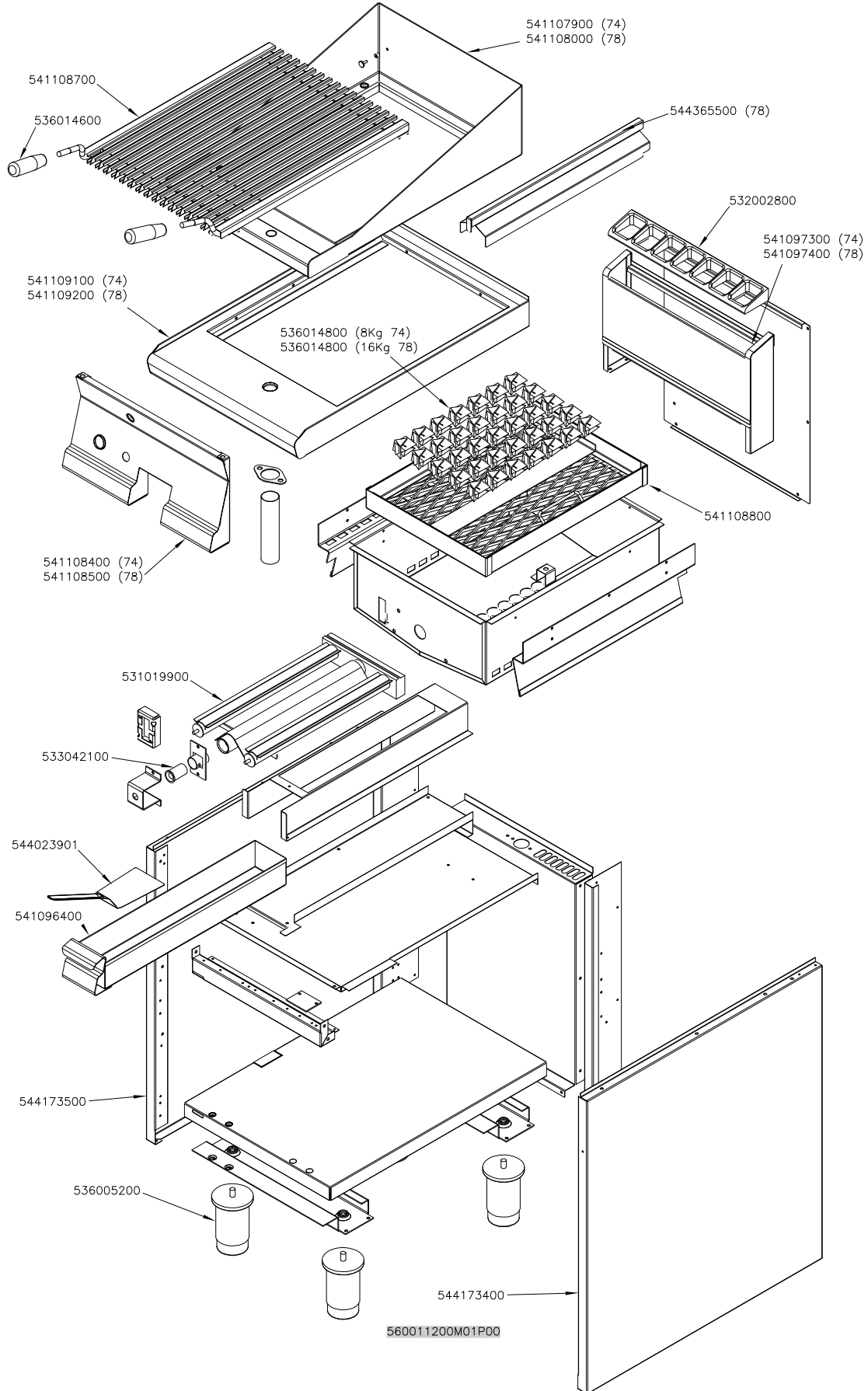


# SUPERLOTUS 70≤0601

GAS / GAS / GAS / GAZ

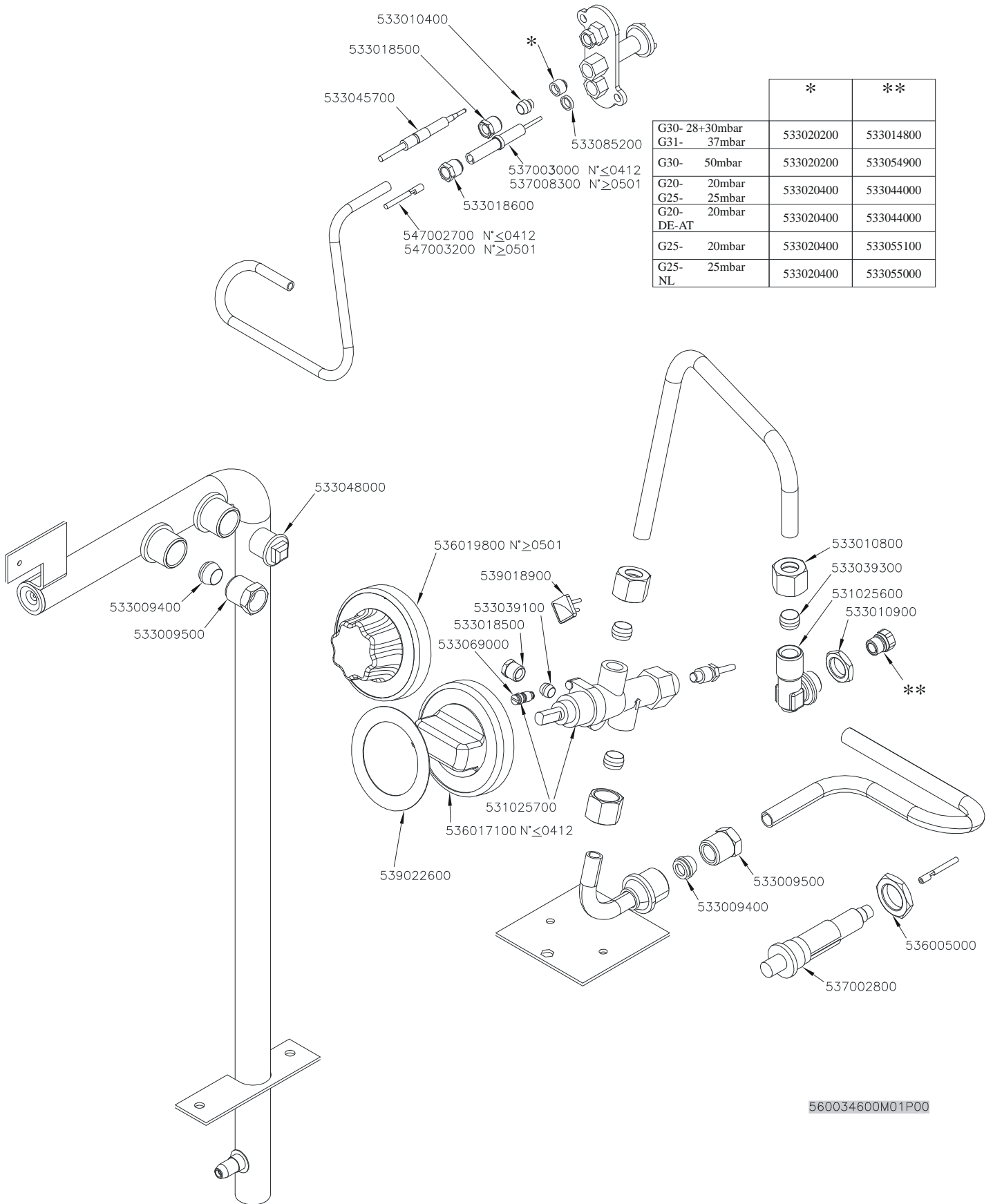
## CW-74G CW-78G



# SUPERLOTUS 70≤0601

GAS / GAS / GAS / GAZ

## CW-74G CW-78G



	*	**
G30- 28+30mbar G31- 37mbar	533020200	533014800
G30- 50mbar	533020200	533054900
G20- 20mbar G25- 25mbar	533020400	533044000
G20- 20mbar DE-AT	533020400	533044000
G25- 20mbar	533020400	533055100
G25- 25mbar NL	533020400	533055000

560034600M01P00

Page	Pos	Code	Description
001		541107900	SPLASH GUARD CW-74
001		541108700	GRID CW-G S.70
001		536014600	GRIP D.28*90*M10 CW
001		532002800	GRID FOR PIPE L=370 S.70
001		541097300	SPACER 74G
001		541109100	UPPER PLATE CW-74G/E
001		536014800	LAVASTONE
001		541108800	STONE SUPPORTING FRAME CW-74G
001		541108400	CONTROL PANEL CW-74G
001		531019900	BURNER CW-G 60-65-70 LINES
001		533042100	AIR ADJUSTMENT BUSHING CW-G
001		544023901	SPATTLE FOR FRY-TOP
001		541096400	DRIP TRAY FT S.70
001		544173500	LEFT SIDE PANEL S.70
001		536005200	INOX LEG 2" 120-180 M10
001		544173400	RIGHT SIDE PANEL S.70
002		533010400	BICONE D.6
002		533018500	FITTING FOR BICONE D.6 M10*1
002		533045700	THERMOCOUPLE M9*1 500
002		533085200	
002		537003000	PLUG M4 - LONG ELECTRODE
002		537008300	ROUND PLUG §2,4- LONG ELECTRODE
002		533018600	PLUG FITTING
002		547002700	HIGH-VOLTAGE CABLE L=500
002		547003200	HIGH-VOLTAGE CABLE TUBE.§2 L=500
002		533048000	THREADED CAP 3/8"G
002		533009400	BICONE 10S
002		533009500	NIPPLE FOR BICONE 10S
002		536019800	BLACK KNOB §70 PIN §8*6,5
002		539018900	INDEX FOR KNOB
002		533039100	BICONE §6
002		533069000	BY PASS COCK §70 20S-21S
002		531025700	SAFETY TAP 21S-B PEL21S22070
002		536017100	BLACK KNOB §70 PIN §8*6,5
002		539022600	GRADUATED STICKER FOR KNOB
002		533010800	TUBE NUT D.10 M16*1,5
002		533039300	BICONE §10
002		531025600	ELBOW 90° NOZZLE-HOLDER §10 PIPE
002		533010900	NUT M14*1 H.4
002		536005000	NUT M18 FOR PIEZOELECTRIC IGNITION
002		537002800	PIEZOELECTRIC IGNITION M18
002		533020200	PILOT JETS 0160 FOR LPG §30
002		533014800	NOZZLE §135 CH12*14,0
002		533054900	NOZZLE §120 CH12*14
002		533020400	NOZZLE 0160 (NATURAL GAS) 51
002		533044000	NOZZLE §195 CH12*14 M-CW4
002		533055100	NOZZLE §215 CH12*14 L-CW4
002		533055000	NOZZLE §205 CH12*14 G25 CW4