

3.5 kW	3.5 kW
3.5 kW	3.5 kW

CC81CG
CCG81CE

3.5 kW	3.5 kW	3.5 kW
3.5 kW	3.5 kW	3.5 kW

CC120CG
CCG120CE

A = GPL / LP gas / Gaz liquide / Flüssiggas (2H)
B = Gas metano / Natural gas / Gaz naturel / Erdgas (3+)



N.B.: La tavola si completa con la successiva n° - See table No. - Voir tableau n° - Wichtig: S. folgender Plan Nr.
N.B.: Validità dalla matricola 0627005545
N.B.: Validity from serial number 0627005545
N.B.: Validité du numéro matricule 0627005545
N.B.: Gültigkeit ab der Seriennummer 0627005545

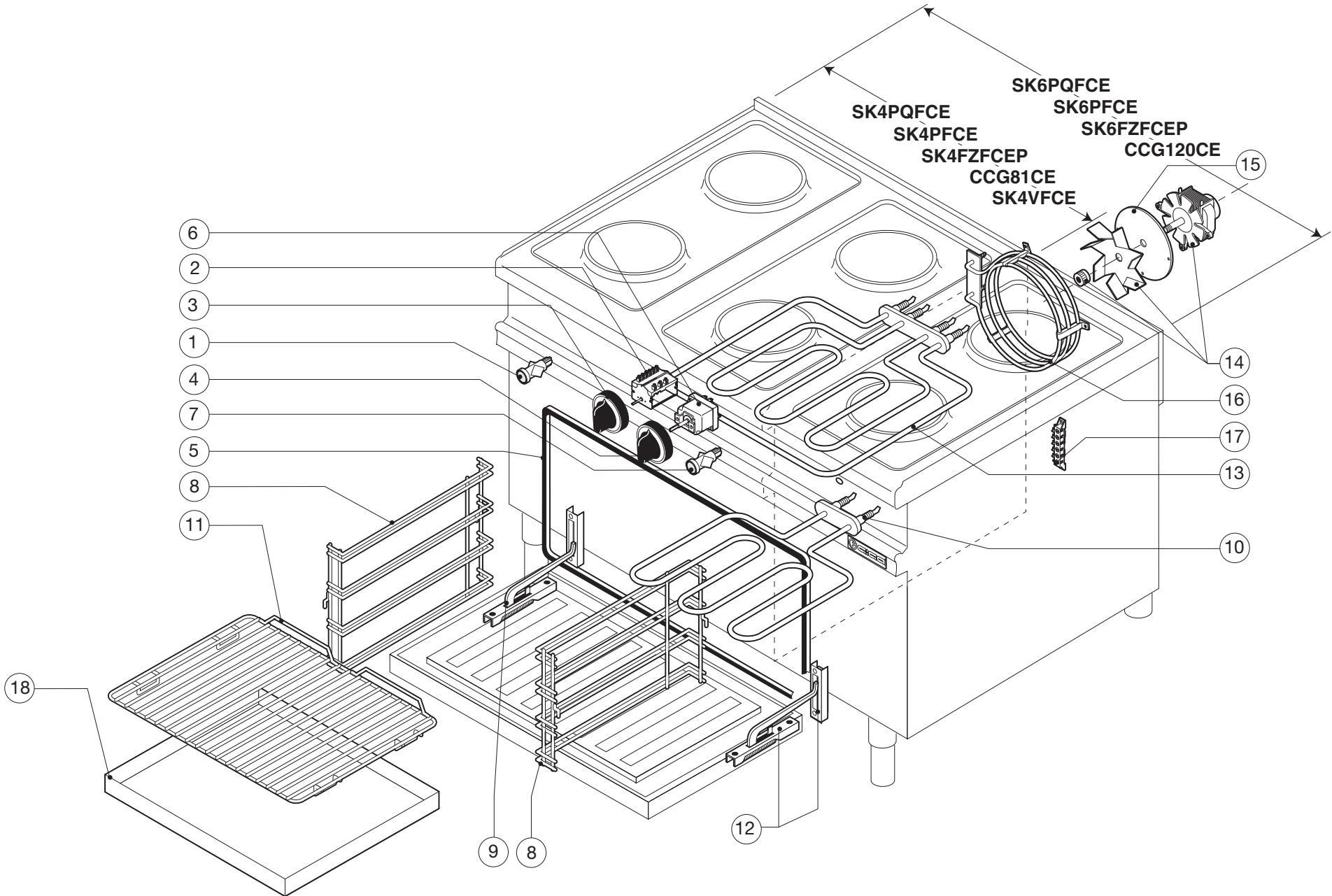
3E07-007
CCG81CE - CCG120CE

3E07-006
CC81CG - CC120CG

3E07-030

CC81CG - CCG81CE
CC120CG - CCG120CE

Pezzi/Pieces Pieces/Anzahl		Pos.	Validità dalla matricola	Validità alla matricola	Codice Code Artikel Nummer	Descrizione	Description	Description	Beschreibung
CC81CG CCG120CE	CC120CG CCG120CE		Validity from serial number	Validity up to serial number					
4	6	1			AGB004ZR10	Spartifiamma U.R.	R. flame spreader	Diffuseur de flamme R.	Flammenverteiler R.
4	6	2			AGB003ZR10	Corona U.R.	R. flame spreader support	Support diffuseur de flamme R.	Flammenverteiler-Halterung R.
4	6	3		81201683	AGB012ZR10	Corpo bruciatore U.R.	R. injector cup support	Godet support injecteur R.	Gasdüse-Halterung Brennerschale R.
2	3	4			1550Y63000	Griglia	Grid	Grille	Rost
4	6	5A			DGI095N09E	Iniettore GPL fuoco U.R.	R. ring LPG injector	Injecteur GPL feu R.	Gasdüse GPL kochst. R.
4	6	5B			DGI145R09E	Iniettore metano fuoco U.R.	R. ring natural gas injector	Injecteur methane feu R.	Gasdüse methan kochst. R.
4	6	6			AGC005ZR10	Rubinetto fuoco	Gas ring cock	Robinet feu	Gashan kochstelle
4	6	7			0000Y65001	Manopola per fuoco	Gas ring knob	Cle de commande pour feu	Drehknopf für kochstelle
4	6	8			M02100	Piezo elettrico	Piezo-electric ignition	Piezo électrique	Piezoelektrischer Zünder
4	6	9		81201683	AGB009ZR10	Termocoppia	Thermocouple	Thermocouple	Thermoelement
4	6	10		81201683	AGB011ZR10	Candeletta	Ignition plug	Bougle	Glühkerze
4	4	11			X61000	Piedino	Foot	Pied	Fuss
4	6	12			AGC003ZR10	Staffa fissaggio rubinetto	Tap fixing bracket	Support fixation du robinet	Hahnbefestigungsbügel
4	6	3	81201684		AGB020ZR10	Tazza supporto iniettore R.	R. injector cup support	Godet support injecteur R.	Gasdüse-Halterung Brennerschale R.
4	6	9	81201684		AGB017ZR10	Termocoppia	Thermocouple	Thermocouple	Thermoelement
4	6	10	81201684		AGB019ZR10	Candeletta	Ignition plug	Bougle	Glühkerze



N.B.: La tavola si completa con la successiva n° - See table No. - Voir tableau n° - Wichtig: S. folgender Plan Nr.

• 3E07-009
SK4VFCE

• 3E07-030
CCG81CE
CCG120CE

• 3E07-005
SK4FZFCEP
SK6FZFCEP

• 3E07-003
SK4PFCE
SK6PFCE

• 3E07-004
SK4PQFCE
SK6PQFCE

3E07-007

CCG81CE - CCG120CE
SK4FZFCEP - SK6FZFCEP
SK4PFCE - SK6PFCE
SK4PQFCE - SK6PQFCE
SK4VFCE



Pezzi/Pieces Pieces/Anzahl		Validità dalla matricola Validity from serial number Validité du numéro matricule Gültigkeit ab der (Seriennummer)	Validità alla matricola Validity up to serial number Validité au numéro matricule Gültigkeit bis zur (Seriennummer)	Codice Code Artikel Nummer	Descrizione	Description	Description	Beschreibung
CCG81CE - CCG120CE SK4FZFCEP - SK6FZFCEP SK4PFCE - SK6PFCE SK4PQFCE - SK6PQFCE SK4VFCE	Pos.							
1	1			X50900	Lampada verde	Green light	Lampe vert	Grüne Kontrolllampe
1	2			X68204	Commutatore	Selector switch	Commutateur	Schalter
1	3			0000Y65008	Manopola commutatore	Selector knob	Bouton commutateur	Umschaltknopf
1	4			0000Y65004	Manopola temperatura	Temperature knob	Cle de commande temper	Drehknopf temp.
1	5			1000X05600	Guarnizione porta	Door seal	Joint porte	Türdichtung
1	6			X68205	Termostato	Thermostat	Thermostat	Thermostat
1	7			X41200	Lampada gialla	Yellow light	Lampe jaune	Gelbe Kontrolllampe
2	8			V05900	Reggigriglia sx/dx	R.H./L.H. Grid support	Appui grille gauche/droite	Rostauflegeschiene L.R.
1	9			X66100	Cerniera sx	L.H. Hinge	Charniere gauche	Scharnier links
1	10			X68203	Resistenza inferiore	Bottom resistance	Résistance inferieure	Unterer Resistenz
1	11			G11PF	Griglia	Grid	Grille	Rost
1	12			X66000	Cerniera dx	R.H. Hinge	Charniere droite	Scharnier rechts
1	13			X68202	Resistenza superiore	Top resistance	Résistance superieure	Oberer Resistenz
1	14			V03000	Motoventilatore	Electric fan	Moto-ventilateur	Motorventilator
1	15			V05400	Isolamento	Insulation	Isolation	Isolierung
1	16			X68002	Resistenza	Resistance	Résistance	Resistenz
1	17			X59200	Morsettiera	Terminal board	Barrette de raccordement	Klemmleiste
1	18			V05700	Suola forno	Oven floor	Sole four	Boden Ofen