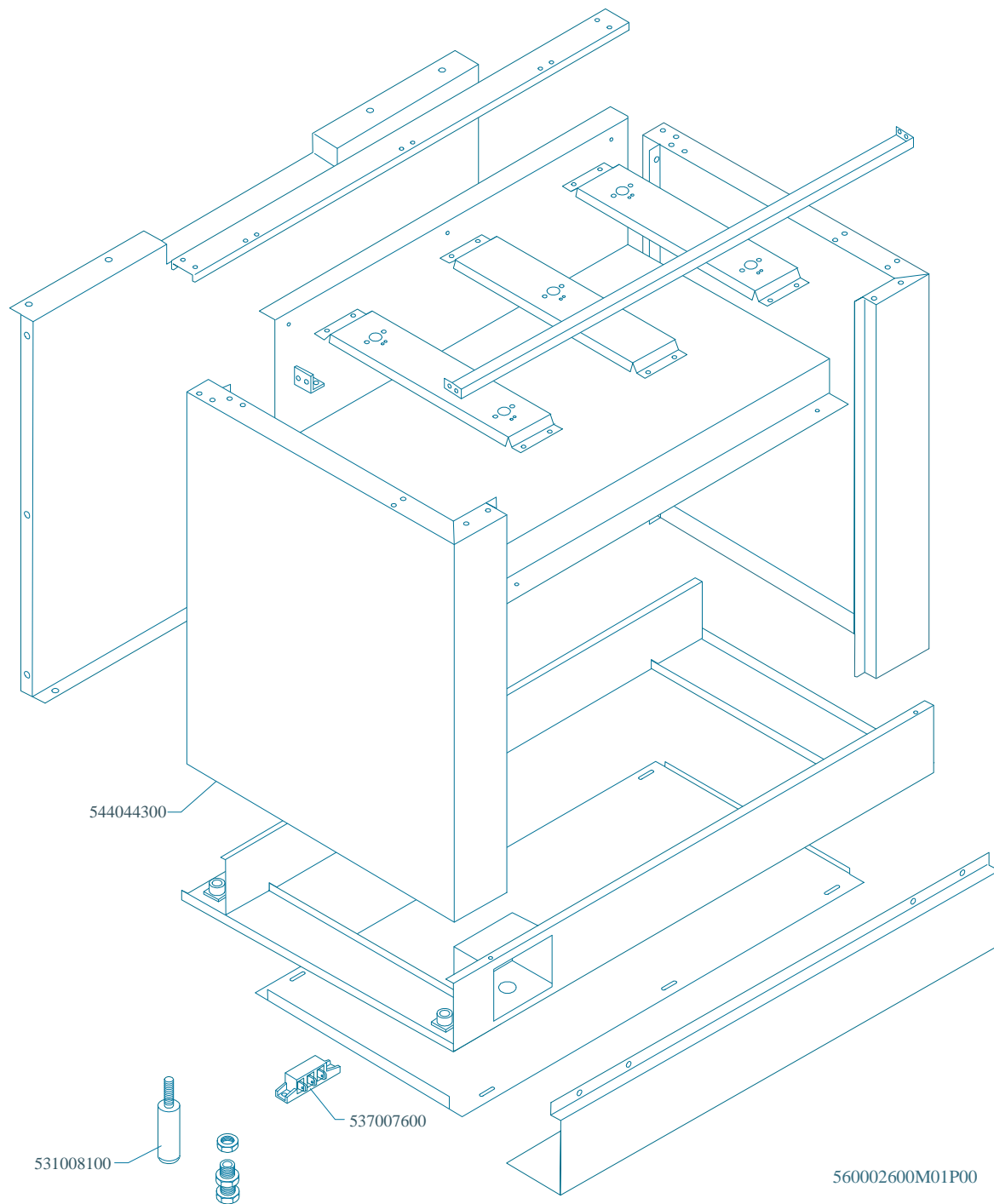


MAGIC SNACK 60

CUCINE / RANGES / HERDE / CUISINIÈRES / N° 0309

CF-10

CF-10GF CF-10G/A CF-10GEM CF-10GEM/A CFM-10GEM CFM-10GEM/A



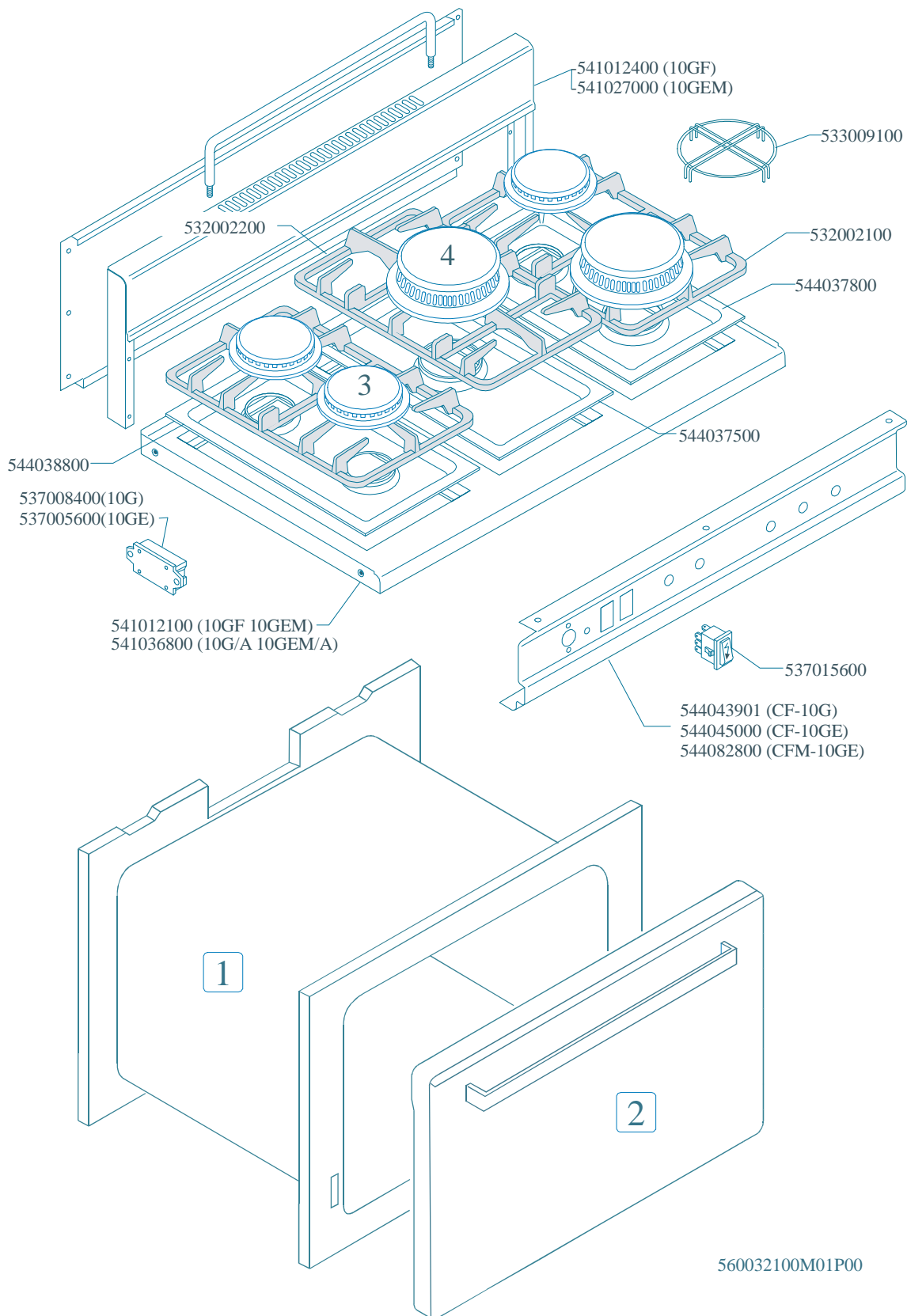
MAGIC SNACK 60

CUCINE / RANGES / HERDE / CUISINIÈRES / N° 0309

CF-10

CF-10GF CF-10G/A CF-10GEM CF-10GEM/A CFM-10GEM CFM-10GEM/A

| | 1CF10-GE | 1CFM-10GE | 1CF-10G | 2 | 3 | 4 |
|---|----------|-----------|---------|----|-----|-----|
| Vedi Pagina See Page Siehe Seite Voir Page Ver Página | 92 | 93 | 94 | 95 | 131 | 132 |

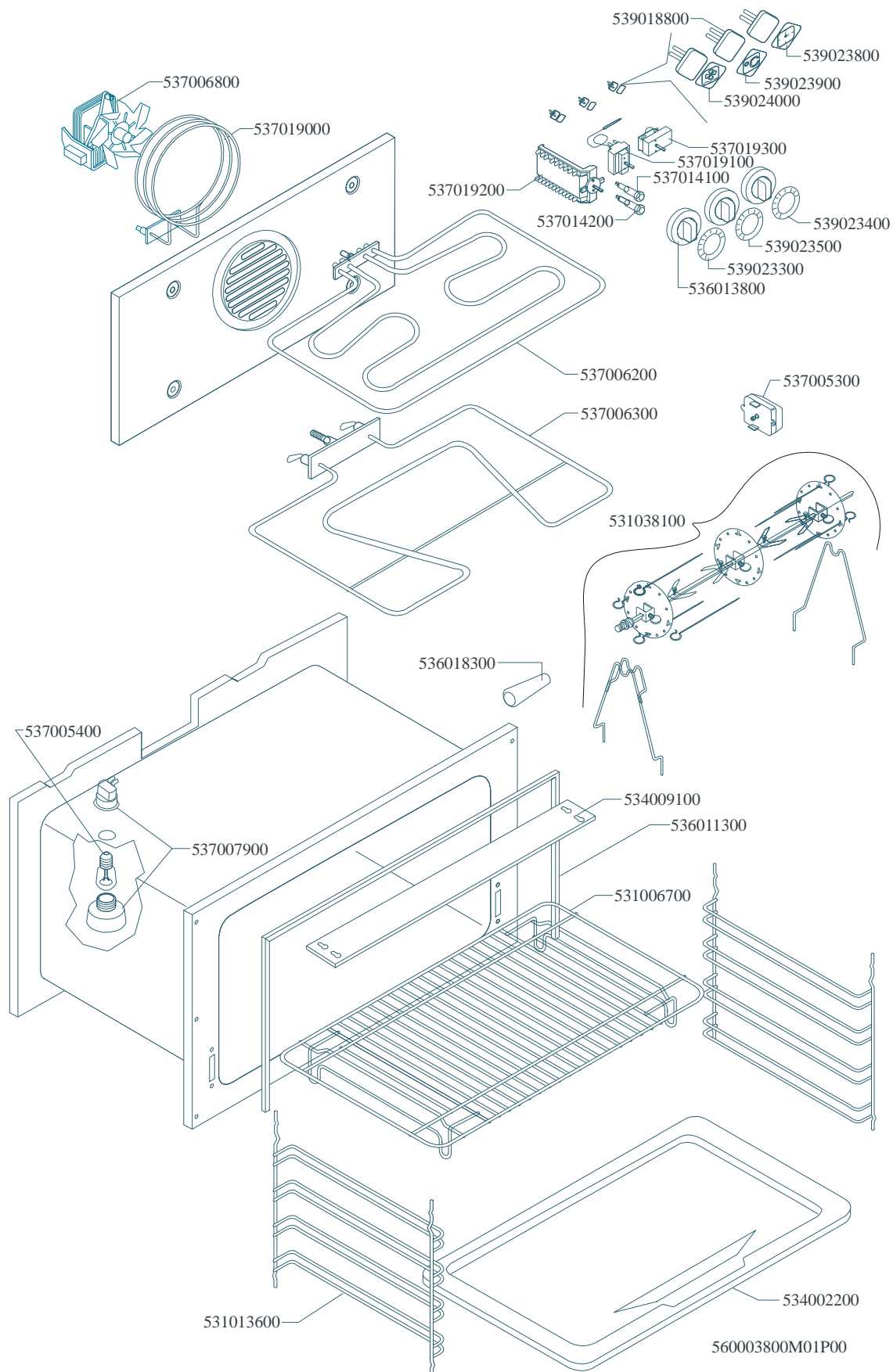


MAGIC SNACK 60

CUCINE / RANGES / HERDE / CUISINIÈRES / N° 0309

FORNO / OVEN / BACKOFEN / FOUR / CF-8 10 10/6

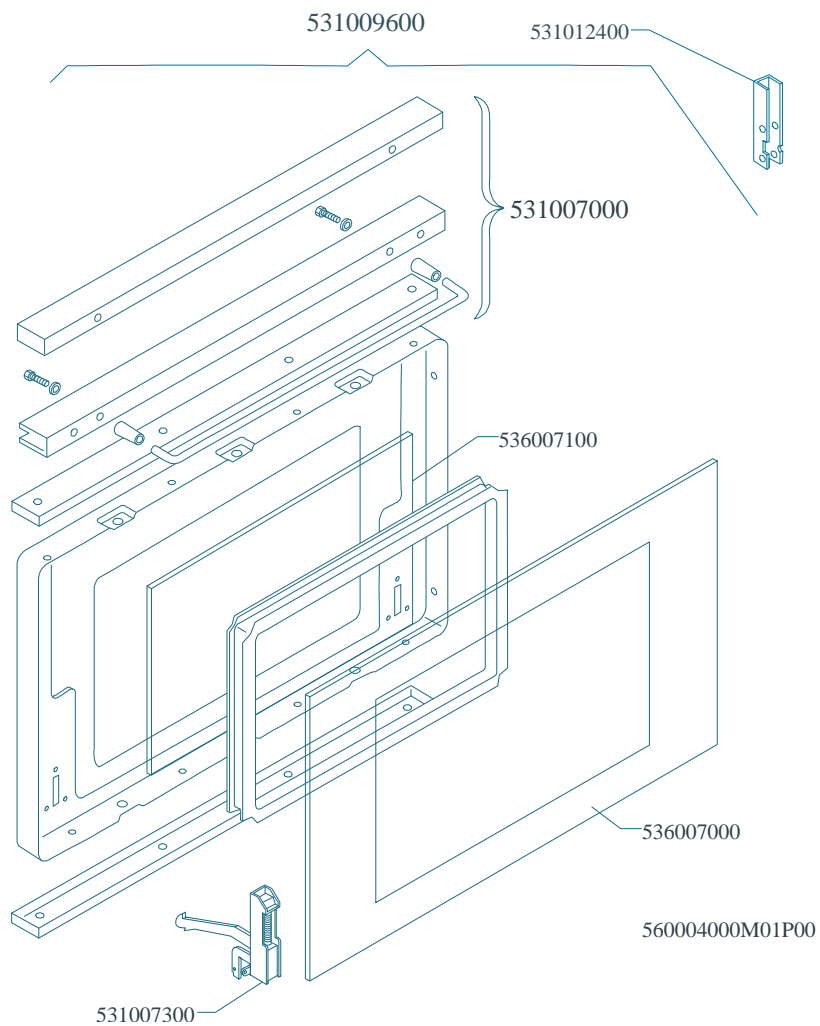
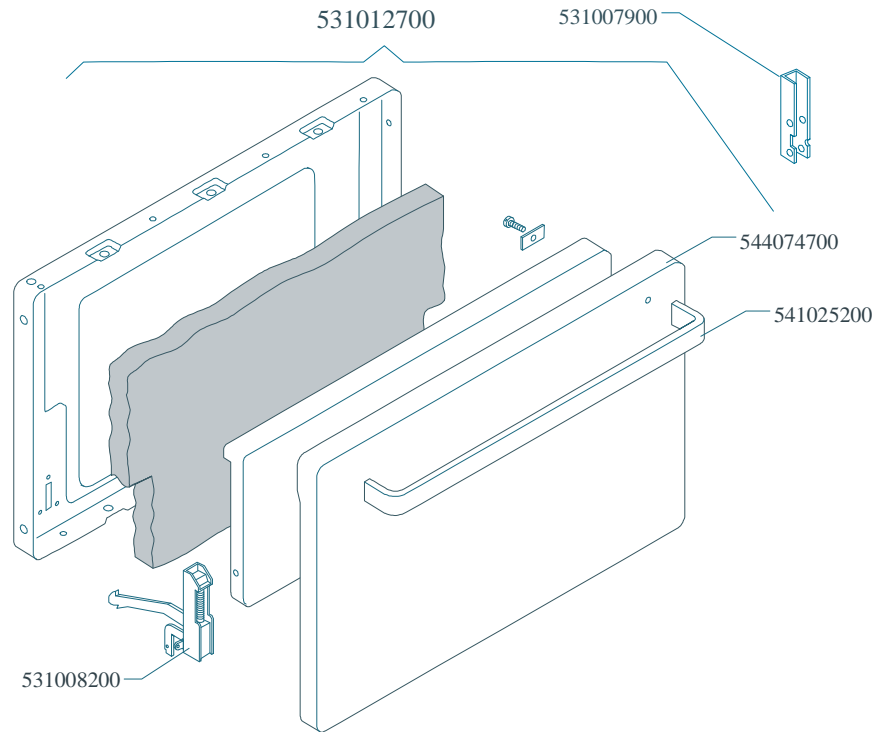
ELETTORICO MULTIFUNZIONE / MULTIFUNCTION ELECTRIC / MULTIFUNKTIONS
ELEKTRO / ELECTRIQUE A FONCTIONS MULTIPLES



MAGIC SNACK 60

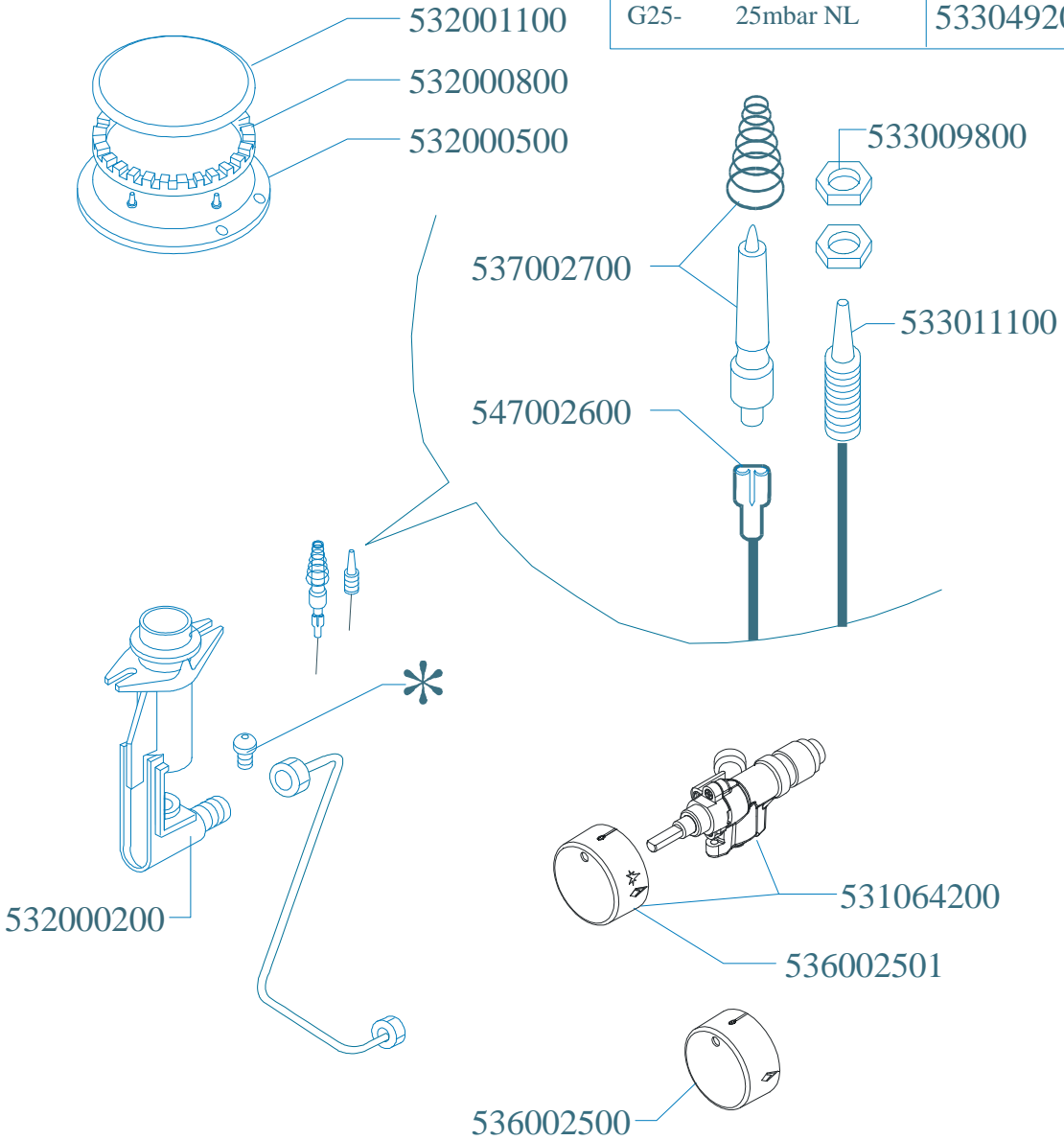
CUCINE / RANGES / HERDE / CUISINIÈRES / N° 0309
FORNO / OVEN / BACKOFEN / FOUR / CF-8 10 10/6

PORTE / DOORS / TÜREN / PORTES



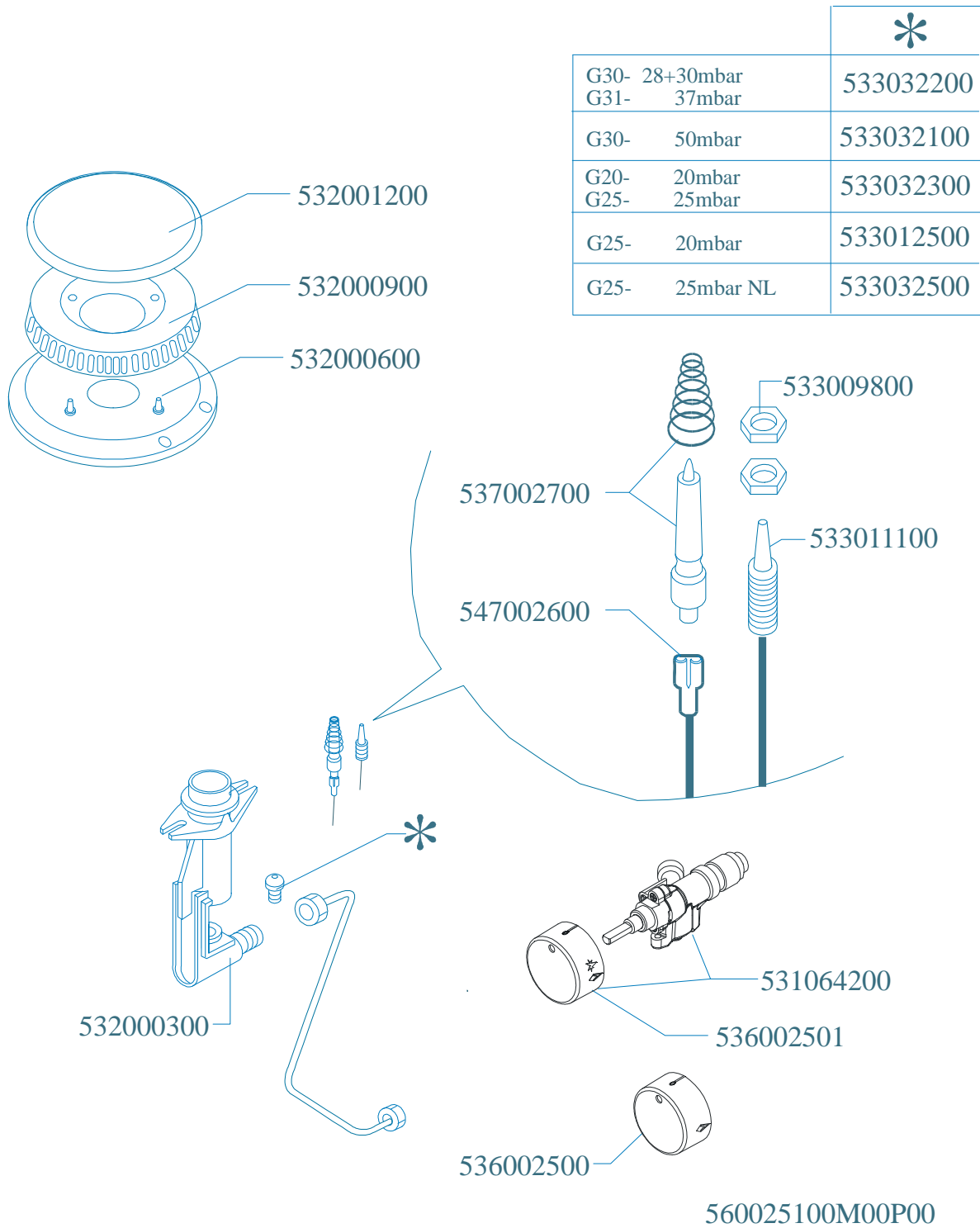
PC-G R V

| | |
|-------------------------------|-----------|
| | * |
| G30- 28+30mbar G31- 37mbar | 533032100 |
| G30- 50mbar | 533049000 |
| G20- 20mbar G25- 25mbar | 533049100 |
| G25- 20mbar | 533032400 |
| G25- 25mbar NL | 533049200 |



560025200M00P00

PC-G UR



| Page | Pos | Code | Description |
|------|-----|-----------|-------------------------------------|
| 001 | | 544044300 | SIDE 1000 RANGE |
| 001 | | 537007600 | TERMINAL BLOCK SINGLEPHASE 40A |
| 001 | | 531008100 | ADJUSTABLE LEG H9 CHROME |
| 002 | | 541027000 | NEUTRAL SPACER 1000 |
| 002 | | 533009100 | REDUCTION S.60 |
| 002 | | 532002100 | 2 BURNERS GRID |
| 002 | | 532002200 | 1 FLAME GRILL |
| 002 | | 544037800 | 2 BURNER DRIP PAN (QUICK+VERY QUICK |
| 002 | | 544037500 | 1 BURNER DRIP PAN (VERY QUICK) |
| 002 | | 544038800 | 2 BURNER DRIP PAN (QUICK+QUICK) |
| 002 | | 537008400 | IGNITION UNIT 8 FLAMES V230 |
| 002 | | 537005600 | 6 FLAME IGNITION CONTROL BOX V230 |
| 002 | | 541012100 | UPPER PLATE CF-10G |
| 002 | | 537015600 | BIPOLAR SWITCH |
| 002 | | 544082800 | CONTROL PANEL FOR RANGE CFM-10GEM |
| 003 | | 539018800 | INDEX FOR OVEN KNOB |
| 003 | | 539023800 | SIGN PLATE FOR OVEN TIMER |
| 003 | | 539023900 | SIGN PLATE FOR OVEN TEMPERATURE |
| 003 | | 539024000 | SIGN PLATE FOR OVEN SELECTOR |
| 003 | | 537019300 | TIMER FOR MULTIFUNCTION OVEN |
| 003 | | 537019100 | THERMOSTAT FOR MULTIFUNCTION OVEN |
| 003 | | 537014100 | WHITE WARNING LIGHT 250V |
| 003 | | 537014200 | GREEN WARNING LIGHT 250V |
| 003 | | 537019200 | SELECTOR FOR MULTIFUNCTION OVEN |
| 003 | | 537006800 | FAN 240V CF-62 |
| 003 | | 537019000 | CIRCULAR HEATING ELEMENT FOR OVEN |
| 003 | | 539023400 | ADHESIVE GRADUATED DISC F.KNOB |
| 003 | | 539023500 | ADHESIVE GRAD.DISC *E.MULTIF.TERM. |
| 003 | | 539023300 | ADHESIVE GRADUATED DISC FOR KNOB |
| 003 | | 536013800 | KNOB D.70 BLACK 6*5 WITH SPRING |
| 003 | | 537006200 | UPPER OVEN HEATING EL.1000+2000W |
| 003 | | 537006300 | LOWER OVEN HEATING EL.W1750 230CF8/ |
| 003 | | 537005300 | MOTOR FOR SPIT CF-8/10 |
| 003 | | 531038100 | SPIT FOR MAXI MULTIF. NEW OVEN |
| 003 | | 536018300 | GRIP FOR ROTATING SPIT |
| 003 | | 537005400 | OVEN BULB 15W 300°C |
| 003 | | 534009100 | GRILL PROTECTION CF-8/10 |
| 003 | | 536011300 | OVEN GASKET CF-8/10 |
| 003 | | 537007900 | OVEN BULB-SOCKET |
| 003 | | 531006700 | OVEN GRID FOR CF-8/10 |
| 003 | | 534002200 | OVEN DRIPPING-PAN CF-8/10 |
| 003 | | 531013600 | SIDE GRID FOR MAXI/VENTILATED OVEN |
| 004 | | 531012700 | STAINLESS STEEL OVEN DOOR CF-8/10 |
| 004 | | 531007900 | STAINLESS STEEL DOOR WHEEL HOLDER |
| 004 | | 544074700 | STAINLESS STEEL OVEN DOOR PANEL |
| 004 | | 541025200 | STAINLESS STEEL OVEN DOOR HANDLE |
| 004 | | 531008200 | STAINLESS STEEL DOOR HINGE CF-8/10 |
| 004 | | 531009600 | COMPLETE GLASS OVEN DOOR |
| 004 | | 531012400 | GLASS DOOR WHEEL HOLDER CF-8/10 |
| 004 | | 531007000 | OVEN GLASS DOOR HANDLE CF-8/10 |
| 004 | | 536007100 | INTERNAL GLASS OVEN DOOR CF-8/10 |

| Page | Pos | Code | Description |
|------|-----|-----------|-------------------------------------|
| 004 | | 536007000 | EXTERNAL GLASS OVEN DOOR CF8/10 |
| 004 | | 531007300 | GLASS DOOR HINGE CF-8/10 |
| 005 | | 533032100 | NOZZLE §82 CH9*10 CE G-R |
| 005 | | 533049000 | NOZZLE §72 CH9*10 F-R |
| 005 | | 533049100 | NOZZLE §125 CH9*10 H-R |
| 005 | | 533032400 | NOZZLE §135 CH9*10 L-R |
| 005 | | 533049200 | NOZZLE §130 CH9*10 AARD.L-R |
| 005 | | 532001100 | QUICK BURNER COVER IN CAST IRON |
| 005 | | 532000800 | QUICK BURNER RING |
| 005 | | 532000500 | QUICK BURNER SUPPORT 2HOLES |
| 005 | | 537002700 | PLUG WITH SPRING H57 |
| 005 | | 547002600 | HIGH-VOLTAGE CABLE L=500 |
| 005 | | 533009800 | BRASS NUT M8*1 |
| 005 | | 533011100 | THERMOCOUPLE 600 M8*1 |
| 005 | | 531064200 | GAS COCK 22-3403 WITH KNOB |
| 005 | | 532000200 | QUICK BURNER VENTURI |
| 005 | | 536002501 | COCK KNOB SNACK PC |
| 005 | | 536002500 | COCK KNOB |
| 006 | | 533032200 | NOZZLE §96 CH9*10 CE G-UR |
| 006 | | 533032100 | NOZZLE §82 CH9*10 CE G-R |
| 006 | | 533032300 | NOZZLE §142 G20 |
| 006 | | 533012500 | NOZZLE §160 CH9*10 L-UR |
| 006 | | 533032500 | NOZZLE §150 CH9*10 AARD.L-UR |
| 006 | | 532001200 | ULTRA-QUICK BURNER COVER IN CAST IR |
| 006 | | 532000900 | ULTRA-QUICK BURNER RING |
| 006 | | 532000600 | ULTRA-QUICK BURNER SUPPORT 2HOLES |
| 006 | | 533009800 | BRASS NUT M8*1 |
| 006 | | 537002700 | PLUG WITH SPRING H57 |
| 006 | | 533011100 | THERMOCOUPLE 600 M8*1 |
| 006 | | 547002600 | HIGH-VOLTAGE CABLE L=500 |
| 006 | | 531064200 | GAS COCK 22-3403 WITH KNOB |
| 006 | | 532000300 | ULTRA-QUICK BURNER VENTURI |
| 006 | | 536002501 | COCK KNOB SNACK PC |
| 006 | | 536002500 | COCK KNOB |