

4,0 Kw	7,8 Kw	7,8 Kw	7,8 Kw
7,8 Kw	4,0 Kw	7,8 Kw	7,8 Kw

C4ZFZFCG
C4ZFZFCGP
C4ZFZFG
C4ZFZFGP
C4ZFZFC
C4ZFZFCP
C4ZFZFE
C4ZFZFE

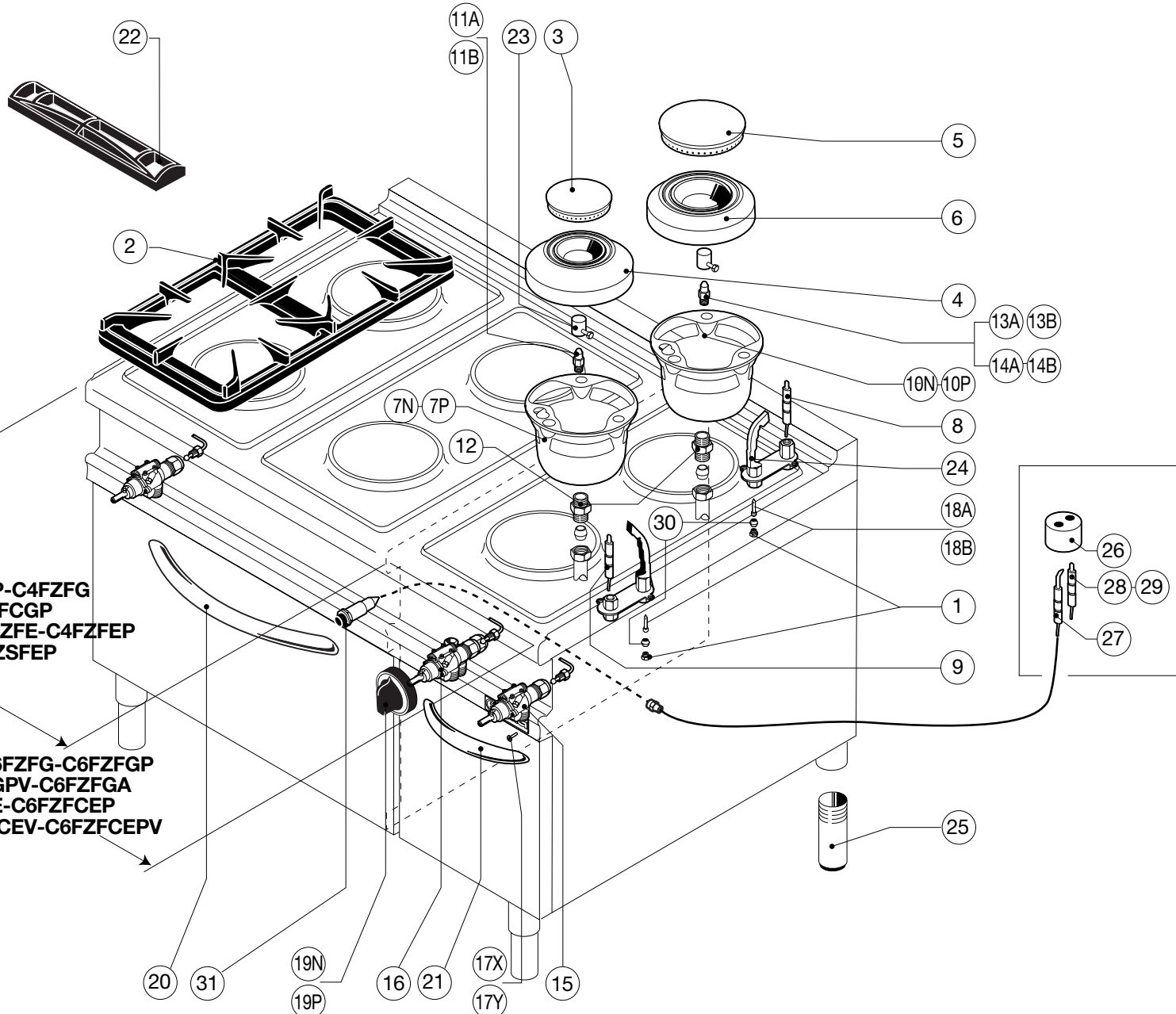
C4FZSFCGP
C4FZSFCEP
C4FZSFEP

4,0 Kw	4,0 Kw	7,8 Kw
7,8 Kw	4,0 Kw	4,0 Kw

C6ZFZFCG-C6ZFZFCGP
C6ZFZFG-C6ZFZFGP
C6ZFZFCGV-C6ZFZFCGPV
C6ZFZFGA-C6ZFZFGAP
C6ZFZFC-C6ZFZFCP
C6ZFZFE-C6ZFZFE
C6ZFZFEV-C6ZFZFEV

C4ZFZFCG-C4ZFZFCGP-C4ZFZFG
C4ZFZFGP-C4FZSFCGP
C4ZFZFC-C4ZFZFCP-C4ZFZFE-C4ZFZFE
C4FZSFCGP-C4FZSFEP

C6ZFZFCG-C6ZFZFCGP-C6ZFZFG-C6ZFZFGP
CC6ZFZFCGV-C6ZFZFCGPV-C6ZFZFGA
C6ZFZFGAP-C6ZFZFC-C6ZFZFCP
C6ZFZFE-C6ZFZFE-C6ZFZFEV-C6ZFZFEV



A = GPL / LP gas / Gaz liquide / Flüssiggas
B = Gas metano / Natural gas / Gaz naturel / Erdgas

N.B.: La tavola si completa con la successiva n° - See table No. - Voir tableau n° - Wichtig: S. folgender Plan Nr.

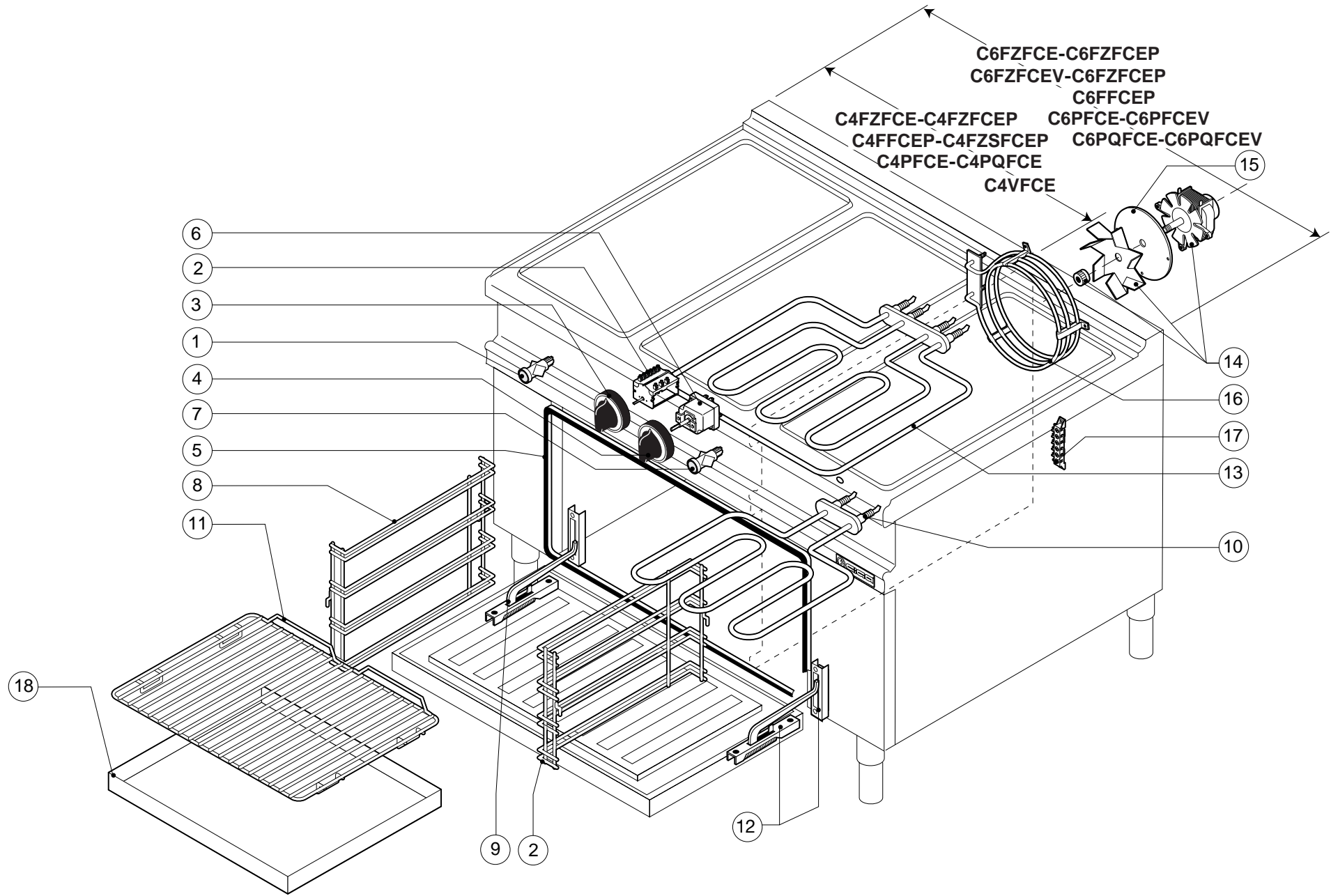
<p>• 3E05-004 C4ZFZFG-C6ZFZFG C4ZFZFGP-C6ZFZFGP</p>	<p>• 3E05-005 C4ZFZFE-C6ZFZFE C4ZFZFCP-C6ZFZFCP C4FZSFEP</p>	<p>• 3E05-006 C4ZFZFCG-C6ZFZFCG C4ZFZFCGP-C6ZFZFCGP C4FZSFCGP-C6ZFZFCGPV C6ZFZFCGPV</p>	<p>• 3E05-007 C4FZFC-C6FZFC C4FZFCP-C6FZFCP C4FZSFCGP-C6FZSFCGPV C6FZFCGPV</p>	<p>• 3E05-008 C6FZFGA C6FZFGAP</p>
---	--	---	--	--

3E05-012

<p>C4ZFZFCG-C6ZFZFCG-C4FZFCGP-C6FZFCGP C4FZFG-C6FZFG-C4FZFGP-C6FZFGP C4FZSFCGP-C6FZFCGPV-C6FZFCGPV C6FZFGA-C6FZFGAP-C4FZFC-C6FZFC C4FZFCP-C6FZFCP-C4FZFE-C6FZFE-C4FZFE C6FZFE-C4FZSFCGP-C4FZSFCGPV C6FZFCGPV</p>
--



Pezzi/Pieces - Pieces/Anzahl						Pos.	Validità dalla matricola Validité du numéro matricule Validity from serial number Gültigkeit ab der (Seriennummer)	Validità alla matricola Validity up to serial number Validité au numéro matricule Gültigkeit bis zur (Seriennummer)	Codice Code Code Artikel Nummer	Descrizione	Description	Description	Beschreibung
CAFZSFCGP CAFZSFCBP CAFZSFEF	CAFZFCG - CAFZFG CAFZFE - CAFZFE	C6FZFCG - C6FZFG C6FZFE - C6FZFE C6FZFGA - C6FZFCGV C6FZFEV	CAFZFCGP - CAFZFGP CAFZFCBP - CAFZFBP	C6FZFCGP - C6FZFGP C6FZFCBP - C6FZFBP C6FZFCGPV - C6FZFCBPV C6FZFCBPV - C6FZFCBPV									
4	4	5	4	6	1			X13200	Dado fissaggio iniettore	Injector fastening nut	Ecrou de fixation injecteur	Befestigungsmutter Einspritzung	
2	2	3	2	3	2			1550Y63000	Griglia	Grid	Grille	Rost	
	1	2	1	2	3			V00300	Spartifiamma 4,0 kW	Flame spreader 4,0 kW	Diffuseur de flamme 4,0 kW	Flammenverteiler 4,0 kW	
	1	2	1	2	4			V00100	Corpo bruciatore 4,0 kW	Burner body 4,0 kW	Corps bruleur 4,0 kW	Brennerkörper 4,0 kW	
4	2	4	2	4	5			V00400	Spartifiamma 6/7,8 kW	Flame spreader 6/7,8 kW	Diffuseur de flamme 6/7,8 kW	Flammenverteiler 6/7,8kW	
4	2	4	2	4	6			V00200	Corpo bruciatore 6/7,8 kW	Burner body 6/7,8 kW	Corps bruleur 6/7,8 kW	Brennerkörper 6/7,8 kW	
			2	2	7P			V01800	Coppa bruciatore 4,0 kW	Scoop burner 4,0 kW	Godet bruleur 4,0 kW	Brennerschale 4,0 kW	
	2	2			7N			V02000	Coppa Bruciatore 4,0 KW	Scoop burner 4,0 kW	Godet bruleur 4,0 kW	Brennerschale 4,0 kW	
2			2	3	8			X13300	Termocoppia fuoco poster.	Rear ring thermocouple	Thermocouple feu poster.	Thermoel. Hintere kochst.	
3			2	3	9			X14200	Termocoppia fuoco anter.	Front ring thermocouple	Thermocouple feu anter.	Thermoel. Vordere kochst	
4			2	4	10P			V01900	Coppa bruciatore 6/7,8 kW	Cup burner 6/7,8 kW	Coupelle bruler 6/7,8 kW	Brennerkappe 6/7,8 kW	
	2	4			10N			V02100	Coppa Bruciatore 6,0/7,8 KW	Cup burner 6,0/7,8 kW	Coupelle bruler 6,0/7,8 kW	Brennerkappe 6,0/7,8 kW	
	1	2	1	2	11A			X33700	Iniettore gpl fuoco 4,0 kw	Ring lpg injector 4,0 kw	Injecteur gaz feu 4,0 kw	Gasdüse gpl kochst 4,0 kw	
	1	2	1	2	11B			X34600	Iniettore metano fuoco 4,0 kW	Ring natural gas inject. 4,0 kW	Injecteur methane feu 4,0 kW	Gasdüse methan kochst. 4,0 kW	
4	4	6	4	6	12			V01100	Porta iniettore	Injector-holder	Porte-injecteur	Düsenträger	
4			2	2	13A			X34400	Iniettore 7,8 kW /GPL	LPG injector 7,8 kW	Injecteur gaz GPL 7,8 kW	Gasdüse GPL 7,8 kW	
4			2	2	13B			X35700	Iniettore 7,8 kW/metano	Natural gas injector 7,8 kW	Injecteur gaz methane 7,8 kW	Gasdüse Methan 7,8 kW	
			1	2	14A			X34200	Iniettore 6,0 kW /GPL	LPG injector 6,0 kW	Injecteur gaz GPL 6,0 kW	Gasdüse GPL 6,0 kW	
			1	2	14B			X35400	Iniettore 6,0 kW/metano	Natural gas injector 6,0 kW	Injecteur gaz methane 6,0 kW	Gasdüse Methan 6,0 KW	
	4	5			15			X08000	Rubinetto fuoco 4,0 kW	Gas ring cock 4,0 kW	Robinet feu 4,0 kW	Gashan kochstelle 4,0 kW	
4			4	6	16			X08100	Rubinetto fuoco 6,0 kW	Gas ring cock 6,0 kW	Robinet feu 6,0 kW	Gashan kochstelle 6,0 kW	
	2	4	2	4	17X			X11000	By Pass 4,0 KW	By Pass 4,0 KW	By Pass 4,0 KW	By Pass 4,0 KW	
4	2	2	2	2	17Y			x04800	By Pass 7,8 KW	By Pass 7,8 KW	By Pass 7,8 KW	By Pass 7,8 KW	
4			4	6	18A			X30000	Iniettore pilota/GPL	LPG injector	Injecteur gaz GPL	Gasdüse GPL	
4			4	6	18B			X30300	Iniettore pilota/metano	Natural gas injector	Injecteur gaz methane	Gasdüse Methan	
	4	4			19N			0000Y65101	Manopola per fuoco	Gas ring knob	Cle de commande pour feu	Drehknopf für kochstelle	
4			4	6	19P			0000Y65103	Manopola per fuoco	Gas ring knob	Cle de commande pour feu	Drehknopf für kochstelle	
1	1	1	1	1	20			Y65700	Maniglia forno	Oven handle	Poignée four	Backofengriff	
		1		1	21			Y65500	Maniglia porta	Door handle	Pognée four	Turgriff	
2	2	3	2	3	22			1550Y63500	Griglia scarico fumi	Smoke discharge grid	Grille évacuation des fumées	Rauchblassgitter	
4	4	6	4	6	23			V01500	Regolazione aria bruciatore	Burner air regulation	Règlage air bruler	Luftregelung Brenner	
4			4	6	24			X14400	Pilota	Pilot	Veilleuse d'allumage	Zündflammenbrenner	
4	4	4	4	4	25			X61000	Piedino	Foot	Pied	Fuss	
	2	4			26			V00900	Supporto candela e T.C.	Support	Appui	Unterstützung	
	4	6			27			X14500	Candeletta	Ignition plu	Bouge	Glühkerze	
	2	3			28			X13900	Termocoppia fuoco poster.	Rear ring thermocouple	Thermocouple feu poster.	Thermoel. Hintere kochst.	
	2	3			29			X14100	Termocoppia fuoco anter.	Front ring thermocouple	Thermocouple feu anter.	Thermoel. Vordere kochst.	
4			4	6	30			X13100	Bicono	Bicone	Bicône	Bicône	
	4	6			31			M02100	Piezo elettrico	Piezo-electric ignition	Piezo electrique	Piezoelektrischer Zünder	



N.B.: La tavola si completa con la successiva n° - See table No. - Voir tableau n° - Wichtig: S. folgender Plan Nr.

•3E05-003
C4FFCEP-C6FFCEP

•3E05-012
C4FZFCE-C6FZFCEP
C4FZFCEV-C6FZFCEV
C6FZFCEV-C6FZFCEPV
C4FZSFCEP

•3E05-014
C4PFCE-C6PFCE
C6PFCEV

•3E05-015
C4PQFCE-C6PQFCE
C6PQFCEV

•3E05-016
C4VFCE

3E05-007

C4FZFCE-C6FZFCE-C4FZFCEP-C6FZFCEP
C4FFCEP-C6FFCEP-C4FZSFCEP
C4PFCE-C6PFCE-C6PFCEV
C4PQFCE-C6PQFCE-C6PQFCEV
C6FZFCEV-C6FZFCEPV-C4VFCE



Pezzi/Pieces Pieces/Anzahl	Pos.	Validità dalla matricola Validité du numéro matricule	Validità alla matricola Validity up to serial number	Codice Code Artikel Nummer	Descrizione	Description	Description	Beschreibung
C4FZFCE - C6FZFCE - C4FZFCEP C6FZFCEP - C4FFCEP - C6FFCEP C4FZSFCEP - C4PFCE - C6PFCE- C6PFCEV - C4PQFCE - C6PQFCE - C6PQFCEV - C6FZFCEV C6FZFCEPV - C4VFCE		Validity from serial number Gültigkeit ab der (Seriennummer)	Validité au numéro matricule Gültigkeit bis zur (Seriennummer)					
1	1			X50900	Lampada verde	Green light	Lampe vert	Grüne Kontrolllampe
1	2			X68204	Commutatore	Selector switch	Commutateur	Schalter
1	3			0000X65008	Manopola commutatore	Selector knob	Bouton commutat.	Umschaltknopf
1	4			0000X65004	Manopola termostato	Knob thermostat	Cle de commande thermoc.	Drehknop thermostat
1	5			1000X05600	Guarnizione porta	Door seal	Joint porte	Türdichtung
1	6			X68205	Termostato	Oven thermostat	Thermostat	Thermostat
2	7			X41200	Lampada gialla	Yellow light	Lampe jaune	Gelbe kontrollampe
1	8			V05900	Reggigriglia sx/dx	R.H. grid support	Appui grille gauche	Oberer heizwiderstand
1	9			X66100	Cerniera sx	L.H. hinge	Charniere gauche	Rostauflegeschiene L.
1	10			X68203	Resistenza inferiore	Bottom resistance	Resistance inferieure	Unterer heizwiderstand
1	11			G11PF	Griglia	Grid	Grille	Rost
1	12			X66000	Cerniera dx	R.H. hinge	Charniere droite	Scharnier rechts
1	13			X68202	Resistenza superiore	Top resistance	Resistance superieure	Oberer heizwiderstand
1	14			V03000	Motoventilatore	Electric fan	Moto-ventilateur	Motorventilator
1	15			V05400	Isolamento	Insulation	Isolation	Isolierung
1	16			X68002	Resistenza	Resistance	Resistance	Resistenz
1	17			X59200	Morsettiera	Terminal board	Barrette de raccordement	Klemmleiste
1	18			V05700	Suola forno	Oven floor	Sole four	Boden fen