



**Kochgeräte
Elektro Multibräter Serie 700**

Artikel-Nr. 137003, 137004
(418031-371251, -371451)

Explosionszeichnung

SPARE PARTS CATALOGUE

Introduction:

This catalog enables to recognize our appliances' main spare parts reading the single exploded views.

How to look up in our catalogue :

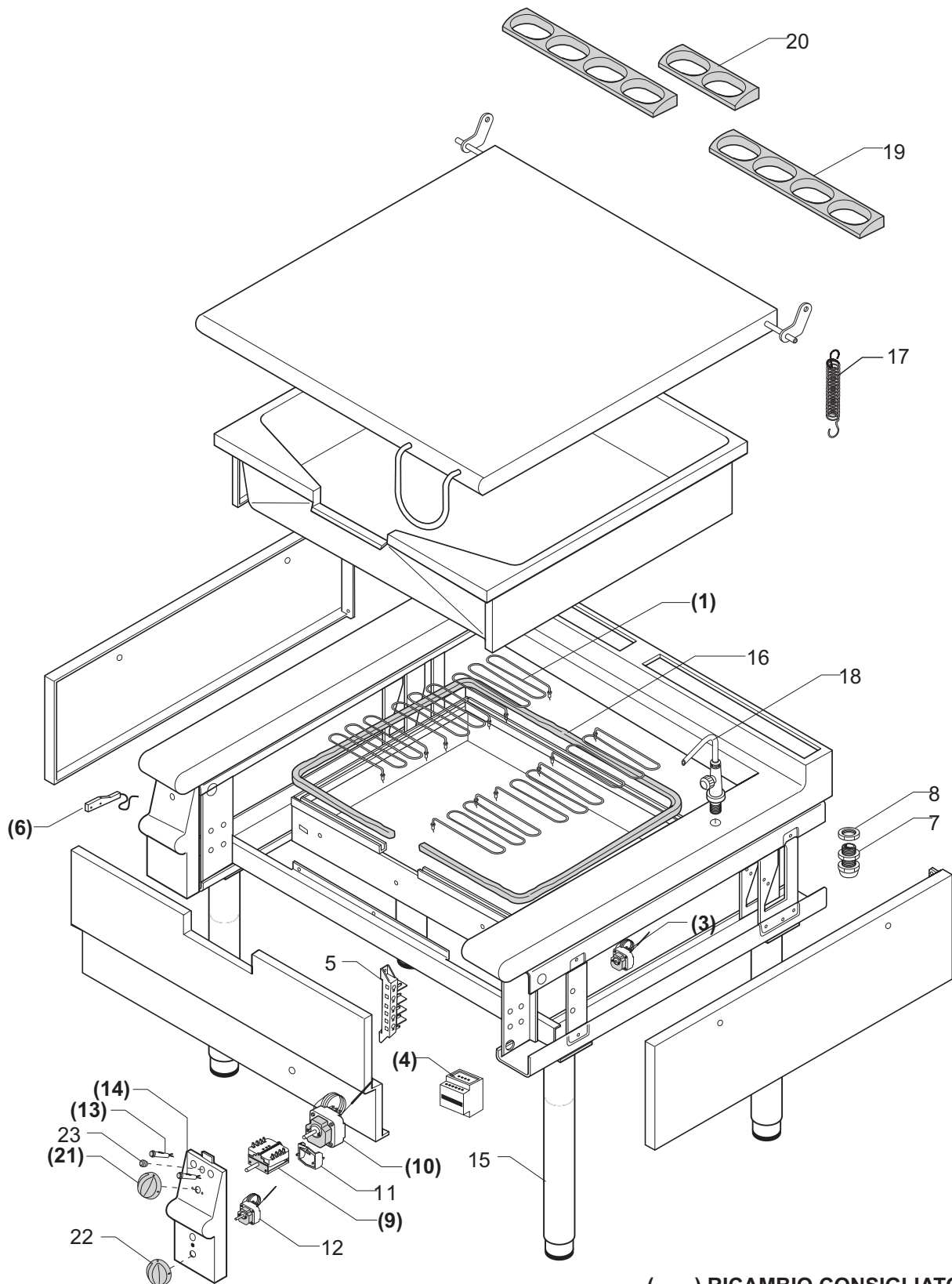
Hereunder we describe the correct method to look up in our catalogue, in order to locate the desired spare part in a quicker and more precise way.

For Example: You need the component's code-number of a gasrange with burners 1/1M.

- 1) Find the appliance's model and serial number on the rating plate.
(The rating plates are positioned in the internal side of the control panel).
- 2) Search for the belonging family in the index (BCPxxx-(0B)) . (f.ex. Gasrange with burners - top 1/1M).
- 3) After you have found the corresponding table you verify if the appliance's serial number is subsequent to that one indicated in the table.
- 4) You locate the desired spare part in the drawing on the left, and find the corresponding position in the table on the right.
- 5) Hence you obtain the codenumber and the description of the spare part you need.

LEGEND:

Position on the EXPLODED VIEW			X => Recommended spare part			
Article's codenr.		Technical description	Quantity x each model		Series	
					1/2M => L=40 cm.	
					1/1M => L=80 cm.	
					1+1/2M => L=120 cm.	
Pos	Codice	Descrizione	700	1/1M		
1	822410081	Medium burner head (Dm.102)		1		
2	822410051	Medium venturi duct (Dm.102)		1		
14	826920140	Pilot burner	x	2		



(.....) RICAMBIO CONSIGLIATO
 (.....) SUGGESTED SPARE-PARTS

BRASIERA ELETTRICA (Serie 700)
ELECTRIC BRATT PANS (Serie 700)

Tav. Rif. BCP0070-(74)

RIF. Da matricola n°
 REF. From serial n°

Rev.00 del 14/01/1999

Baron Cucine Professionali S.r.l.

RIPRODUZIONE, ANCHE PARZIALE, VIETATA

BCP0070-(73)

ELECTRIC BRATT PANS

cine p

Pos	Code	Denomination	700							
1	826620090	Heating element 700	x	6						
3	826630130	Safety thermostat 360°C	x	1						
4	826630300	Remote control switch 230V - 25A	x	1						
5	826630100	Terminal board FV 122/B		1						
6	826630310	Micro-switch	x	1						
7	824710200	Cable retainer PG21		1						
8	824710210	Lock nut PG21		1						
9	826630290	Bipolar switch	x	1						
10	826630191	Monophase thermostat 50-320°C	x	1						
11	821550060	Connection pivot for electric components		1						
13	826650030	Signal lamp 230V (orange)	x	1						
14	826650020	Signal lamp 230V (green)	x	1						
15	826490381	2" Leg assembly		4						
16	825110080	Gasket (per meter)		1,9						
17	823210031	Cover spring		2						
18	826900260	Water inlet tap		1						
19	822410120	Exhaust grid		2						
20	822410130	Exhaust grid L=200mm		1						
21	824710270	Thermostat knob 50-300°C	x	1						
22	824710260	Energy regulator for knob	x	1						
23	824710080	Red index		1						

X: Suggested PARTS

BRASIERA ELETTRICA (Serie 700 - 1/1M)
ELECTRIC BRATT PANS

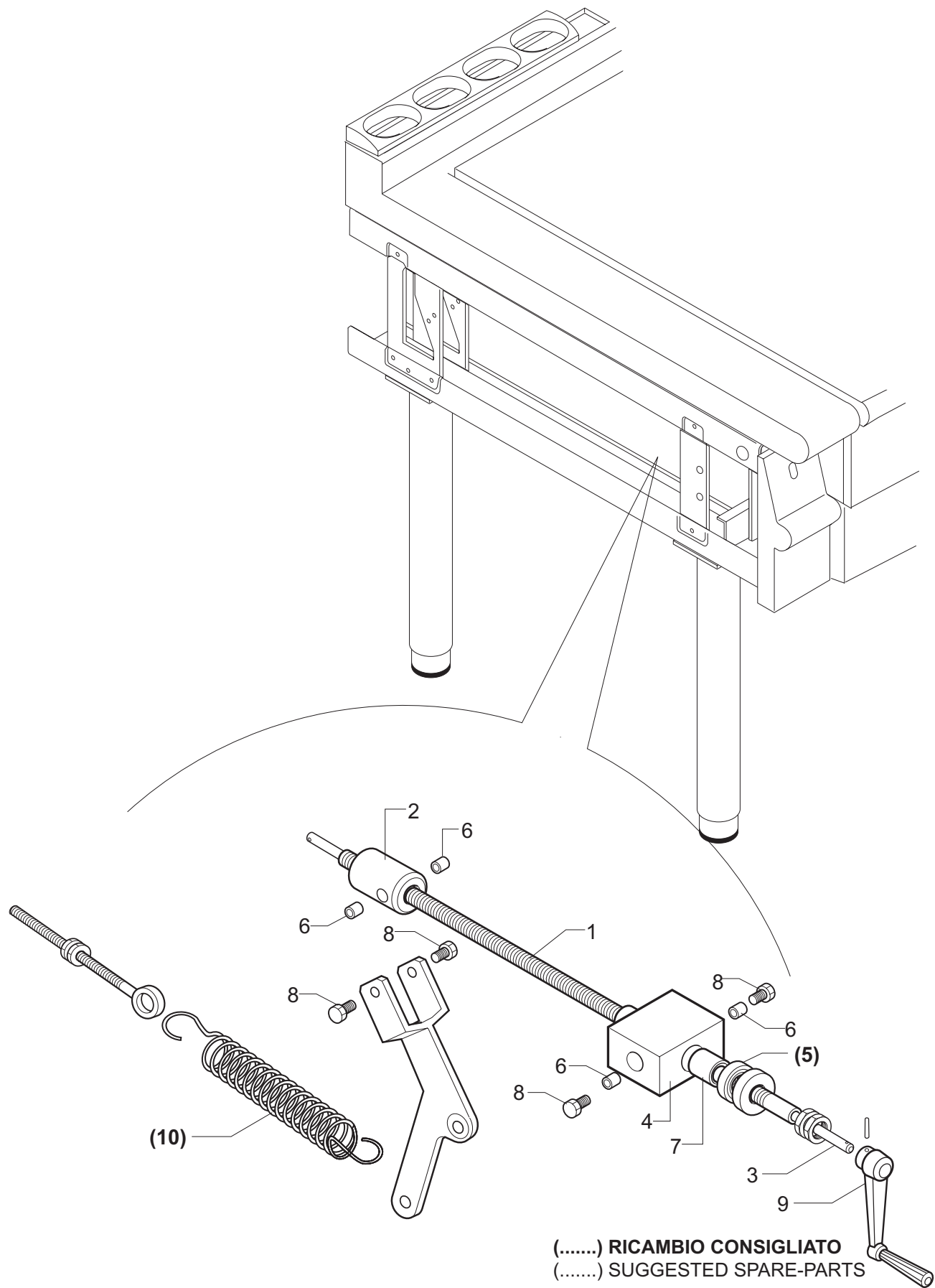
RIF. Da matricola n°
REF. From serial n°

Baron Cucine Professionali S.r.l.

GB

RIPRODUZIONE ANCHE PARZIALE, VIETATA

BCP0070-(74)



(.....) RICAMBIO CONSIGLIATO
 (.....) SUGGESTED SPARE-PARTS

GRUPPO SOLLEVAMENTO VASCA (Serie 700)
TANIC TILTING SET (Serie 700)

Tav. Rif. BCP0070-(76)

RIF. Da matricola n°
 REF. From serial n°

Rev.00 del 14/01/1999

Baron Cucine Professionali S.r.l.

RIPRODUZIONE, ANCHE PARZIALE, VIETATA

BCP0070-(75)

ELECTRIC BRATT PANS

TANIC TILTING SET

cucine p

Pos	Code	Denomination	700						
1	822160171	Screw for tanic tilting	1						
2	822160160	Trapezoidal female screw	1						
3	822160140	Rod for handle	1						
4	822160151	Guide for screw for tanic tilting	1						
5	826900240	Roller D=17 H=12	x 1						
6	8227908086	Bushing GL YCODUR D=8 H=8	4						
7	8227909176	Bushing GL YCODUR D=17 L=20	1						
8	822160130	Special screw for actioning	4						
9	826900620	Handle	1						
11	823210020	Tilting spring 700 tanic	x 1						

X: Suggested PARTS

GRUPPO SOLLEVAMENTO VASCA (Serie 700 - 1/1M) TANIC TILTING SET	RIF.	Da matricola n°
	REF.	From serial n°

Baron Cucine Professionali S.r.l.

GB

RIPRODUZIONE ANCHE PARZIALE, VIETATA

BCP0070-(76)