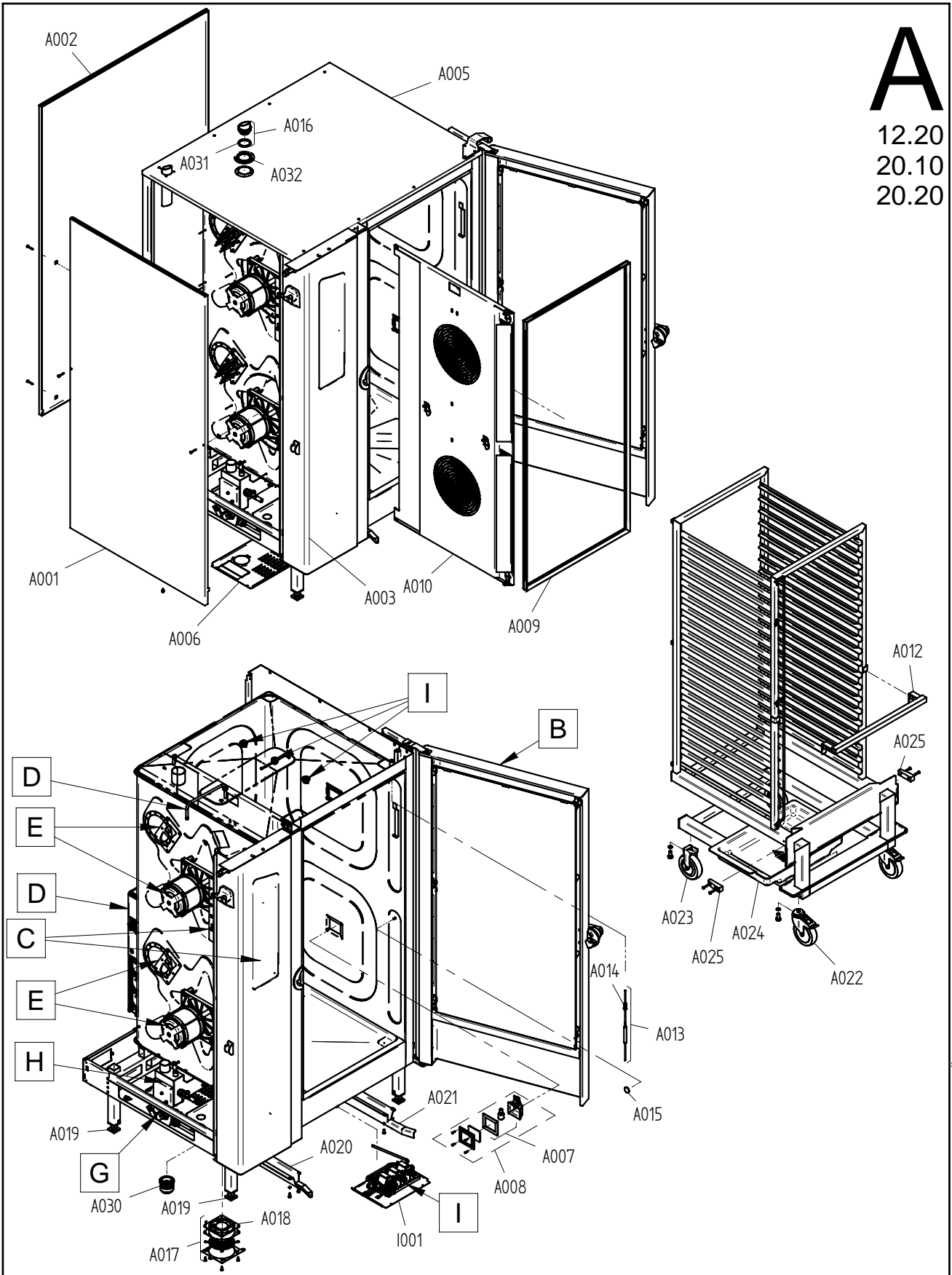


# Ersatzteilzeichnung Außengehäuse Standgeräte P3 Spare part drawing outer casing floor units P3

ETZ A - AG 567 P3 1 / 1

**A**  
12.20  
20.10  
20.20



Art. Nr. 9825277\_00 | 14.7.2009 | Änderungen vorbehalten! Changes excepted!

gültig ab / valid from:	Vorgängerversion / previous version:
gültig bis / valid to:	Nachfolgeversion / follow-up version:

Enodis  
Talstraße 35  
D- 82436 Egfling | Germany

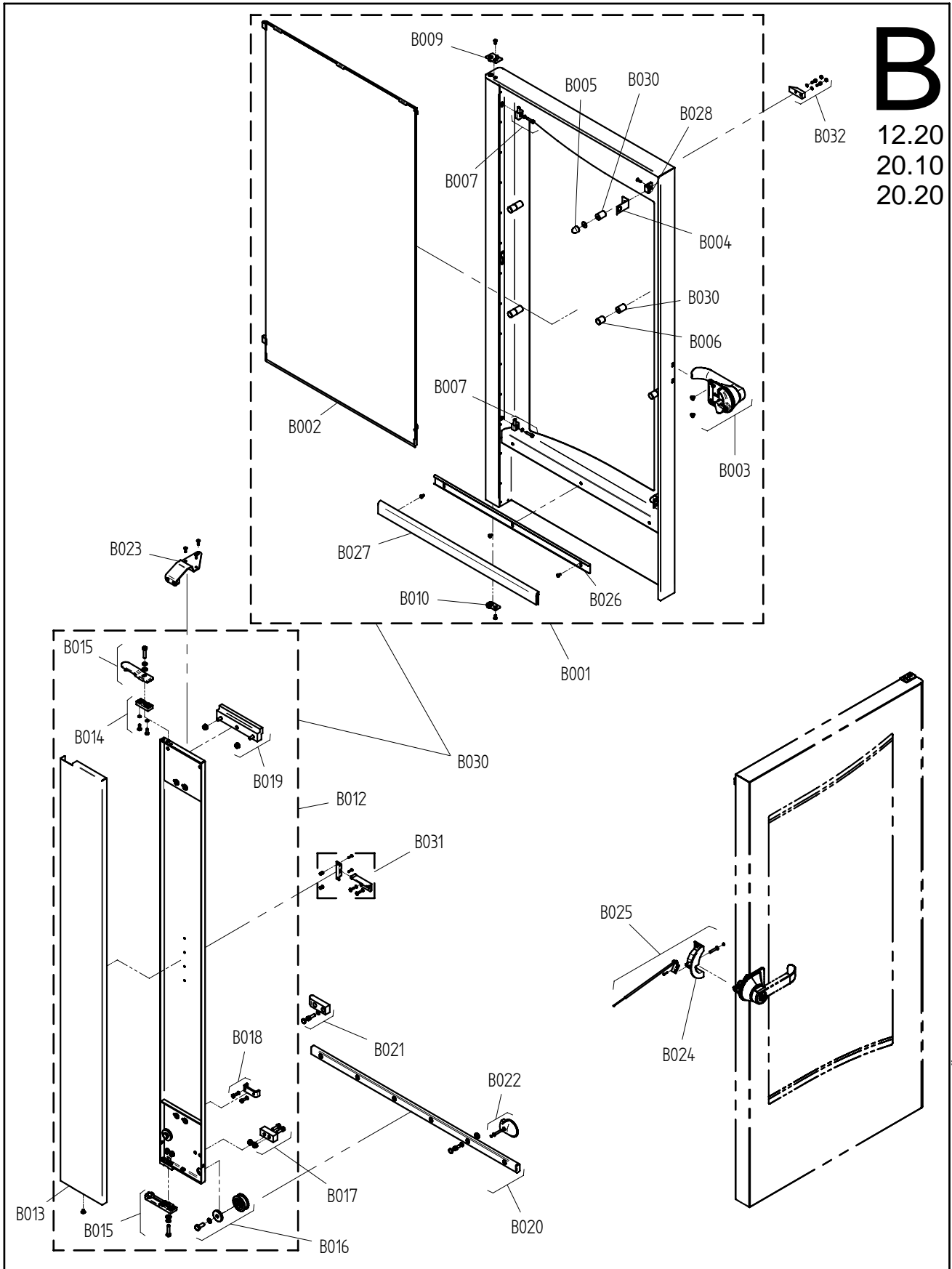
Tel. +49(0)8847/67-0  
Fax +49(0)8847/414  
info@hotairsteamer.com



# Ersatzteilzeichnung Tür Standgeräte P3 Spare part drawing door floor units P3

ETZ B - Tür 567 P3 1 / 1

**B**  
12.20  
20.10  
20.20



gültig ab / valid from:	Vorgängerversion / previous version:
gültig bis / valid to:	Nachfolgeversion / follow-up version:

Enodis  
Talstraße 35  
D- 82436 Egfling | Germany

Tel. +49(0)8847/67-0  
Fax +49(0)8847/414  
info@hotairsteamer.com



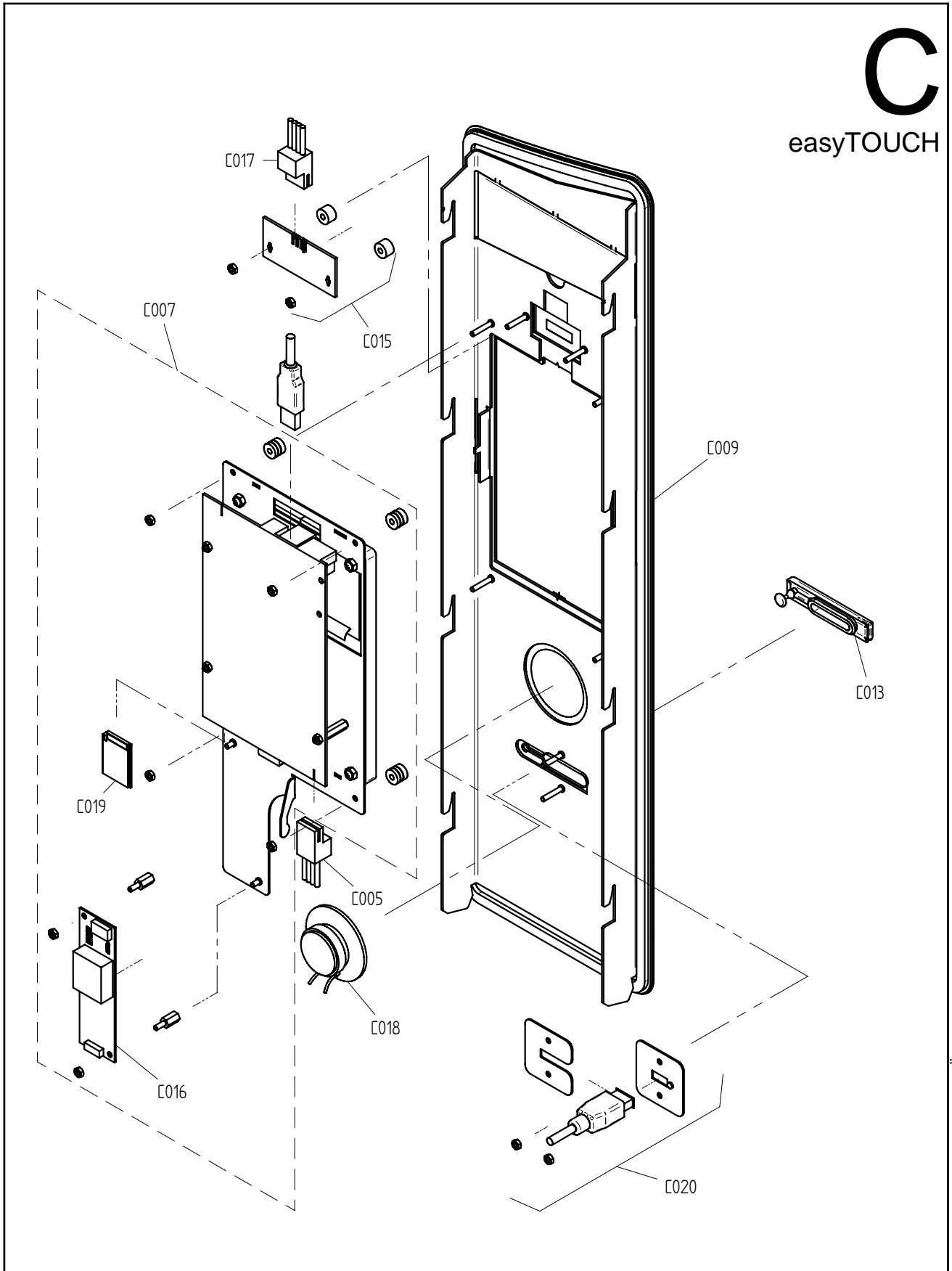
Art. Nr. 9825281\_00 | 14.7.2009 | Änderungen vorbehalten! Changes excepted!

# Ersatzteilzeichnung Bedienblende easyTOUCH P3 Spare part drawing operating panel easyTOUCH P3

ETZ C - BM ET P3 1 / 1

# C

easyTOUCH



Art. Nr. 9825285\_00 | 14.7.2009 | Änderungen vorbehalten! Changes excepted!

gültig ab / valid from:	Vorgängerversion / previous version:
gültig bis / valid to:	Nachfolgeversion / follow-up version:

Enodis  
Talstraße 35  
D- 82436 Egfling | Germany

Tel. +49(0)8847/67-0  
Fax +49(0)8847/414  
info@hotairsteamer.com

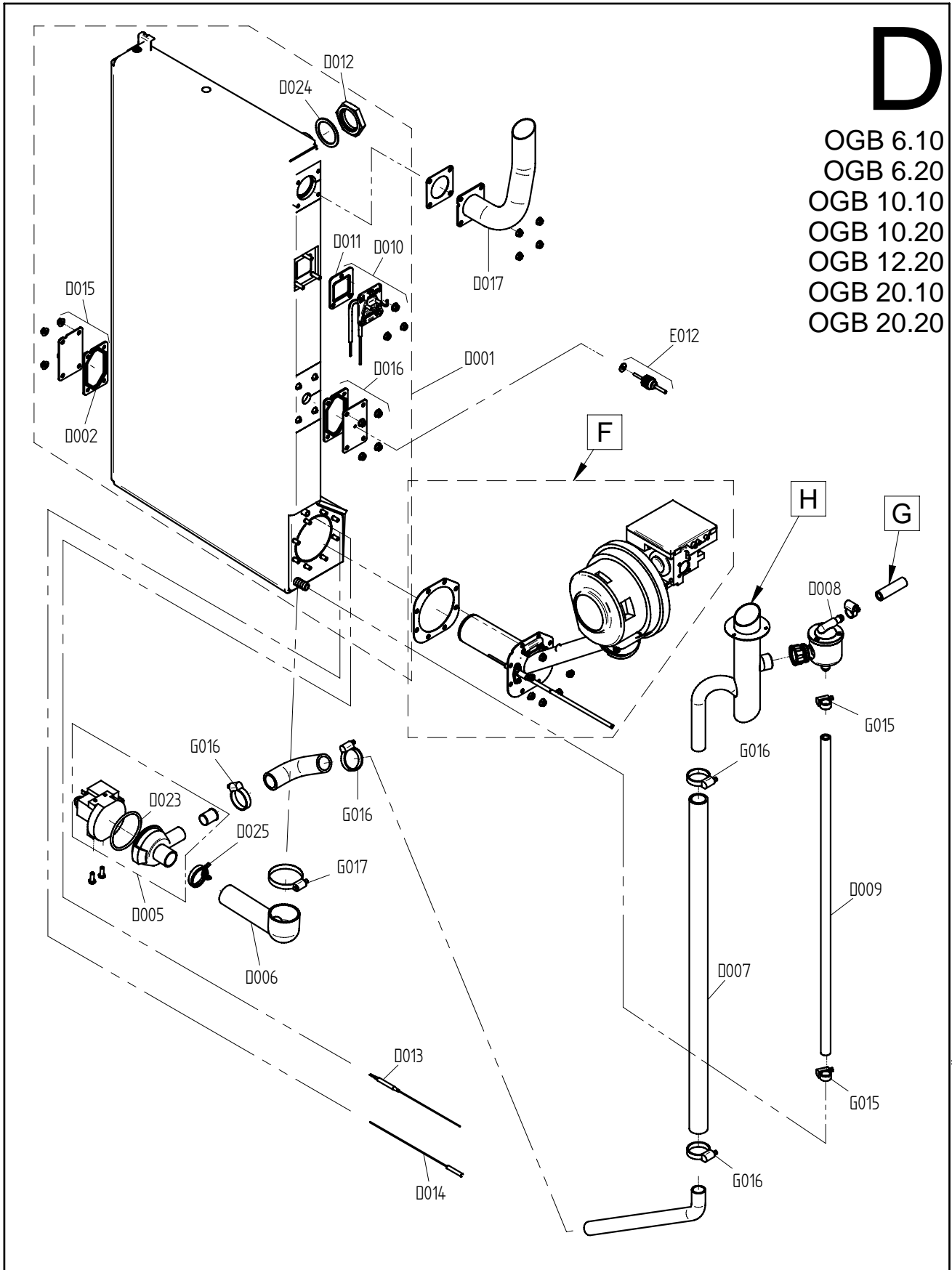


# Ersatzteilzeichnung Gas-Dampferzeuger P3 Spare part drawing gas steam generator P3

ETZ D - DE GB P3 1 / 1

# D

OGB 6.10  
OGB 6.20  
OGB 10.10  
OGB 10.20  
OGB 12.20  
OGB 20.10  
OGB 20.20



Art. Nr. 9825291\_00 | 14.7.2009 | Änderungen vorbehalten! Changes excepted!

gültig ab / valid from:	Vorgängerversion / previous version:
gültig bis / valid to:	Nachfolgeversion / follow-up version:

Enodis  
Talstraße 35  
D- 82436 Egfling | Germany

Tel. +49(0)8847/67-0  
Fax +49(0)8847/414  
info@hotairsteamer.com

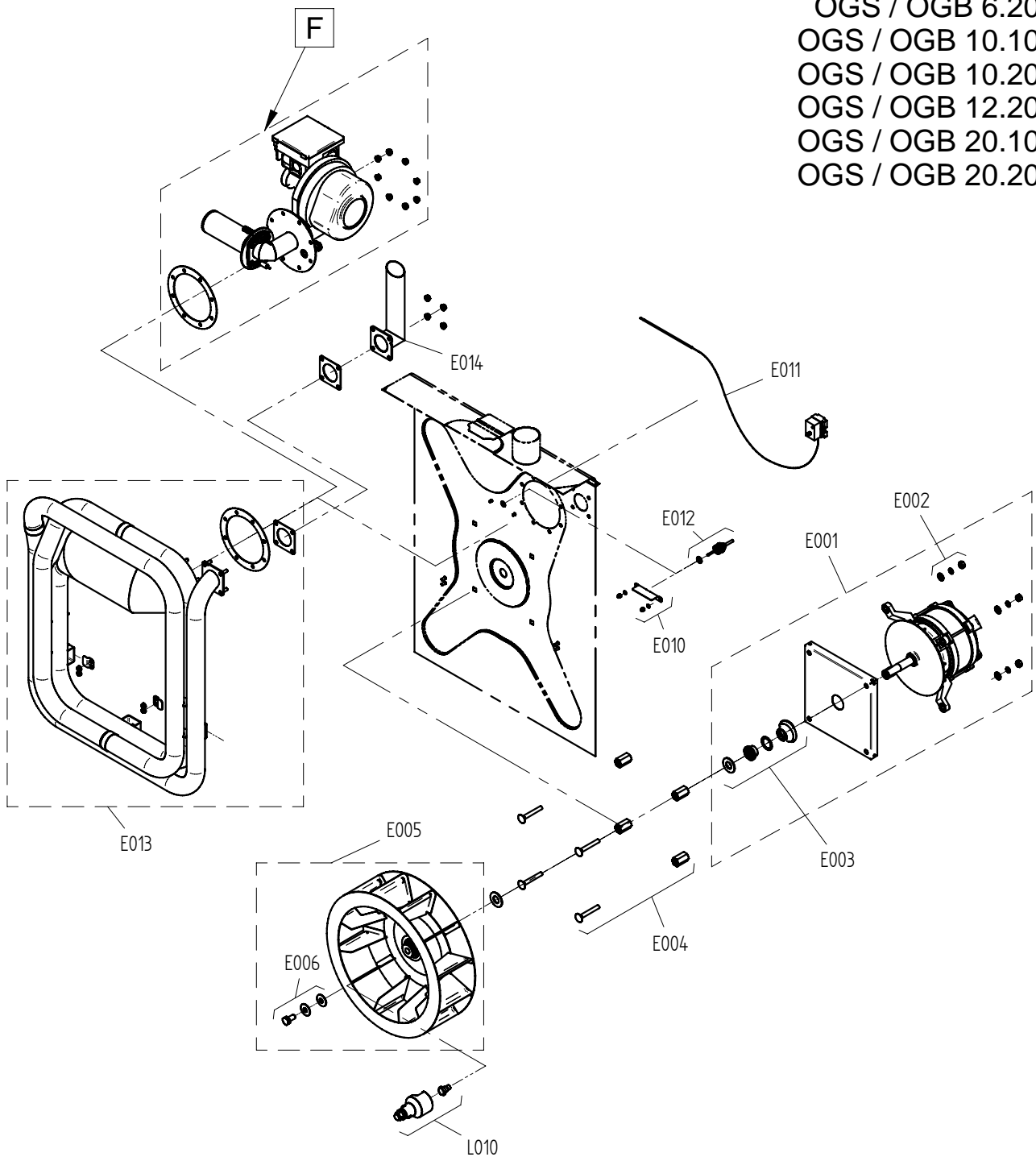


Ersatzteilzeichnung Heissluffterzeugung Gas P3  
Spare part drawing gas heating system P3

ETZ E - HL-Heizung GAS P3 1 / 1

**E**

OGS / OGB 6.10  
OGS / OGB 6.20  
OGS / OGB 10.10  
OGS / OGB 10.20  
OGS / OGB 12.20  
OGS / OGB 20.10  
OGS / OGB 20.20



Art. Nr. 9825297\_00 | 14.7.2009 | Änderungen vorbehalten! Changes excepted!

gültig ab / valid from:  
gültig bis / valid to:

Vorgängerversion / previous version:  
Nachfolgeversion / follow-up version:

Enodis  
Talstraße 35  
D- 82436 Egfling | Germany

Tel. +49(0)8847/67-0  
Fax +49(0)8847/414  
info@hotairsteamer.com

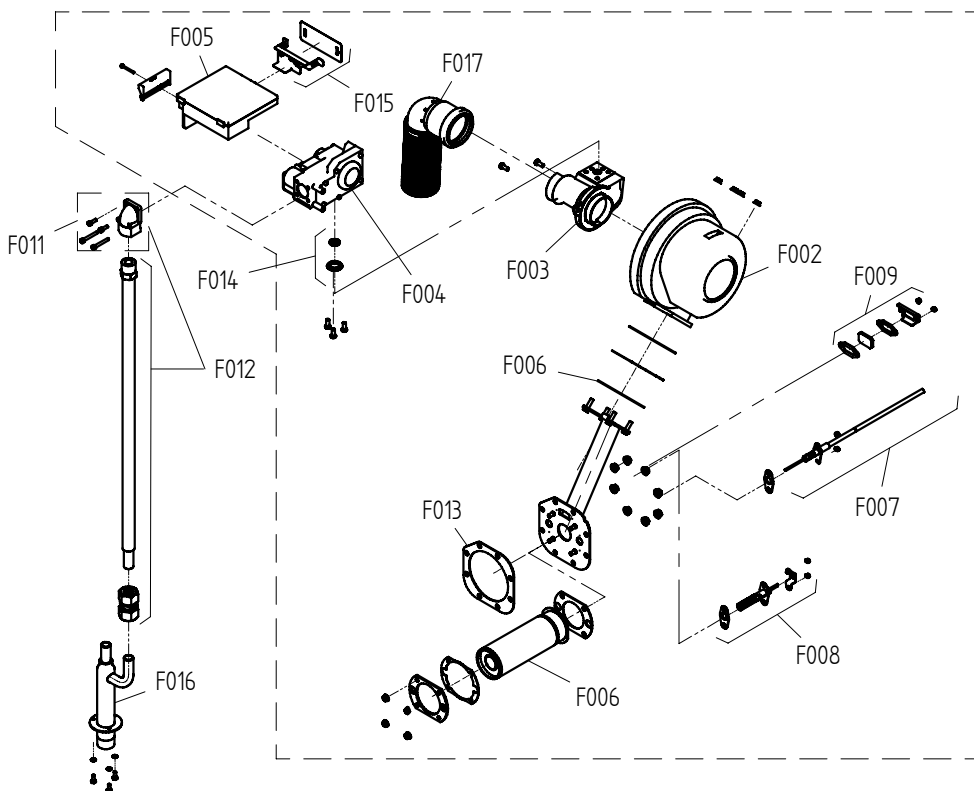
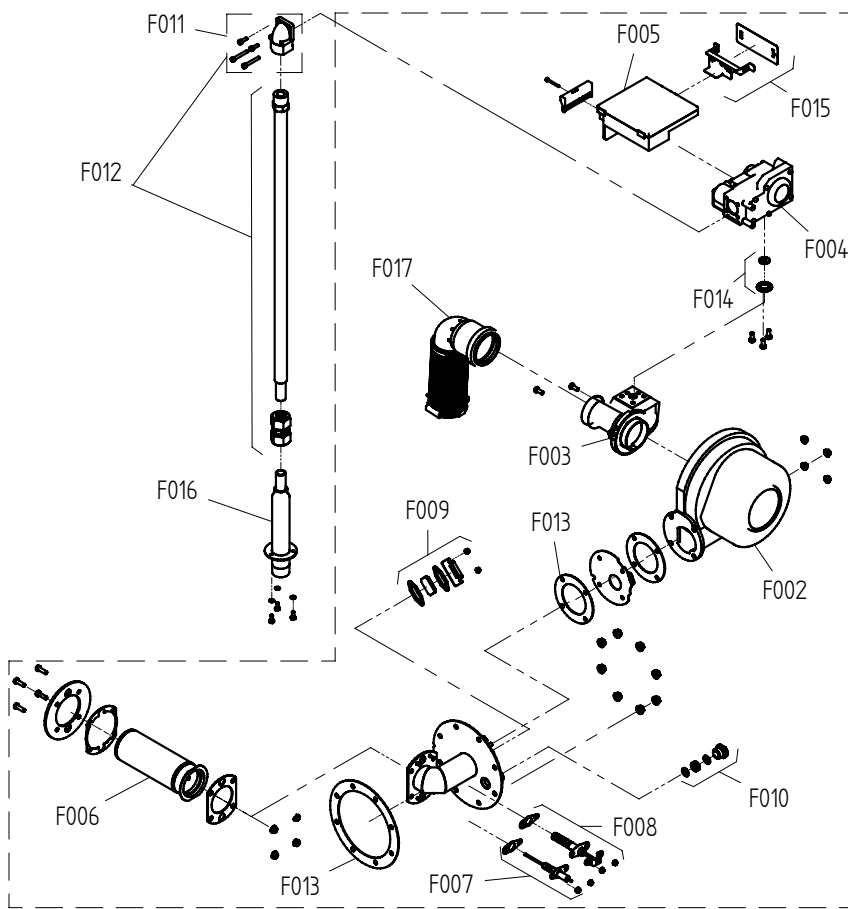


# Ersatzteilzeichnung Gas Brenneinheit P3 Spare part drawing gas burner unit P3

ETZ F - Brenneinheit GAS P3 1 / 1

# F

Heissluftheizung /  
hot air heating  
OGS / OGB 6.10  
OGS / OGB 6.20  
OGS / OGB 10.10  
OGS / OGB 10.20  
OGS / OGB 12.20  
OGS / OGB 20.10  
OGS / OGB 20.20



Dampferzeuger /  
steam generator  
OGB 6.10  
OGB 6.20  
OGB 10.10  
OGB 10.20  
OGB 12.20  
OGB 20.10  
OGB 20.20

Art. Nr. 9825300\_00 | 14.7.2009 | Änderungen vorbehalten! Changes excepted!

gültig ab / valid from:  
gültig bis / valid to:

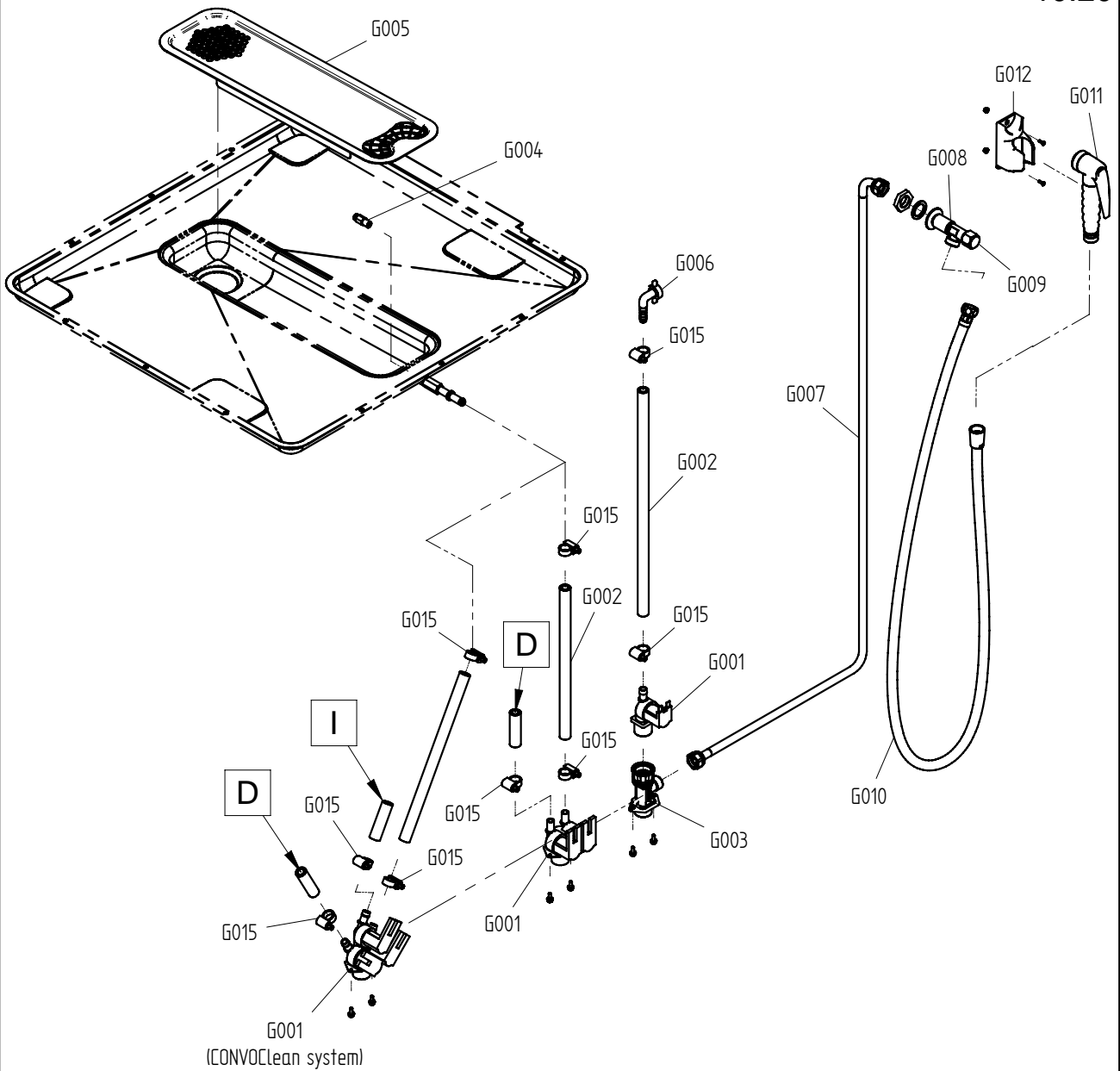
Vorgängerversion / previous version:  
Nachfolgeverson / follow-up version:

Ersatzteilzeichnung Wasserversorgung Tischgeräte P3  
Spare part drawing water supply tabletop units P3

ETZ G - WV P3 1 / 1

**G**

6.10  
6.20  
10.10  
10.20



Art. Nr. 9825301\_00 | 14.7.2009 | Änderungen vorbehalten! Changes excepted!

gültig ab / valid from:  
gültig bis / valid to:

Vorgängerversion / previous version:  
Nachfolgeverson / follow-up version:

Enodis  
Talstraße 35  
D- 82436 Eglfing | Germany

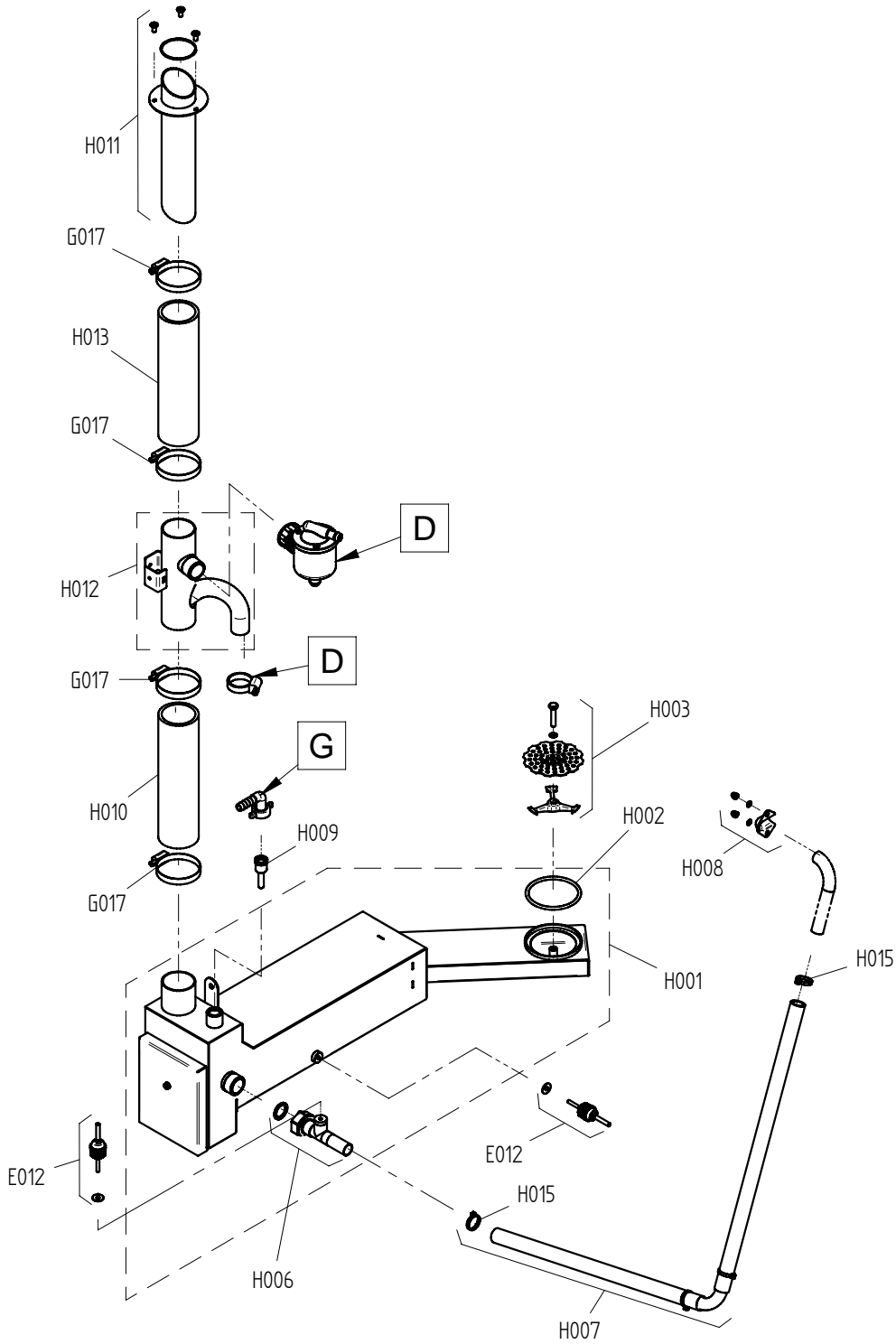
Tel. +49(0)8847/67-0  
Fax +49(0)8847/414  
info@hotairsteamer.com



# Ersatzteilzeichnung Abwasserentsorgung Standgeräte P3 Spare part drawing sewage disposal floor units P3

ETZ H - Abwasser 567 P3 1 / 1

**H**  
12.20  
20.10  
20.20



Art. Nr. 9825308\_00 | 14.7.2009 | Änderungen vorbehalten! Changes excepted!

gültig ab / valid from:	Vorgängerversion / previous version:
gültig bis / valid to:	Nachfolgeversion / follow-up version:

Enodis  
Talstraße 35  
D- 82436 Eglfing | Germany

Tel. +49(0)8847/67-0  
Fax +49(0)8847/414  
info@hotairsteamer.com

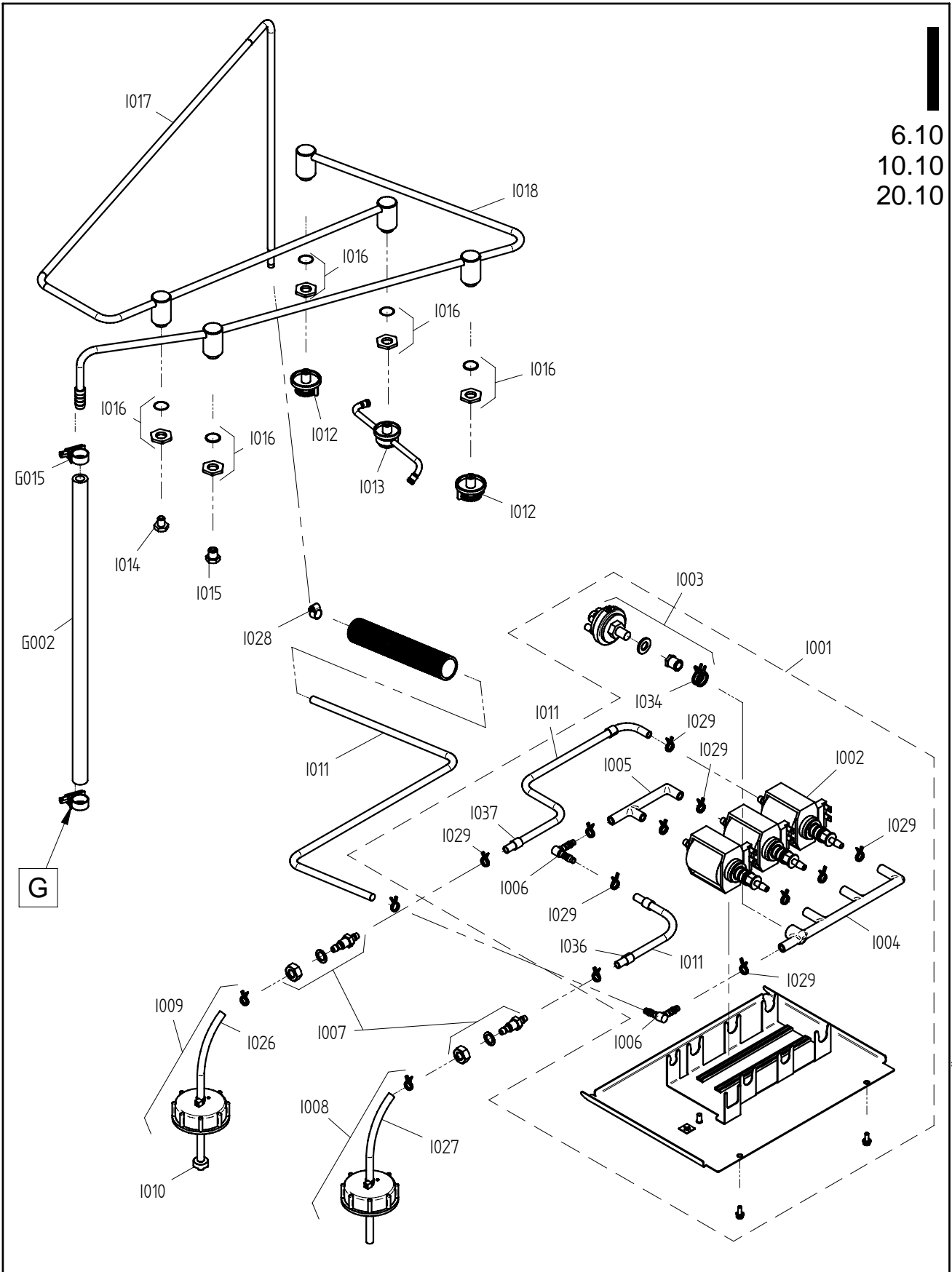




# Ersatzteilzeichnung CONVOClean system P3 Spare part drawing CONVOClean system P3

ETZ I - CC 136 P3 1 / 1

6.10  
10.10  
20.10



Art. Nr. 9825311\_00 | 14.7.2009 | Änderungen vorbehalten! Changes excepted!

gültig ab / valid from:	Vorgängerversion / previous version:
gültig bis / valid to:	Nachfolgeversion / follow-up version:

Enodis  
Talstraße 35  
D- 82436 Eglfing | Germany

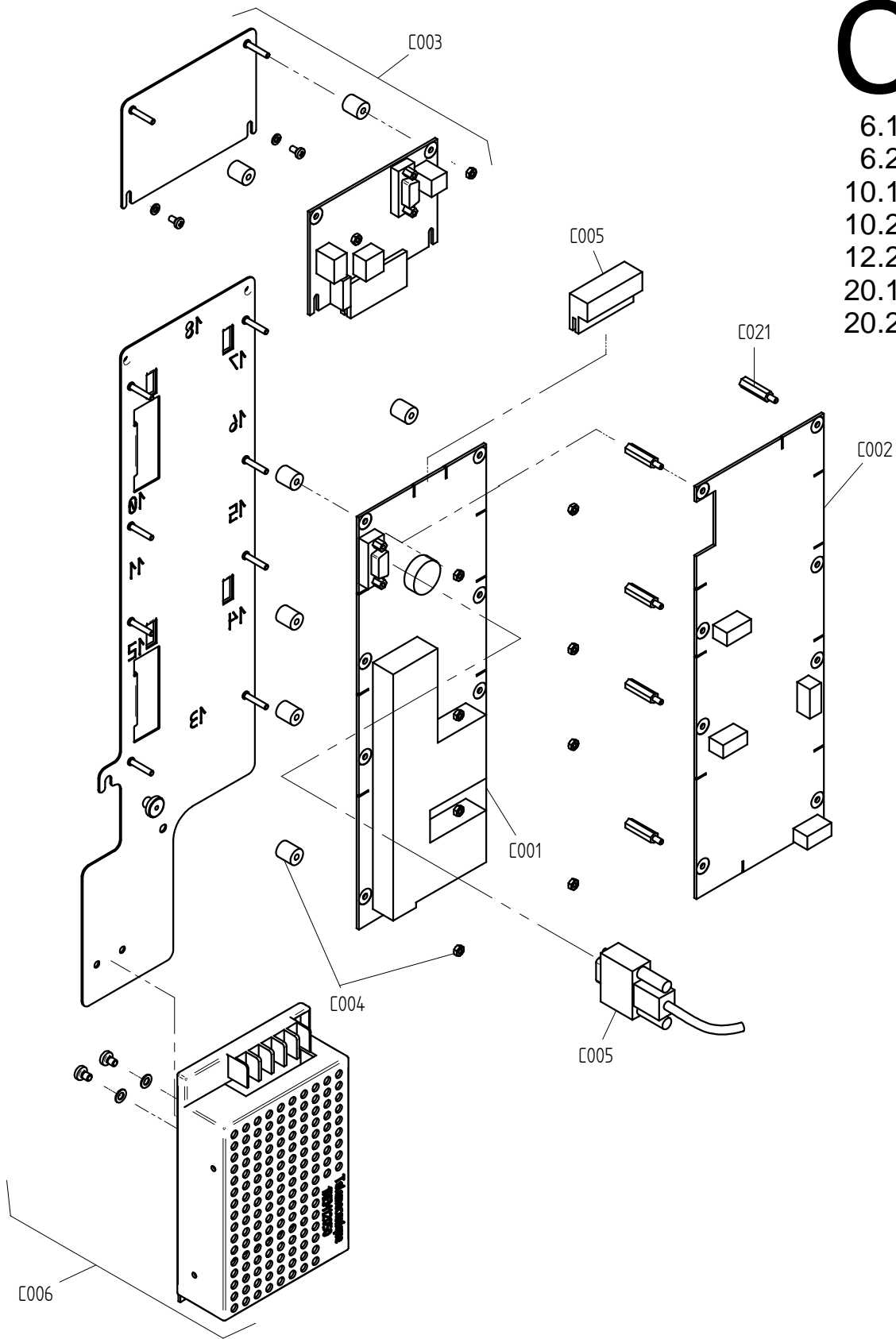
Tel. +49(0)8847/67-0  
Fax +49(0)8847/414  
info@hotairsteamer.com



# Ersatzteilzeichnung Steuerung P3 Spare part drawing control boards P3

ETZ C - SM GM NT kpl P3 1 / 1

**C**  
6.10  
6.20  
10.10  
10.20  
12.20  
20.10  
20.20



Art. Nr. 9825326\_00 | 09.03.2010 | Änderungen vorbehalten! Changes excepted!

gültig ab / valid from: 12.02.2010  
gültig bis / valid to:

Vorgängerversion / previous version: 9825282  
Nachfolgeversion / follow-up version:

Enodis  
Talstraße 35  
D- 82436 Eglfing | Germany

Tel. +49(0)8847/67-0  
Fax +49(0)8847/414  
info@hotairsteamer.com



A001	- 2117416	- Left side panel 20.10 P3
A002	- 2117456	- Rear panel OGB 20.10
A003	- 2115446	- Front section 20.10 P3
A004	- 2114636	- Rear left corner section 20.10/20.20 P3
A005	- 2115466	- Cover OGB 20.10
A006	- 2119229	- Condenser cover OGB 6.10/10.10/20.10 P3
A007	- 2618779	- 230V 25W light bulb set with seal
A008	- 2618780	- Oven-compartment light set including reflector
A009	- 7011003	- Door hygienic plug-in gasket 20.10 P3
A010	- 2218111	- Suction panel OEB/OGB 20.10
A012	- 3315244	- Handle for loading trolley 20.10 P3
A013	- 5013001	- Multipoint core temperature sensor with screw connection P3
A014	- 6015026	- Seal for core temperature sensor P3
A015	- 2004035	- Cable holder for core temperature sensor
A016	- 2608962	- Low pressure cutout P3
A017	- 2216090	- Secondary fan P3 with fixing accessories
A018	- 5018040	- Secondary fan P3
A019	- 6014042	- Appliance foot for P3 free-standing appliances, adjustable height
A020	- 2115479	- Left wheel-in rail 20.10 P3
A021	- 2115478	- Right wheel-in rail 20.10 P3
A022	- 6014051	- Fixed castor for loading trolley P3
A023	- 6014052	- Swivel castor for loading trolley with brake function P3
A024	- 3015000	- Condensate collecting tray for loading trolley 20.10 P3
A025	- 2004234	- Wheel-in ramp for loading trolley P3
A029	- 7003066	- Gasket 9x3mm
A030	- 5016001K	- Cable gland M25
A031	- 6005068	- 44x5 mm seal for low pressure cutout P3
A032	- 6005427	- Grommet, diameter 83 (DG 60)
B001	- 2520416	- Door assembly 20.10 P3
B003	- 2525040	- Door handle P3 Hygienic antibacterial w.fixing accessories
B004	- 6015249	- Catch for interior door of free-standing appliances P3
B005	- 2014005	- Silicon door clip P3
B006	- 6015200	- Door spacer P3
B009	- 2014007	- Hinge plate for top of door P3
B010	- 2014003	- Hinge plate for bottom of door P3
B012	- 2614804	- Slide panel assembly for disappearing door 20.10/20.20 P3
B013	- 2123274	- Slide panel cover for disappearing door 20.10/20.20 P3
B014	- 2619152	- Catch block on slide panel for disappearing door P3 with fixing accessories
B015	- 2523667	- Top and bottom hinge arm P3 with fixing accessories
B016	- 2619141	- Guide roller for disappearing door P3 with fixing accessories
B017	- 2619156	- Retaining block for disappearing door P3 with fixing accessories
B018	- 2619153	- Door stop for disappearing door P3 with fixing accessories
B019	- 2619154	- Support bar for disappearing door P3 with fixing accessories
B020	- 2619140	- Guide rail for disappearing door 6.20/10.20/12.20/20.20 P3 with fix.access.
B021	- 2619155	- Guide strip for disappearing door P3 with fixing accessories
B022	- 2117280	- Buffer for disappearing door P3 with fixing accessories
B023	- 2614750	- Guide fixing bracket for door on free-standing appliances P3
B024	- 2216070	- Door catch block P3 with fixing accessories
B025	- 2518798	- Door contact switch OES mini
B026	- 2514386	- Channel for crosswise door gasket 20.10 P3
B027	- 7011000	- Crosswise door gasket 20.10 P3
B028	- 6015204	- Brace for door on free-standing appliances P3
B029	- 6015201	- Door spacer pin P3
B030	- 2619147	- slide panel 20.10 P3 including guide rail and fixing accessories
B033	- 6002056	- Plastic plug for door latch
C001	- 5019406	- 5010 controller for SM control module P3
C002	- 5019402	- 5010 controller for GM gas module P3
C004	- 2618785	- Fixing accessories for controller P2 P3 OES mini
C005	- 5009304	- Connecting cable between control module and operating module P2 P3
C005	- 5019322	- Data cable between easyTOUCH operating module and control module P3
C006	- 2619973	- Retrofit kit for supply module (P2, P3, OES mini)
C007	- 2126353	- 7010 controller for easyTOUCH LED operating module P3 and OES mini
C009	- 2126350	- easyTOUCH LED "CONVOTHERM" front panel OEB/OGB
C013	- 6016521	- Plug-in cover for USB port easyTOUCH
C015	- 2119918	- easyTOUCH main switch with fixing accessories
C017	- 5019323	- Power cable for easyTOUCH operating module
C018	- 5019327	- Loudspeaker for 7000 controller easyTOUCH
C019	- 4008099	- Memory card for easyTOUCH operating module
C020	- 2119921	- USB port for 7000 controller easyTOUCH with fixing accessories
C021	- 8014000	- Spacer pin M3 20 mm
D001	- 2317313	- Steamgenerator assembly OGB 10.20/20.10/20.20 exc.burner unit,fixg.access.
D002	- 6015023	- Gasket for immersion heater P3
D005	- 5008079K	- Steam-generator emptying pump 200/240V with fixing accessories
D006	- 6015100K	- Right-angle drain pipe for steam generator P3 with fixing accessories

D007 - 7012018 - Steam-generator downpipe P3  
 D008 - 6016500 - Return-flow protection for steam generator P3  
 D009 - 7012086 - 1/2" pipe for filling the steam generator P3  
 D010 - 5019000K - Dual-level sensor P3 with fixing accessories  
 D011 - 6015040 - Gasket for dual-level sensor P3  
 D012 - 6015207 - Hexagonal nut R1 1/2" for steam-generator screw coupling  
 D013 - 5016003 - Thermal-cutout thermocouple for gas steam generator P3  
 D014 - 5019004 - Thermal cutout for gas steam generator P3 (135°C)  
 D015 - 2314968K - Inspection flange for gas steam generator P3 with fixing accessories  
 D016 - 2314974K - Inspection flange for gas steam generator, threaded, P3 with fixing access.  
 D017 - 2012212 - Gas flue pipe for steam generator OGB 20.10/20.20 insulated  
 D024 - 6015022 - Gasket 60x48.5x2 (1 1/2") for steam generator P3  
 D025 - 8009057 - Wire clip 36 mm  
 E001 - 2617286 - Motor 6.10/6.20/10.10/20.10 P3 all voltages  
 E002 - 2617294 - Set of fixing parts for motor and fan P3  
 E003 - 2617295 - Set of seals for motor shaft P3  
 E004 - 2625109 - Set of motor pins P3  
 E005 - 2619958 - Fan wheel, diameter 350 mm P3  
 E006 - 2617293 - Set of fan fixing parts P3  
 E011 - 5001041 - Oven thermal cutout (340°C)  
 E012 - 5016014K - Thermocouple sensor P3 / OES mini  
 E013 - 2623208 - ConvectorexchangerOGS20.10 ex. burner unit, with fixing accessories  
 E014 - 2012205 - Gas flue pipe for convector OGS/OGB 20.10 insulated  
 F001 - 2625982 - Burnerunit assembly for convectorOGS/OGB10.10/20.10with fixing accessories  
 F002 - 5018001 - Burner fan RG148 230V P3  
 F002 - 5018000 - Burner fan RG128 230V P3  
 F003 - 6016000 - Venturi 40kW P3  
 F003 - 6016001 - Venturi 56kW P3  
 F004 - 6016010 - Gas valve 230V P3  
 F005 - 6016021 - Automatic firing device 230V (S4575B 3066)  
 F006 - 2010014 - Burner Ø50M150 20kW P3  
 F006 - 2010015 - Burner Ø63M210 40kW P3  
 F007 - 2617320 - Monitoring electrode OGS/OGB with fixing accessories  
 F008 - 2617321 - Incandescence ignition electrode, short, OGS/OGB with fixing accessories  
 F008 - 2617322 - Incandescence ignition electrode, long, OGS/OGB with fixing accessories  
 F009 - 2617323 - Burner inspection window P3 with fixing accessories  
 F010 - 2625120 - Burner cable gland with seal OGS/OGB  
 F011 - 2625121 - Gas pipe connecting bracket P3 with fixing accessories  
 F012 - 2616517 - Gas pipe 780mm long P3 with fixing accessories  
 F012 - 2616518 - Gas pipe 1550mm long P3 with fixing accessories  
 F012 - 2616516 - Gas pipe 580mm long P3 with fixing accessories  
 F013 - 2618162 - Set of gaskets for burner 30-40kW P3  
 F013 - 2618161 - Set of gaskets for burner 12-20kW P3  
 F014 - 2615313 - Butane-propane gas conversion set G30/G31 P3  
 F014 - 2615315 - LPG P gas conversion set (Japan) P3  
 F014 - 2615312 - Natural gas conversion set E/G20 P3  
 F015 - 2618140K - Connector protective sheet f. automatic firing deviceP3with mountg. bracket  
 F016 - 2010070 - Triple gas connection R3/4" P3  
 F017 - 2615346 - Straight air intake pipe for burner P3  
 F017 - 2615343 - Right-angle air intake pipe for burner P3  
 F018 - 2625986 - Burner-unit assembly for steam generator OGB 20.10 with fixing accessories  
 G001 - 5001059 - Single solenoid valve, straight 220/240V  
 G001 - 5011000 - Triple solenoid valve, straight 220/240V  
 G002 - 7002033 - Hot water pipe 3/8"  
 G003 - 5011003 - Water supply T-connector 2x3/4" 1x1/2" P3  
 G004 - 2013002 - Dehumidifier nozzle P3  
 G005 - 2216796 - Demoisturising tray cover P3  
 G006 - 6015215 - Right-angle pipe connector 3/8" with washer  
 G007 - 2016113 - Pipeline for hand-shower connection 20.10/20.20 P3  
 G008 - 6014003 - Angle valve for hand shower 1/2" P3  
 G009 - 6014006 - Rotary cap for angle valve 1/2" P3  
 G010 - 7012073 - Hand-shower hose 20.10/20.20 P3  
 G011 - 6005005 - Hand-shower hose, free-standing appliances P3  
 G012 - 2002042 - Hand-shower holder, free-standing appliances P3  
 G015 - 6006086 - Hose clip 12-22mm  
 G016 - 6006087 - Hose clip 25-40mm  
 G017 - 6006089 - Hose clip 40-60mm  
 G043 - 6015030 - Gasket chimney HL 6.10/6.20/10.10/20.10 P3  
 H001 - 2012110K - Condenser for free-standing appliances P3 with fixing accessories  
 H002 - 6015000 - Condenser seal P3  
 H003 - 2425112 - Fixing parts for condenser P3  
 H006 - 2016007K - Bypass measuring pipe P3 with fixing accessories  
 H007 - 2016005K - Bypass pipe 20.10 P3 with fixing accessories  
 H008 - 2217281 - Bypass cover P3 with fixing accessories  
 H009 - 2012103 - Condenser quenching nozzle P3

H010 - 7012005 - Air outlet tube OEB/OGB 20.20 bottom P3  
H010 - 7012009 - Air outlet tube OGB 20.10 bottom P3  
H011 - 2124581K - Air-outlet pipe end20.10/20.20/OES/OGS6.10/6.20/10.10/10.20 +fix.access.  
H012 - 2114301K - Air-outlet pipe center OEB/OGB 20.10/20.20 with fixing accessories  
H015 - 4007087 - Heat-resistant cable tie, 140x3.6mm  
I001 - 2114508 - Floor cover panel for appliances without CONVOClean system P3  
I001 - 2617250 - Cleaner pump unit 230V free-standing appliances P3  
I002 - 5018028 - Cleaner pump CONVOClean system P3 / OES mini  
I003 - 2619149 - Pressure switch CONVOClean system 12.20/20.10/20.20 P3  
I004 - 6014000 - 3-way pipe connector CONVOClean system P3  
I005 - 6014001 - 2-way pipe connector CONVOClean system cleaner P3  
I006 - 6005414 - Right-angle pipe connector 6mm  
I007 - 2619150 - Partition screw connection CONVOClean system P3 / OES mini, 2 off  
I008 - 2617594 - Suction pipe, ConvoClean with suction lance P3  
I009 - 2617598 - Suction pipe ,ConvoCare with suction lance P3  
I010 - 3007061 - Dirt filter for CONVOCare P3 / OES mini  
I011 - 7012302 - EPDM pipe 6x2mm  
I012 - 2611010 - Sprinkler nozzle, CONVOClean system P3 / OES mini  
I013 - 2611184 - Armature nozzle, CONVOClean system P3  
I014 - 2623282 - Set of cleaning nozzles, CONVOClean system P3 / OES mini  
I015 - 6005413 - Water nozzle, CONVOClean system P3  
I016 - 2625117 - Screw connection for pipes on cover (sealing washer and nut)  
I017 - 2016122 - Cleaner pipe, CONVOClean system 20.10 P3  
I018 - 2016020 - Water pipe, CONVOClean system 6.10/10.10/20.10 P3  
I028 - 6006122 - Hose clip 7-11mm  
I029 - 8009058 - Wire clip 10mm  
I032 - 6019100 - Adhesive label, cleaner connection P3  
I034 - 8019010 - Wire clip 16 mm  
I036 - 6019109 - CONVOClean adhesive label  
I037 - 6019111 - CONVOCare adhesive label  
K002 - 5018027K - Fan safety grill 120 mm, with fixing accessories  
L004 - 7004008 - Loctite type 243e threadlocker  
L005 - 7004013 - Threadlocker  
L006 - 7004020 - Silicon adhesive E 43  
L007 - 7014005 - Copper paste  
L009 - 7014004 - Aluminum insulating adhesive tape P3  
L010 - 7015200 - Fan removal tool P3 with accessories  
L011 - 7004018 - OKS 1120 lubricant

A001	- 2117416	- Seitenwand links 20.10 P3
A002	- 2117456	- Rückwand OGB 20.10
A003	- 2115446	- Frontteil 20.10 P3
A004	- 2114636	- Eckteil hinten links 20.10/20.20 P3
A005	- 2115466	- Decke OGB 20.10
A006	- 2119229	- Abdeckung Kondensator OGB 6.10/10.10/20.10 P3
A007	- 2618779	- Set Glühlampe 230V 25W mit Dichtung
A008	- 2618780	- Set Garraumleuchte komplett mit Reflektor
A009	- 7011003	- Hygienesteckdichtung Tür 20.10 P3
A010	- 2218111	- Ansaugblech OEB/OGB 20.10
A012	- 3315244	- Griff für Beschickungswagen 20.10 P3
A013	- 5013001	- Mehrpunkt-Kerntemperaturfühler mit Verschraubung P3
A014	- 6015026	- Dichtung für Kerntemperaturfühler P3
A015	- 2004035	- Halterung für Kerntemperaturfühlerkabel
A016	- 2608962	- Unterdrucksicherung P3
A017	- 2216090	- Zusatzlüfter P3 mit Montagematerial
A018	- 5018040	- Zusatzlüfter P3
A019	- 6014042	- Gerätefuß für P3 Standgeräte, höhenverstellbar
A020	- 2115479	- Einfahrschiene links 20.10 P3
A021	- 2115478	- Einfahrschiene rechts 20.10 P3
A022	- 6014051	- Bockrolle für Beschickungswagen P3
A023	- 6014052	- Lenkrolle für Beschickungswagen mit Stoppfunktion P3
A024	- 3015000	- Kondensatauffangwanne Beschickungswagen 20.10 P3
A025	- 2004234	- Einfahrkeil für Beschickungswagen P3
A029	- 7003066	- Dichtungsband 9x3mm
A030	- 5016001K	- Kabelverschraubung M25
A031	- 6005068	- Dichtung 44x5 mm für Unterdrucksicherung P3
A032	- 6005427	- Membrantülle Durchm. 83 (DG 60)
B001	- 2520416	- Tür 20.10 kompl. P3
B003	- 2525040	- Türgriff P3 Hygienisch Antibakteriel m.Montageteile
B004	- 6015249	- Verschlussklammer Innentür Standgeräte P3
B005	- 2014005	- Silikonfeder Tür P3
B006	- 6015200	- Abstandhalter Tür P3
B009	- 2014007	- Scharnierplatte für Türoberseite P3
B010	- 2014003	- Scharnier-Rastplatte für Türunterseite P3
B012	- 2614804	- Schlittenplatte Verschwindetür 20.10/20.20 kompl. P3
B013	- 2123274	- Verkleidung SchlittenplatteVerschwindetür 20.10/20.20 P3
B014	- 2619152	- Rasterklotz Schlittenplatte Verschwindetür P3 mit Montagematerial
B015	- 2523667	- Scharnierarm oben und unten P3 mit Montagematerial
B016	- 2619141	- Führungsrolle Verschwindetür P3 mit Montagematerial
B017	- 2619156	- Sicherungsklotz Verschwindetür P3 mit Montagematerial
B018	- 2619153	- Türanschlag Verschwindetür P3 mit Montagematerial
B019	- 2619154	- Stützleiste Verschwindetür P3 mit Montagematerial
B020	- 2619140	- Führungsschiene Verschwindetür6.20/10.20/12.20/20.20P3 mit Montagematerial
B021	- 2619155	- Führungsleiste Verschwindetür P3 mit Montagematerial
B022	- 2117280	- Anschlagpuffer Verschwindetür P3 mit Montagematerial
B023	- 2614750	- Führungsbügel Tür Standgeräte P3
B024	- 2216070	- Türkloben P3 mit Montagematerial
B025	- 2518798	- Türkontaktschalter OES mini
B026	- 2514386	- Trägerprofil für Querdichtung Tür 20.10 P3
B027	- 7011000	- Querdichtung Tür 20.10 P3
B028	- 6015204	- Gegenhalter Tür Standgeräte P3
B029	- 6015201	- Distanzbolzen Tür P3
B030	- 2619147	- Schlittenplatte 20.10 P3 mit Führungsschiene und Montagematerial
B033	- 6002056	- Abdeckkappe für Drehhebelverschluß
C001	- 5019406	- Steuerung 5010 Steuermodul SM P3
C002	- 5019402	- Steuerung 5010 Gasmodul GM P3
C004	- 2618785	- Montagezubehör für Steuerung P2 P3 OES mini
C005	- 5019322	- Datenkabel Bedienmodul easyTOUCH - Steuermodul P3
C005	- 5009304	- Verbindungskabel Steuermodul - Bedienmodul P2 P3
C006	- 2619973	- Nachrüstset Versorgungsmodul (P2, P3, OES mini)
C007	- 2126353	- Steuerung 7010 Bedienmodul easyTOUCH LED P3 und OES mini
C009	- 2126350	- Frontblende OEB/OGB easyTOUCH LED "CONVOTHERM"
C013	- 6016521	- Verschlussstopfen für USB-Anschluss easyTOUCH
C015	- 2119918	- Hauptschalter easyTOUCH mit Montagematerial
C017	- 5019323	- Versorgungskabel für Bedienmodul easyTOUCH
C018	- 5019327	- Lautsprecher für Steuerung 7000 easyTOUCH
C019	- 4008099	- Speicher-Karte für Bedienmodul easyTOUCH
C020	- 2119921	- USB-Anschluss für Steuerung 7000 easyTOUCH mit Montagematerial
C021	- 8014000	- Abstandsbolzen M3 20 mm
D001	- 2317313	- DampferzeugerOGB10.20/20.10/20.20kompl.ohne Brennerinheit mit Montagemat.
D002	- 6015023	- Flachdichtung für Tauchheizkörper P3
D005	- 5008079K	- Dampferzeuger-Entleerungspumpe 200/240V mit Montagematerial
D006	- 6015100K	- Ablaufwinkel für Dampferzeuger P3 mit Montagematerial

D007 - 7012018 - Dampferzeuger-Ablaufschlauch P3  
 D008 - 6016500 - Rücksaugicherung für Dampferzeuger P3  
 D009 - 7012086 - Schlauch 1/2" für Dampferzeuger-Befüllung P3  
 D010 - 5019000K - Doppelniveausonde mit Montagematerial P3  
 D011 - 6015040 - Dichtung für Doppelniveausonde P3  
 D012 - 6015207 - Sechskantmutter R1 1/2" für Dampferzeugerverschraubung  
 D013 - 5016003 - STB-Thermoelementfühler für Gas Dampferzeuger P3  
 D014 - 5019004 - Sicherheitstemperaturbegrenzer für Gas-Dampferzeuger P3 (135°C)  
 D015 - 2314968K - Inspektionsflansch für Gas-Dampferzeuger P3 mit Montagematerial  
 D016 - 2314974K - Inspektionsflansch für Gas-Dampferzeuger mit GewindeP3 inkl.Montagematerial  
 D017 - 2012212 - Abgasstutzen Dampferzeuger OGB 20.10/20.20 isoliert  
 D024 - 6015022 - Flachdichtung 60x48,5x2 (1 1/2") für Dampferzeuger P3  
 D025 - 8009057 - Drahtschelle 36 mm  
 E001 - 2617286 - Motor 6.10/6.20/10.10/20.10 P3 alle Spannungen  
 E002 - 2617294 - Set Motorbefestigung und Lüfterradbefestigung P3  
 E003 - 2617295 - Set Motorwellendichtung P3  
 E004 - 2625109 - Set Motorbolzen P3  
 E005 - 2619958 - Lüfterrad Durchm. 350 mm P3  
 E006 - 2617293 - Set Lüfterradbefestigung P3  
 E011 - 5001041 - Garraum-Sicherheitstemperaturbegrenzer (340°C)  
 E012 - 5016014K - Thermoelementfühler P3 / OES mini  
 E013 - 2623208 - Heißluft-Wärmetauscher OGS 10.10/20.10 ohne Brenneinheit, mit  
 E014 - 2012205 - Abgasstutzen Heißluft OGS/OGB 20.10 isoliert  
 F001 - 2625982 - Brenneinheit Heißluft OGS/OGB 10.10/20.10 kompl. mit Montagematerial  
 F002 - 5018000 - Brennergebläse RG128 230V P3  
 F002 - 5018001 - Brennergebläse RG148 230V P3  
 F003 - 6016000 - Venturi 40kW P3  
 F003 - 6016001 - Venturi 56kW P3  
 F004 - 6016010 - Gasventil 230V P3  
 F005 - 6016021 - Feuerungsautomat 230V (S4575B 3066)  
 F006 - 2010014 - Brenner Ø50M150 20kW P3  
 F006 - 2010015 - Brenner Ø63M210 40kW P3  
 F007 - 2617320 - Überwachungselektrode OGS/OGB mit Montagematerial  
 F008 - 2617321 - Glühzündelektrode kurz OGS/OGB mit Montagematerial  
 F008 - 2617322 - Glühzündelektrode lang OGS/OGB mit Montagematerial  
 F009 - 2617323 - Schauglas Brenner P3 mit Montagematerial  
 F010 - 2625120 - Kabeldurchführung Brenner mit Dichtung OGS/OGB  
 F011 - 2625121 - Anschlusswinkel Gasschlauch P3 mit Montagematerial  
 F012 - 2616518 - Gasschlauch 1550mm lang P3 mit Montagematerial  
 F012 - 2616516 - Gasschlauch 580mm lang P3 mit Montagematerial  
 F012 - 2616517 - Gasschlauch 780mm lang P3 mit Montagematerial  
 F013 - 2618161 - Dichtungssatz für Brenner 12-20kW P3  
 F013 - 2618162 - Dichtungssatz für Brenner 30-40kW P3  
 F014 - 2615312 - Gas-Umrüstset auf Erdgas E/G20 P3  
 F014 - 2615313 - Gas-Umrüstset auf Butan-Propan G30/G31 P3  
 F014 - 2615315 - Gas-Umrüstset auf LPG P (Japan) P3  
 F015 - 2618140K - Steckerschutzfolie für Feuerungsautomat P3 mit Montagebügel  
 F016 - 2010070 - Dreifachgasanschluß R3/4" P3  
 F017 - 2615346 - Luftansaugstrecke Brenner gerade P3  
 F017 - 2615343 - Luftansaugstrecke Brenner gewinkelt P3  
 F018 - 2625986 - Brenneinheit Dampferzeuger OGB 20.10 kompl. mit Montagematerial  
 G001 - 5001059 - Einfachmagnetventil gerade 220/240V  
 G001 - 5011000 - Dreifachmagnetventil gerade 220/240V  
 G002 - 7002033 - Heisswasserschlauch 3/8"  
 G003 - 5011003 - T-Verbindungsstück WA 2x3/4" 1x1/2" P3  
 G004 - 2013002 - Entfeuchtungsdüse P3  
 G005 - 2216796 - Entfeuchtungswannen-Abdeckung P3  
 G006 - 6015215 - Winkel-Schlauchanschluss 3/8" m. Dichtung  
 G007 - 2016113 - Rohrleitung für Handbrauseanschluss 20.10/20.20 P3  
 G008 - 6014003 - Eckventil für Handbrause 1/2" P3  
 G009 - 6014006 - Drehkappe für Eckventil 1/2" P3  
 G010 - 7012073 - Handbrauseschlauch 20.10/20.20 P3  
 G011 - 6005005 - Handbrause Standgeräte P3  
 G012 - 2002042 - Aufhängung Handbrause Standgeräte P3  
 G015 - 6006086 - Schlauchbinder 12-22mm  
 G016 - 6006087 - Schlauchbinder 25-40mm  
 G017 - 6006089 - Schlauchbinder 40-60mm  
 G043 - 6015030 - Dichtung Kamin HL 6.10/6.20/10.10/20.10 P3  
 H001 - 2012110K - Kondensator Standgeräte P3 mit Montagematerial  
 H002 - 6015000 - Dichtung Kondensator P3  
 H003 - 2425112 - Befestigungsmaterial für Kondensator P3  
 H006 - 2016007K - Bypassmeßrohr P3 mit Montagematerial  
 H007 - 2016005K - Bypassleitung 20.10 P3 mit Montagematerial  
 H008 - 2217281 - Bypassabdeckung P3 mit Montagematerial  
 H009 - 2012103 - Ablöschdüse Kondensator P3

H010 - 7012005 - Abluftschlauch OEB/OGB 20.20 unten P3  
H010 - 7012009 - Abluftschlauch OGB 20.10 unten P3  
H011 - 2124581K - Abluftstutzen20.10/20.20/OES/OGS6.10/6.20/10.10/10.20 mit Montagematerial  
H012 - 2114301K - Abluftrohr mitte OEB/OGB 20.10/20.20 mit Montagematerial  
H015 - 4007087 - Kabelbinder hitzebeständig, 140x3,6mm  
I001 - 2114508 - Bodenabdeckung für Geräte ohne CONVOClean system P3  
I001 - 2617250 - Reinigerpumpeneinheit 230V Standgeräte P3  
I002 - 5018028 - Reinigerpumpe CONVOClean system P3 / OES mini  
I003 - 2619149 - Druckschalter CONVOClean system 12.20/20.10/20.20 P3  
I004 - 6014000 - Schlauchanschluss CONVOClean system 3fach P3  
I005 - 6014001 - Schlauchanschluss CONVOClean system Reiniger 2fach P3  
I006 - 6005414 - Winkel-Schlauchverbindungsstutzen 6mm  
I007 - 2619150 - Schottverschraubung CONVOClean system P3 / OES mini, 2 Stück  
I008 - 2617594 - Saugschlauch ConvoClean mit Ansauglanze P3  
I009 - 2617598 - Saugschlauch ConvoCare mit Ansauglanze P3  
I010 - 3007061 - Schmutzsieb für CONVOCare P3 / OES mini  
I011 - 7012302 - EPDM-Schlauch 6x2mm  
I012 - 2611010 - Sprinklerdüse CONVOClean system P3 / OES mini  
I013 - 2611184 - Rotordüse CONVOClean system P3  
I014 - 2623282 - Set Reinigerdüsen CONVOClean system P3 / OES mini  
I015 - 6005413 - Wasserdüse CONVOClean system P3  
I016 - 2625117 - Verschraubung für Rohrleitungen an Decke (Dichtung und Mutter)  
I017 - 2016122 - Rohrleitung Reiniger CONVOClean system 20.10 P3  
I018 - 2016020 - Rohrleitung Wasser CONVOClean system 6.10/10.10/20.10 P3  
I028 - 6006122 - Schlauchbinder 7-11mm  
I029 - 8009058 - Drahtschelle 10mm  
I032 - 6019100 - Aufkleber Reinigeranschluss P3  
I034 - 8019010 - Drahtschelle 16 mm  
I036 - 6019109 - Kennzeichnungsaufkleber CONVOClean  
I037 - 6019111 - Kennzeichnungsaufkleber CONVOCare  
K002 - 5018027K - Lüfterschutzgitter 120 mm mit Montagematerial  
L004 - 7004008 - Sicherungsmittel Loctite Typ 243e  
L005 - 7004013 - Schraubensicherungslack  
L006 - 7004020 - Silikonkleber E 43  
L007 - 7014005 - Kupferpaste  
L009 - 7014004 - Alu-Klebeband für Isolierung P3  
L010 - 7015200 - Abzieher für Lüfterrad P3 mit Zubehör  
L011 - 7004018 - Schmiermittel OKS 1120



A001	- 2117416	- Paroi latérale gauche 20.10 P3
A002	- 2117456	- Panneau arrière OGB 20.10
A003	- 2115446	- Partie avant 20.10 P3
A004	- 2114636	- Angle arrière gauche 20.10/20.20 P3
A005	- 2115466	- Plafond OGB 20.10
A006	- 2119229	- Capot condenseur OGB 6.10/10.10/20.10 P3
A007	- 2618779	- Kit lampe à incandescence 230V 25W avec joint
A008	- 2618780	- Kit voyant d'enceinte de cuisson complet avec réflecteur
A009	- 7011003	- Joint d'étanchéité emboité porte 20.10 P3
A010	- 2218111	- Tôle d'aspiration OEB/OGB 20.10
A012	- 3315244	- Poignée pour chariot d'enfournement 20.10 P3
A013	- 5013001	- Capteur de température à cœur multipoint avec presse-étoupe P3
A014	- 6015026	- Joint pour capteur de température à cœur P3
A015	- 2004035	- Support pour câble du capteur de température à cœur
A016	- 2608962	- Limiteur de dépression P3
A017	- 2216090	- Ventilateur d'appoint P3 avec sujétions de montage
A018	- 5018040	- Ventilateur d'appoint P3
A019	- 6014042	- Pied d'appareil pour appareils sur pieds P3, réglable en hauteur
A020	- 2115479	- Rail gauche 20.10 P3
A021	- 2115478	- Rail droit 20.10 P3
A022	- 6014051	- Roulette pour chariot d'enfournement P3
A023	- 6014052	- Roulette orientable pour chariot d'enfournement avec fonction arrêt P3
A024	- 3015000	- Bac de collecte condensation chariot d'enfournement 20.10 P3
A025	- 2004234	- Tasseau de centrage du chariot d'enfournement P3
A029	- 7003066	- Joint-ruban 9x3 mm
A030	- 5016001K	- Presse-étoupe M25
A031	- 6005068	- Joint 44x5 mm pour limiteur de dépression P3
A032	- 6005427	- Diam. passe-tube 83 (DG 60)
B001	- 2520416	- Porte 20.10 compl. P3
B003	- 2525040	- Poignée de porte P3 avec sujétions de montage
B004	- 6015249	- Loquet de fermeture porte intérieure appareils sur pieds P3
B005	- 2014005	- Amortisseur silicone porte P3
B006	- 6015200	- Ecarteur porte P3
B009	- 2014007	- Plaque de charnière pour face supérieure porte P3
B010	- 2014003	- Plaque de charnière à encliqueter pour face inférieure porte P3
B012	- 2614804	- Plaque glissière porte escamotable 20.10/20.20 compl. P3
B013	- 2123274	- Habillage plaque glissière porte escamotable 20.10/20.20 P3
B014	- 2619152	- Cale d'encliquetage plaque glissière porte escamot.P3 +sujétions de montage
B015	- 2523667	- Bras de charnière haut et bas P3 avec sujétions de montage
B016	- 2619141	- Galet de guidage porte escamotable P3 avec sujétions de montage
B017	- 2619156	- Cale de sécurité Porte escamotable P3 avec sujétions de montage
B018	- 2619153	- Butée de porte Porte escamotable P3 avec sujétions de montage
B019	- 2619154	- Baguette d'appui Porte escamotable P3 avec sujétions de montage
B020	- 2619140	- Rail de guidage Porte escamot.6.20/10.20/12.20/20.20P3 +sujétions de mont.
B021	- 2619155	- Barrette de guidage Porte escamotable P3 avec sujétions de montage
B022	- 2117280	- Tampon de butée Porte escamotable P3 avec sujétions de montage
B023	- 2614750	- Etrier de guidage Porte Appareils sur pieds P3
B024	- 2216070	- Gâche de porte P3 avec sujétions de montage
B025	- 2518798	- Contact porte OES mini
B026	- 2514386	- Profilé dormant pour joint transversal Porte 20.10 P3
B027	- 7011000	- Joint transversal Porte 20.10 P3
B028	- 6015204	- Contre-support Porte Appareils sur pieds P3
B029	- 6015201	- Boulon entretoise Porte P3
B030	- 2619147	- plaque glissière 20.10 P3 avec rail de guidage et sujétions de mont.
B033	- 6002056	- Chape pour poignée béquille
C001	- 5019406	- Commande 5010 Module de commande SM P3
C002	- 5019402	- Commande 5010 Module à gaz GM P3
C004	- 2618785	- Accessoires de montage pour commande P2 P3 OES mini
C005	- 5009304	- Câble de liaison Module de commande - Module de service P2 P3
C005	- 5019322	- Câble de données Module de service easyTOUCH - Module de commande P3
C006	- 2619973	- Kit d'adaptation Module d'alimentation (P2, P3, OES mini)
C007	- 2126353	- Commande 7010 Module de service easyTOUCH LED P3 et OES mini
C009	- 2126350	- Face avant OEB/OGB easyTOUCH LED "CONVOTHERM"
C013	- 6016521	- Clapet de fermeture pour connexion USB easyTOUCH
C015	- 2119918	- Interrupteur général easyTOUCH avec accessoires de montage
C017	- 5019323	- Câble d'alimentation pour module de service easyTOUCH
C018	- 5019327	- Haut-parleur pour commande 7000 easyTOUCH
C019	- 4008099	- Carte mémoire pour module de service easyTOUCH
C020	- 2119921	- Connexion USB pour commande 7000 easyTOUCH avec accessoires de montage
C021	- 8014000	- Boulon entretoise M3 20 mm
D001	- 2317313	- GénérateurvapeurOGB10.20/20.10/20.20compl.sans unité brûl.,access.de mont.
D002	- 6015023	- Joint plat pour élément chauffant plongeur P3
D005	- 5008079K	- Pompe de vidange du générateur de vap.200/240V avec accessoires de montage
D006	- 6015100K	- Cornière d'écoulement pour générateur de vapeurP3 avec accessoires de mont.

D007 - 7012018 - Tuyau d'écoulement pour générateur de vapeur P3  
 D008 - 6016500 - Sécurité anti-retour d'eau par siphonage, pour générateur de vapeur P3  
 D009 - 7012086 - Tuyau 1/2" pour remplissage du générateur de vapeur P3  
 D010 - 5019000K - Capteur double niveau avec accessoires de montage P3  
 D011 - 6015040 - Joint pour capteur double niveau P3  
 D012 - 6015207 - Ecrou hexagonal R1 1/2" pour raccord du générateur de vapeur  
 D013 - 5016003 - Capteur thermocouple LTS pour générateur de vapeur GAS P3  
 D014 - 5019004 - Limiteur de temp. de sécurité pour générateur de vapeur à gaz P3 (135 °C)  
 D015 - 2314968K - Bride de contrôle p. générateur de vap.à gaz P3 avec access. de montage  
 D016 - 2314974K - Bride de contrôle p.générateur de vap.à gaz +filetage P3 +access.montage  
 D017 - 2012212 - Conduite d'échappement générateur de vapeur OGB 20.10/20.20 isolé  
 D024 - 6015022 - Joint plat 60x48,5x2 (1 1/2") pour générateur de vapeur P3  
 D025 - 8009057 - Collier de câble 36 mm  
 E001 - 2617286 - Moteur 6.10/6.20/10.10/20.10 P3 toutes tensions  
 E002 - 2617294 - Kit fixation moteur et fixation ventilateur P3  
 E003 - 2617295 - Kit garniture d'arbre moteur P3  
 E004 - 2625109 - Jeu de boulons moteur P3  
 E005 - 2619958 - Diam. ventilateur 350 mm P3  
 E006 - 2617293 - Kit fixation ventilateur P3  
 E011 - 5001041 - Limiteur de température de sécurité de l'enceinte de cuisson (340°C)  
 E012 - 5016014K - Capteur thermocouple P3 / OES mini  
 E013 - 2623208 - Echangeur thermique air pulsé OGS20.10 ss unité brûleur,+ access.de montage  
 E014 - 2012205 - Conduite d'échappement d'air pulsé OGS/OGB 20.10 isolée  
 F001 - 2625982 - Unité brûleur air pulsé OGS/OGB 10.10/20.10 compl. +accessoires de montage  
 F002 - 5018001 - Ventilateur brûleur RG148 230V P3  
 F002 - 5018000 - Ventilateur brûleur RG128 230V P3  
 F003 - 6016000 - Venturi 40 kW P3  
 F003 - 6016001 - Venturi 56 kW P3  
 F004 - 6016010 - Vanne gaz 230V P3  
 F005 - 6016021 - Automatisation d'allumage 230V (S4575B 3066)  
 F006 - 2010015 - Brûleur Ø63M210 40 kW P3  
 F006 - 2010014 - Brûleur Ø50M150 20 kW P3  
 F007 - 2617320 - Electrode de surveillance OGS/OGB avec accessoires de montage  
 F008 - 2617321 - Electrode d'auto-allumage courte OGS/OGB avec accessoires de montage  
 F008 - 2617322 - Electrode d'auto-allumage longue OGS/OGB avec accessoires de montage  
 F009 - 2617323 - Voyant brûleur P3 avec accessoires de montage  
 F010 - 2625120 - Passe-fil brûleur avec joint OGS/OGB  
 F011 - 2625121 - Coude de raccordement tuyau gaz P3 avec accessoires de montage  
 F012 - 2616516 - Tuyau de gaz longueur 580 mm P3 avec accessoires de montage  
 F012 - 2616517 - Tuyau de gaz longueur 780 mm P3 avec accessoires de montage  
 F012 - 2616518 - Tuyau de gaz longueur 1 550 mm P3 avec accessoires de montage  
 F013 - 2618161 - Garniture d'étanchéité pour brûleur 12-20 kW P3  
 F013 - 2618162 - Garniture d'étanchéité pour brûleur 30-40 kW P3  
 F014 - 2615313 - Kit d'adaptation gaz à butane-propane G30/G31 P3  
 F014 - 2615315 - Kit d'adaptation gaz à GPL P (Japon) P3  
 F014 - 2615312 - Kit d'adaptation gaz à gaz naturel E/G20 P3  
 F015 - 2618140K - Film de protec.de connecteur p.automatisme d'allumageP3 +étrier de montage  
 F016 - 2010070 - Raccordement gaz triple R3/4" P3  
 F017 - 2615346 - Tube d'admission d'air brûleur droit P3  
 F017 - 2615343 - Tube d'admission d'air brûleur coudé P3  
 F018 - 2625986 - Unité brûleur Générateur vapeurOGB20.10 compl. avec accessoires de montage  
 G001 - 5011000 - Electrovanne triple droite 220/240V  
 G001 - 5001059 - Electrovanne simple droite 220/240V  
 G002 - 7002033 - Tuyau d'eau chaude 3/8"  
 G003 - 5011003 - Raccord en T alimentation eau 2x3/4" 1x1/2" P3  
 G004 - 2013002 - Buse de déshumidification P3  
 G005 - 2216796 - Couvercle pour bacs de déshumidification P3  
 G006 - 6015215 - Raccord coudé pour tuyau 3/8" avec joint  
 G007 - 2016113 - Tuyau pour raccordement douchette 20.10/20.20 P3  
 G008 - 6014003 - Vanne d'angle pour douchette 1/2" P3  
 G009 - 6014006 - Capot pivotant pour vanne d'angle 1/2" P3  
 G010 - 7012073 - Tuyau pour douchette 20.10/20.20 P3  
 G011 - 6005005 - Douchette appareils sur pieds P3  
 G012 - 2002042 - Accroche douchette appareils sur pieds P3  
 G015 - 6006086 - Collier de tube 12-22 mm  
 G016 - 6006087 - Collier de tube 25-40 mm  
 G017 - 6006089 - Collier de tube 40-60 mm  
 G043 - 6015030 - Joint cheminée HL 6.10/6.20/10.10/20.10 P3  
 H001 - 2012110K - Condenseur appareils sur pieds P3 avec accessoires de montage  
 H002 - 6015000 - Joint condenseur P3  
 H003 - 2425112 - Matériel de fixation pour condenseur P3  
 H006 - 2016007K - Tube de mesurage en dérivation P3 avec accessoires de montage  
 H007 - 2016005K - Ligne de dérivation 20.10 P3 avec accessoires de montage  
 H008 - 2217281 - Capot pour dérivation P3 avec accessoires de montage  
 H009 - 2012103 - Buse d'extinction condenseur P3

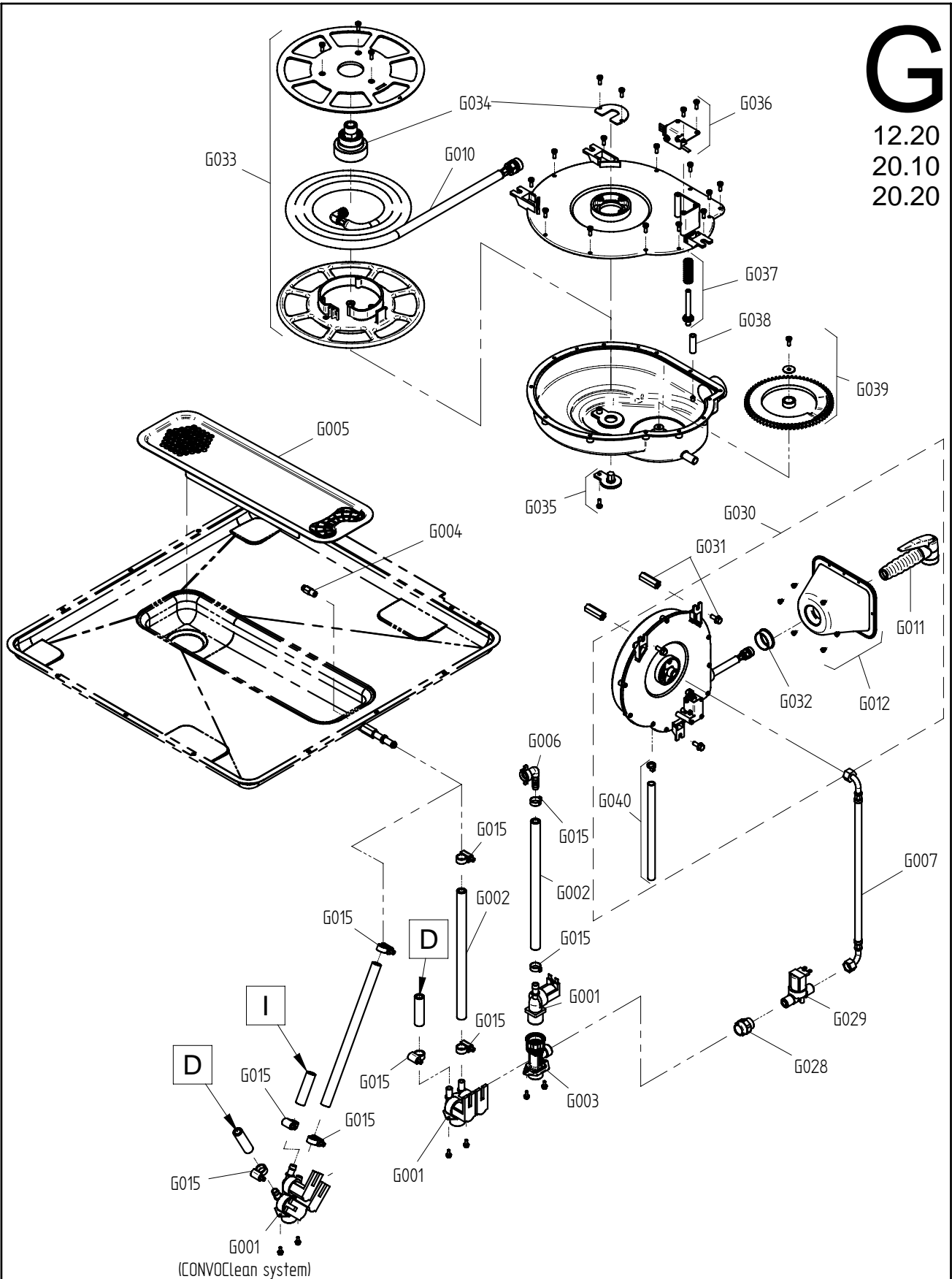
H010 - 7012009 - Tuyau d'extraction d'air OGB 20.10 en bas P3  
H010 - 7012005 - Tuyau d'extraction d'air OEB/OGB 20.20 en bas P3  
H011 - 2124581K - Manchon d'évac.d'air20.10/20.20/OES/OGS6.10/6.20/10.10/10.20 +access.mont.  
H012 - 2114301K - Tuyau d'évacuation d'air milieuOEB/OGB 20.10/20.20 +accessoires de montage  
H015 - 4007087 - Collier de câble résistant à la chaleur, 140x3,6mm  
I001 - 2617250 - Unité pompe à nettoyant 230V appareils sur pieds P3  
I001 - 2114508 - Couvre-sol pour appareils sans système CONVOClean P3  
I002 - 6018028 - Pompe à nettoyant système CONVOClean P3 / OES mini  
I003 - 2619149 - Pressostat système CONVOClean 12.20/20.10/20.20 P3  
I004 - 6014000 - Raccord pour tuyau système CONVOClean triple P3  
I005 - 6014001 - Raccord pour tuyau Nettoyant système CONVOClean double P3  
I006 - 6005414 - Manchon de raccordement de tube, coudé 6 mm  
I007 - 2619150 - Traversée de cloison système CONVOClean P3 / OES mini, 2 unités  
I008 - 2617594 - Tuyau d'aspiration ConvoClean avec lance d'aspiration P3  
I009 - 2617598 - Tuyau d'aspiration ConvoClean avec lance d'aspiration P3  
I010 - 3007061 - Crépine à impuretés pour CONVOCare P3 / OES mini  
I011 - 7012302 - Tuyau EPDM 6x2 mm  
I012 - 2611010 - Bec d'arroseur système CONVOClean P3 / OES mini  
I013 - 2611184 - Buse du rotor système CONVOClean P3  
I014 - 2623282 - Kit buses de nettoyage système CONVOClean P3 / OES mini  
I015 - 6005413 - Buse à eau système CONVOClean P3  
I016 - 2625117 - Raccord pour tuyaux au plafond (joint et écrou)  
I017 - 2016122 - Tuyau de nettoyant système CONVOClean 20.10 P3  
I018 - 2016020 - Tuyau d'eau système CONVOClean 6.10/10.10/20.10 P3  
I028 - 6006122 - Collier pour tuyau 7-11 mm  
I029 - 8009058 - Collier de câble 10 mm  
I032 - 6019100 - Autocollant raccordement pour nettoyant P3  
I034 - 8019010 - Collier de câble 16 mm  
I036 - 6019109 - Autocollant d'identification CONVOClean  
I037 - 6019111 - Autocollant d'identification CONVOCare  
K002 - 5018027K - Grille de protection de ventilateur 120 mm avec matériel de fixation  
L004 - 7004008 - Produit de protection Loctite Type 243e  
L005 - 7004013 - Laque de protection des vis  
L006 - 7004020 - Colle silicone E 43  
L007 - 7014005 - Pâte à cuivre  
L009 - 7014004 - Ruban adhésif alu pour isolation P3  
L010 - 7015200 - Arrache-moyeux pour roue de ventilateur P3 avec accessoires  
L011 - 7004018 - Lubrifiant OKS 1120

# Ersatzteilzeichnung Wasserversorgung Standgeräte P3 Spare part drawing water supply floor units P3

ETZ G - WV 567 RHB P3 1 / 1

# G

12.20  
20.10  
20.20



Art. Nr. 9825325\_00 | 3.2.2010 | Änderungen vorbehalten! Changes excepted!

gültig ab / valid from: 01.02.2010	Vorgängerversion / previous version: 9825301
gültig bis / valid to:	Nachfolgeversion / follow-up version:

Enodis  
Talstraße 35  
D- 82436 Eglfing | Germany

Tel. +49(0)8847/67-0  
Fax +49(0)8847/414  
info@hotairsteamer.com



## English | Spare part list for model number 9825325

## Deutsch | Ersatzteilliste für Artikelnummer 9825325

Pos.	Item no.	name	Pos.	Art.Nr.	Bezeichnung
G001	5001059	Single solenoid valve, straight 220/240V	G001	5001059	Einfachmagnetventil gerade 220/240V
G001	5011000	Triple solenoid valve, straight 220/240V	G001	5011000	Dreifachmagnetventil gerade 220/240V
G001	5001080	Dual solenoid valve, straight 220/240V	G001	5001080	Doppelmagnetventil gerade 220/240V
G002	7002033	Hot water pipe 3/8"	G002	7002033	Heisswasserschlauch 3/8"
G003	5011003	Water supply T-connector 2x3/4" 1x1/2" P3	G003	5011003	T-Verbindungsstück WA 2x3/4" 1x1/2" P3
G004	2013002	Dehumidifier nozzle P3	G004	2013002	Entfeuchtungsdüse P3
G005	2216796	Demoisturising tray cover P3	G005	2216796	Entfeuchtungswannen-Abdeckung P3
G006	6015215	Right-angle pipe connector 3/8" with washer	G006	6015215	Winkel-Schlauchanschluss 3/8" m. Dichtung
G007	7012308	Connecting pipe for retractable hand shower 12.20/20.10/20.20 P3	G007	7012308	Anschlusschlauch für Rollhandbrause 12.20/20.10/20.20 P3
G010	6011019K	Hand-shower hose for retractable hand shower P3	G010	6011019K	Brauseschlauch für Rollhandbrause P3
G011	6011005	Hand-shower for retractable hand shower P3	G011	6011005	Handbrause für Rollhandbrause P3
G012	2625197	Hand-shower holder for retractable hand shower 12.20/20.10/20.20 P3	G012	2625197	Handbrausehalter für Rollhandbrause 12.20/20.10/20.20 P3
G015	6006086	Hose clip 12-22mm	G015	6006086	Schlauchbinder 12-22mm
G028	6015420	Reducing socket 1/2"-3/8" for retractable hand shower	G028	6015420	Reduziermuffe 1/2"-3/8" für Rollhandbrause P3
G029	5011013	Single solenoid valve 220/240V 3/8"-3/8" for retractable hand shower P3	G029	5011013	Einfachmagnetventil 220/240V 3/8"-3/8" für Rollhandbrause P3
G030	6011020K	Retractable hand shower 12.20/20.10/20.20 P3 incl. fixing accessories	G030	6011020K	Rollhandbrause 12.20/20.10/20.20 P3 mit Montagematerial
G031	2625193	Fixing accessories for retractable hand shower 12.20/20.10/20.20 P3	G031	2625193	Montageset für Rollhandbrause 12.20/20.10/20.20 kpl P3
G032	6013062	Sealing cap for retractable hand shower 12.20/20.10/20.20 P3	G032	6013062	Dichtmanschette für Rollhandbrause 12.20/20.10/20.20 P3
G033	2625194	Hose reel for retractable hand shower P3 incl. fixing accessories	G033	2625194	Schlauchtrommel kpl. für Rollhandbrause P3 mit Montagematerial
G034	6011017K	Rotor for retractable hand shower P3 incl. fixing accessories	G034	6011017K	Drehdurchführung für Rollhandbrause P3 mit Montagematerial
G035	6011037K	Spring rewinder for retractable hand shower P3	G035	6011037K	Federspanner für Rollhandbrause P3
G036	2625195	Micro switch for retractable hand shower P3	G036	2625195	Mikroschalter für Rollhandbrause P3
G037	6011038K	Switch plunger for retractable hand shower P3	G037	6011038K	Schaltstößel für Rollhandbrause P3
G038	6011041	Guide roller for retractable hand shower P3	G038	6011041	Umlenkrolle für Rollhandbrause P3
G039	6011035K	Switch wafer for retractable hand shower P3	G039	6011035K	Schaltzscheibe für Rollhandbrause P3
G040	7012311K	Downpipe for retractable hand shower P3	G040	7012311K	Ablaufschlauch für Rollhandbrause P3

Druckdatum/print date 24-2-2010

## Français | liste de pièces de rechange du N° Model 9825325

## Español | lista de piezas de recambio del N° model 9825325

Pos.	N°art.	dénomination	Pos.	item no.	denominación
G001	5001059	Electrovanne simple droite 220/240V	G001	5011000	Válvula electromagnética triple recta 220/240 V
G001	5011000	Electrovanne triple droite 220/240V	G001	5001080	Válvula electromagnética doble recta 220/240 V
G001	5001080	Electrovanne double droite 220/240V	G001	5001059	Válvula electromagnética sencilla recta 220/240 V
G002	7002033	Tuyau d'eau chaude 3/8"	G002	7002033	Manguera para agua caliente 3/8"
G003	5011003	Raccord en T alimentation eau 2x3/4" 1x1/2" P3	G003	5011003	Pieza de unión en T Conexión de agua 2x3/4" 1x1/2" P3
G004	2013002	Buse de déshumidification P3	G004	2013002	Boquilla deshumidificadora P3
G005	2216796	Couvercle pour bacs de déshumidification P3	G005	2216796	Cubierta de la bandeja de deshumidificación P3
G006	6015215	Raccord coudé pour tuyau 3/8" avec joint	G006	6015215	Conexión de manguera acodada 3/8" con junta
G007	7012308	Ligne de raccordement pour douchette à enrouleur 12.20/20.10/20.20 P3	G007	7012308	Tubería de conexión para ducha de mano enrollable 12.20/20.10/20.20 P3
G010	6011019K	Tuyau pour douchette pour douchette à enrouleur P3	G010	6011019K	Manguera de ducha de mano para ducha de mano enrollable P3
G011	6011005	Douchette pour douchette à enrouleur P3	G011	6011005	Ducha de mano para ducha de mano enrollable P3
G012	2625197	Support Douchette pour douchette à enrouleur 12.20/20.10/20.20 P3	G012	2625197	Soporte de ducha de mano p. ducha de mano enrollable 12.20/20.10/20.20 P3
G015	6006086	Collier de tube 12-22 mm	G015	6006086	Brida de manguera 12-22 mm
G028	6015420	Réduisant 1/2"-3/8" pour douchette à enrouleur P3	G028	6015420	Pasatabiques 1/2"-3/8" para ducha de mano enrollable P3
G029	5011013	Electrovanne 220/240V 3/8"-3/8" pour douchette à enrouleur P3	G029	5011013	Válvula electromagnética 220/240V 3/8"-3/8" p. ducha de mano enrollable P3
G030	6011020K	Douchette à enrouleur 12.20/20.10/20.20 P3 avec accessoires de montage	G030	6011020K	Ducha de mano enrollable 12.20/20.10/20.20 P3 con accesorios de montaje
G031	2625193	Accessoires de montage pour douchette à enrouleur 12.20/20.10/20.20 P3	G031	2625193	Accesorios de montaje para ducha de mano enrollable 12.20/20.10/20.20 P3
G032	6013062	Capuchon de joint pour douchette à enrouleur 12.20/20.10/20.20 P3	G032	6013062	Guarnición para ducha de mano enrollable 12.20/20.10/20.20 P3
G033	2625194	Tambour de tuyau p. douchette à enrouleur P3 avec accessoires de montage	G033	2625194	Tambor de manguera p. ducha de mano enroll. P3 con accesorios de montaje
G034	6011017K	Raccord tournant p. douchette à enrouleur P3 avec accessoires de montage	G034	6011017K	Junta giratoria p. ducha de mano enrollable P3 con accesorios de montaje
G035	6011037K	Tenseur de ressort pour douchette à enrouleur P3	G035	6011037K	Tensor de muelle para ducha de mano enrollable P3
G036	2625195	Microrupteur pour douchette à enrouleur P3	G036	2625195	Microinterruptor para ducha de mano enrollable P3
G037	6011038K	Poussoir pour douchette à enrouleur P3	G037	6011038K	Empujador para ducha de mano enrollable P3
G038	6011041	Poulie de guidage pour douchette à enrouleur P3	G038	6011041	Rodillo de guía para ducha de mano enrollable P3
G039	6011035K	Came pour douchette à enrouleur P3	G039	6011035K	Disco de leva para ducha de mano enrollable P3
G040	7012311K	Tuyau d'écoulement pour douchette à enrouleur P3	G040	7012311K	Manguera vertedor para ducha de mano enrollable P3

Druckdatum/print date 24-2-2010