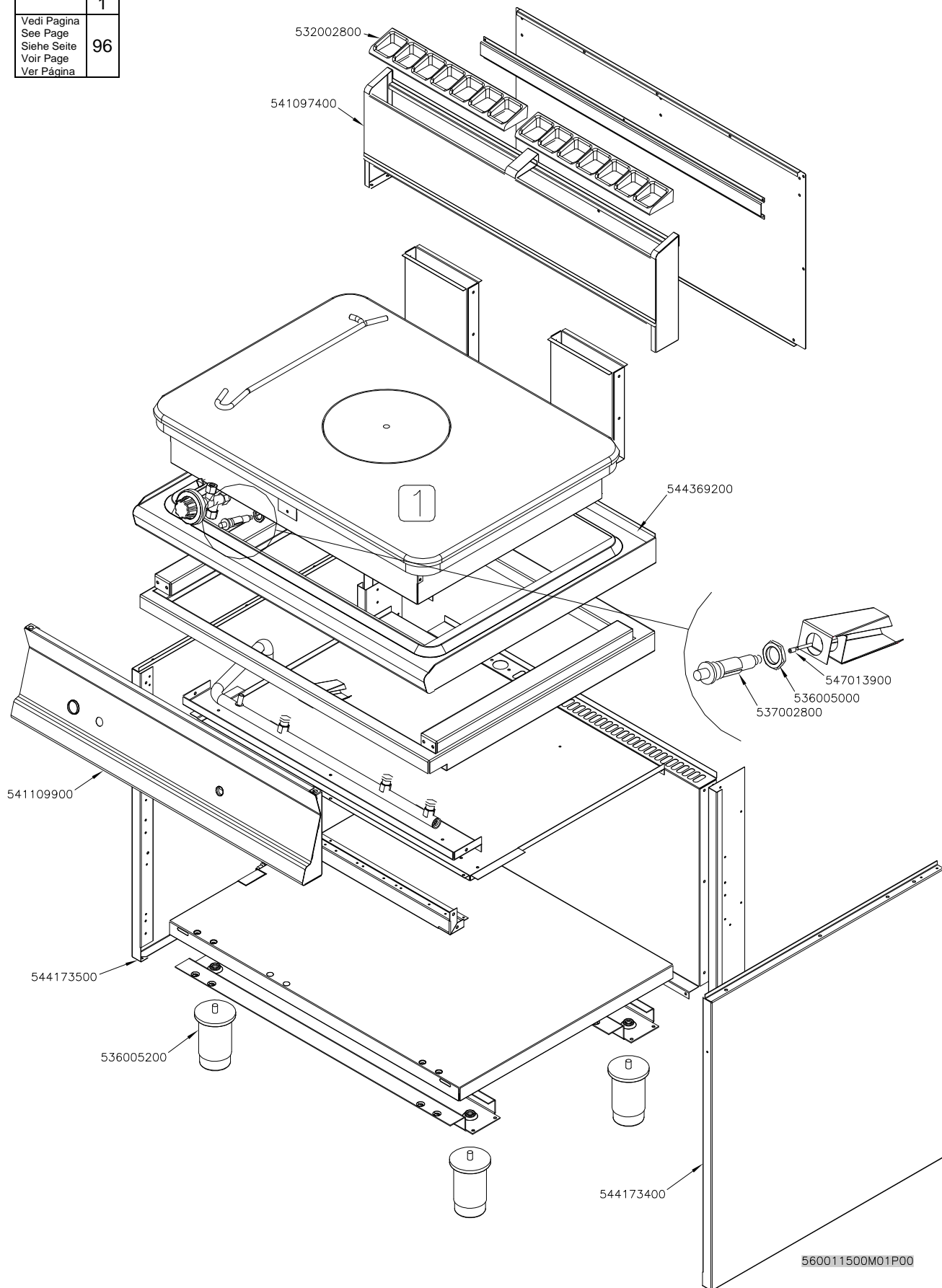


SUPERLOTUS 70≤0601

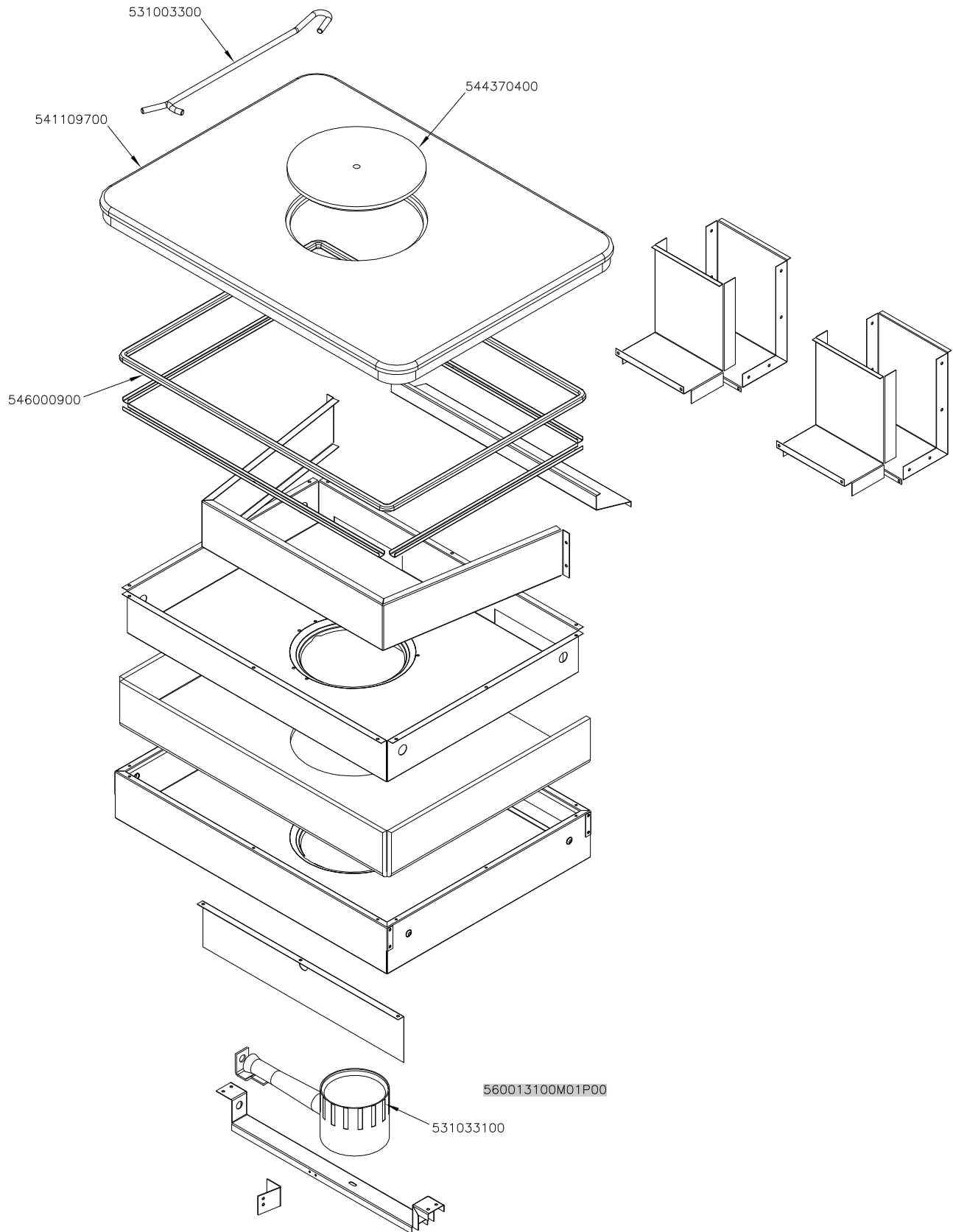
GAS / GAS / GAS / GAZ

TP-78G

	1
Vedi Pagina See Page Siehe Seite Voir Page Ver Página	96



TP

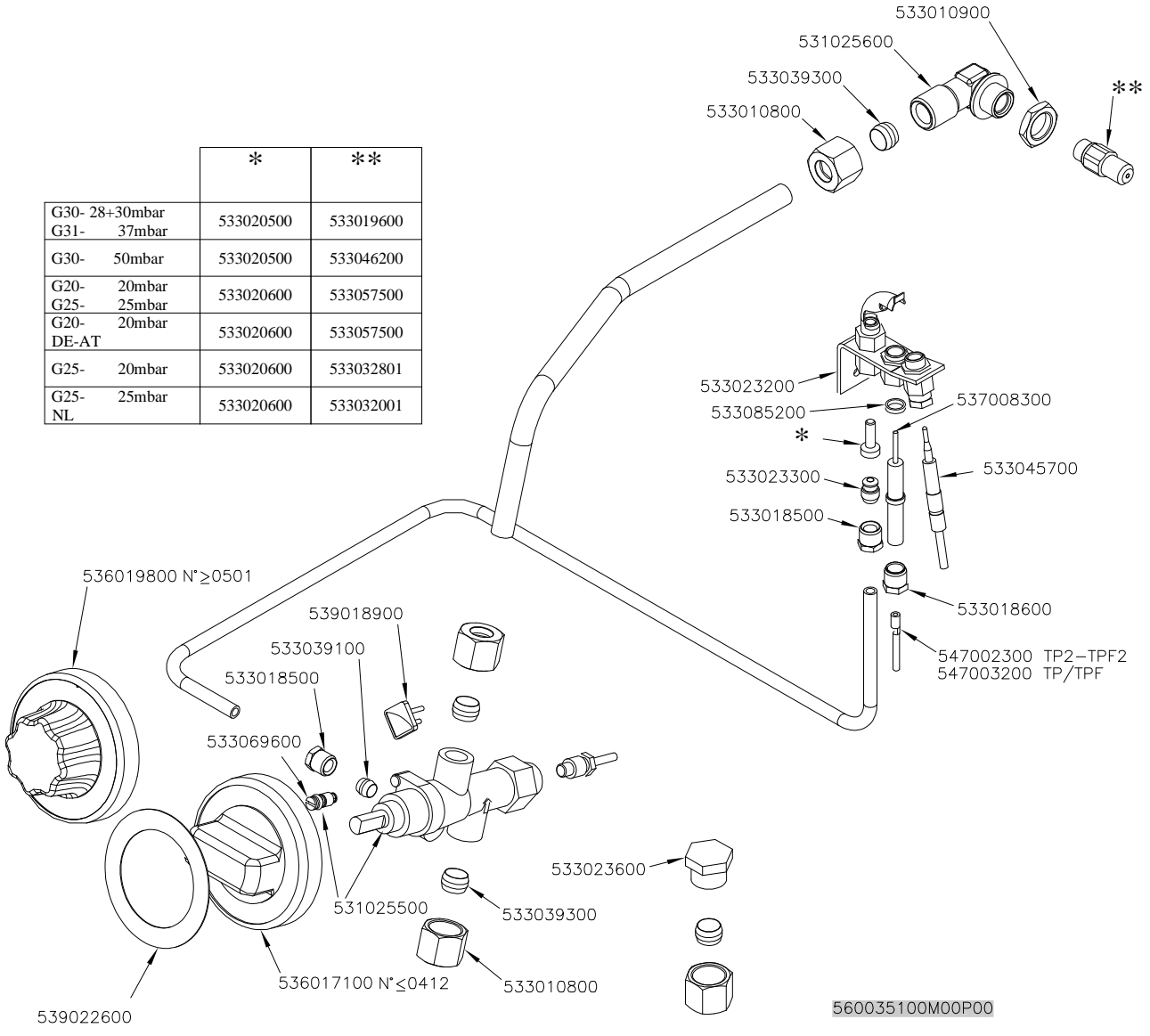


SUPERLOTUS 70≤0601

COMPONENTI COMUNI / STANDARDS PARTS / UEBLICHE TEILE / COMPOSANTS COMMUNS

TP

	*	**
G30- 28+30mbar G31- 37mbar	533020500	533019600
G30- 50mbar	533020500	533046200
G20- 20mbar G25- 25mbar	533020600	533057500
G20- 20mbar DE-AT	533020600	533057500
G25- 20mbar	533020600	533032801
G25- 25mbar NL	533020600	533032001



Page	Pos	Code	Description
001		532002800	GRID FOR PIPE L=370 S.70
001		541097400	SPACER 78G - 2 DRAINS
001		544369200	UPPER PLATE TP-78G
001		547013900	HIGH-VOLTAGE CABLE TUB.§2 L=1400
001		536005000	NUT M18 FOR PIEZOELECTRIC IGNITION
001		537002800	PIEZOELECTRIC IGNITION M18
001		541109900	CONTROL PANEL TP-78G
001		544173500	LEFT SIDE PANEL S.70
001		536005200	INOX LEG 2" 120-180 M10
001		544173400	RIGHT SIDE PANEL S.70
002		531003300	TP-PLATE LIFTING HOOK
002		544370400	RING PLATE TP S.70
002		541109700	PLATE TP-78G
002		546000900	SQUARE BRAID OF INSULATING MATERIAL
002		531033100	BURNER TP..-78G
003		533010900	NUT M14*1 H.4
003		531025600	ELBOW 90° NOZZLE-HOLDER §10 PIPE
003		533039300	BICONE §10
003		533010800	TUBE NUT D.10 M16*1,5
003		533023200	"TARGET" PILOT + NIPPLE TC BRAC.90°
003		533085200	
003		533023300	BICONE §6 ("TARGET" PILOT)
003		533018500	FITTING FOR BICONE D.6 M10*1
003		537008300	ROUND PLUG §2,4- LONG ELECTRODE
003		533045700	THERMOCOUPLE M9*1 500
003		533018600	PLUG FITTING
003		547003200	HIGH-VOLTAGE CABLE TUBE.§2 L=500
003		536019800	BLACK KNOB §70 PIN §8*6,5
003		539018900	INDEX FOR KNOB
003		533039100	BICONE §6
003		533069600	BY PASS COCK §130 20S-21S
003		533023600	TAP PLUG §10 M16*1, 5CH19
003		531025500	GAS COCK 21S P.V.BY-PASS Ø130
003		536017100	BLACK KNOB §70 PIN §8*6,5
003		539022600	GRADUATED STICKER FOR KNOB
003		533020500	NOZZLE 0.140 §19
003		533019600	NOZZLE §165 CH12*30 MH-FT5 H-FT6
003		533046200	NOZZLE §150 CH12X30 L-BR TP
003		533020600	NOZZLE 0.140 §27
003		533057500	NOZZLE §260 CH12X30
003		533032801	NOZZLE §280 CH12*30 M-CPM
003		533032001	NOZZLE §270 CH12*30 MH-CPM