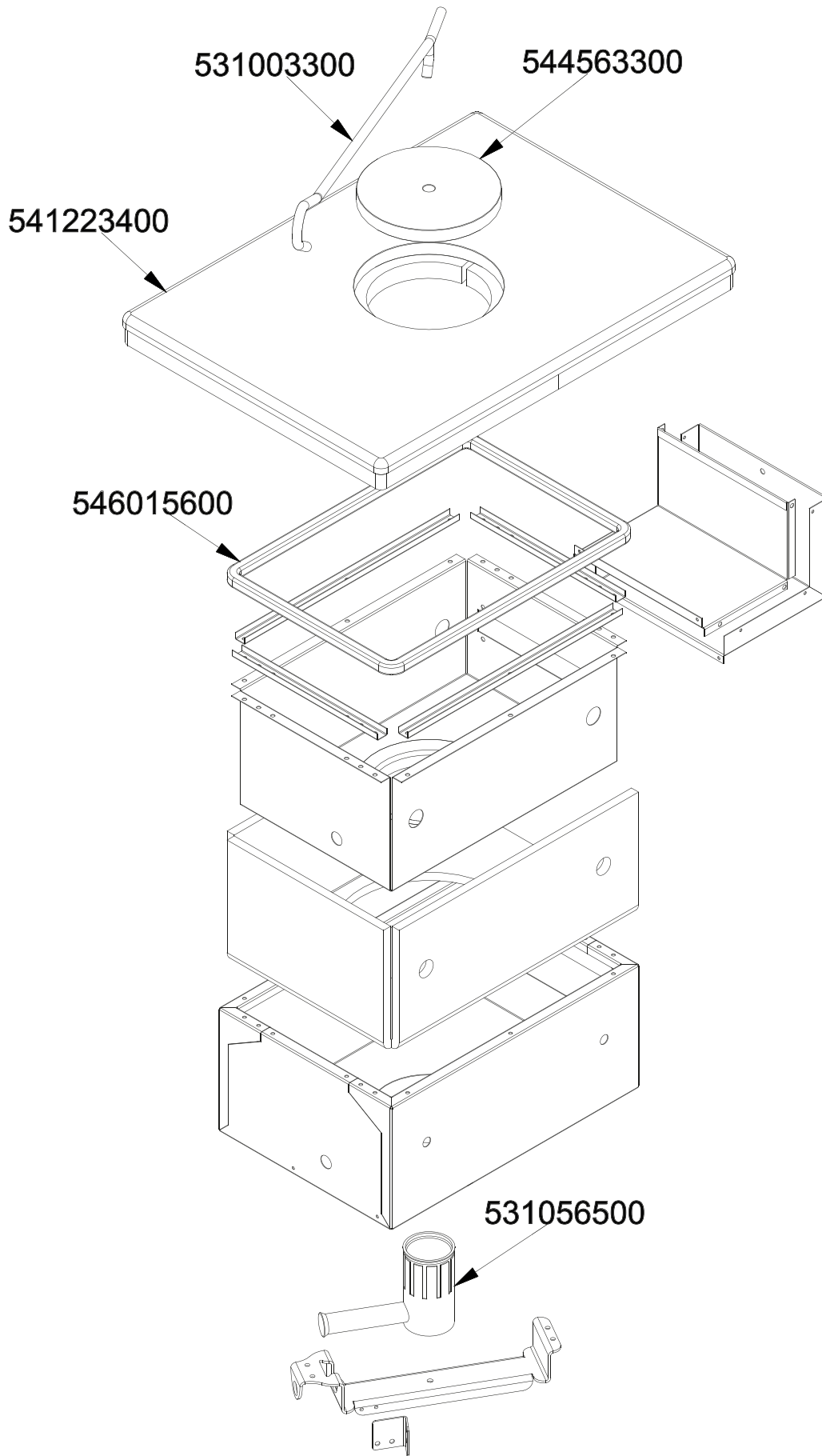
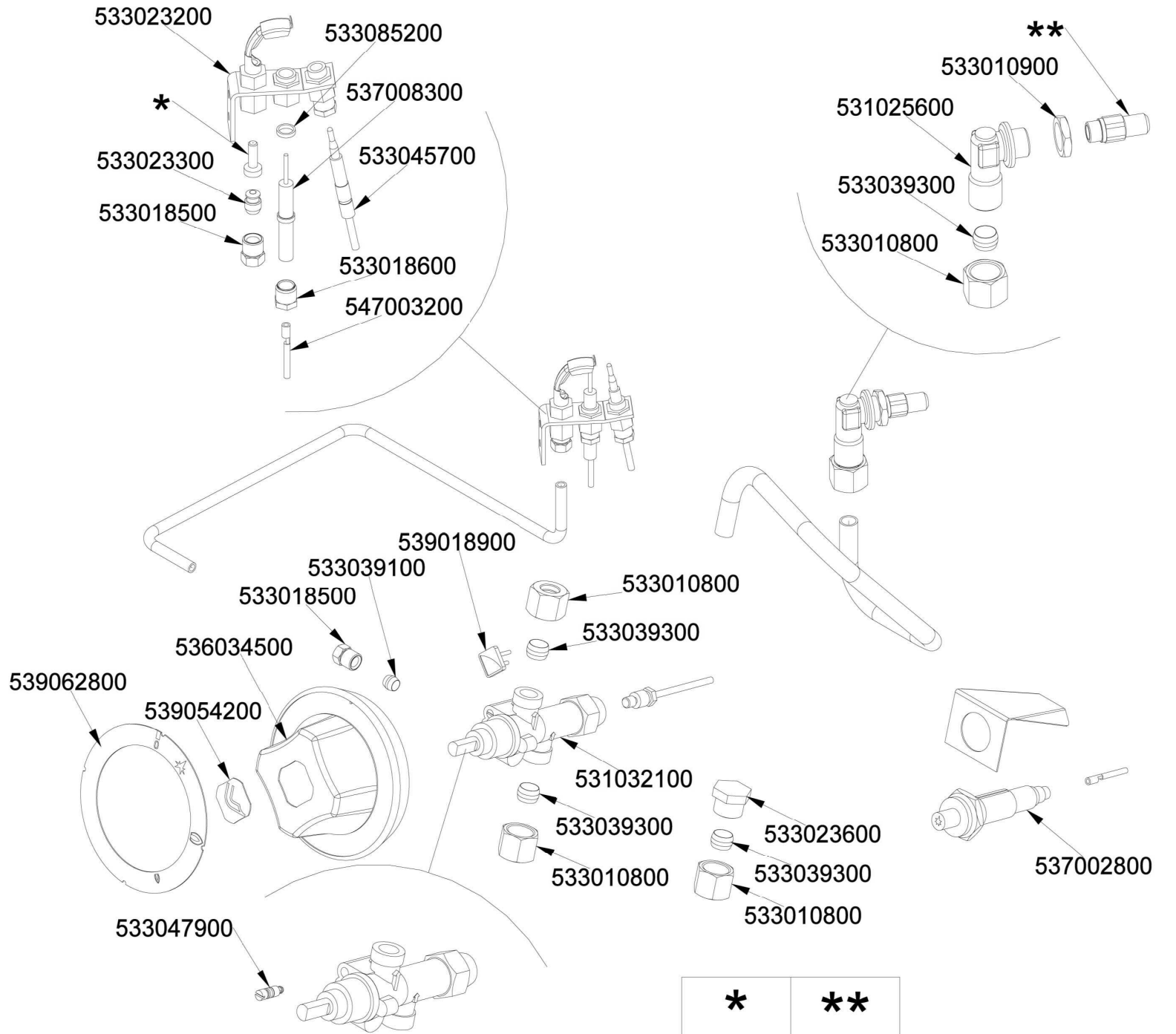


	*	**
G30-28+30mbar G31- 37mbar	533043400	533015400
G30- 50mbar	533043300	533015300
G20- 20mbar G25- 25mbar	533019400	533015200
G20- 20mbar DE-AT	533019400	533015200
G25- 20mbar	533043600	533030300
G25- 25mbar NL	533043500	533014900

560012201M01P00



560078400M00P00



	*	**
G30-28+30mbar G31- 37mbar	533020500	533109800
G30- 50mbar	533020500	533109900
G20- 20mbar G25- 25mbar	533020600	533110000
G20- 20mbar DE-AT	533020600	533110000
G25- 20mbar	533020600	533058100
G25- 25mbar NL	533020600	533110100

560078500M01P00

Page	Pos	Code	Description
001		532006200	2 BURNERS GRID 289X504 60T RAF
001		544522000	BURNER DRIP PAN OF PCT-60
001		541198900	UPPER PLATE CF 6-610G
001		544508100	LHD SIDE OF 60T APPLIANCES
001		544529100	
001		533010500	LEG M10*25 D.40
001		544508000	RHD SIDE OF 60T APPLIANCES
002		532006400	QUICKBURNER 2 RING Ø082 3 Z
002		532006600	BURNER BODY 3,5 KW WITH PLUG
002		532001300	BURNER VENTURI 3,5 KW
002		533011100	THERMOCOUPLE 750 M8*1
002		537010300	IGNITION PLUG WITH SPRING PC65
002		533053000	AIR ADJUSTMENT BUSHING §18
002		533076100	HEXAGONAL NUT M14X1 H4 + BUSHING
002		533052301	JOINT FOR NOZZLE HOLDER
002		533039300	BICONE §10
002		533010800	TUBE NUT D.10 M16*1,5
002		532006500	QUICKBURNER 2 RING Ø102 3 Z
002		532006700	BURNER BODY 5,5 KW WITH PLUG
002		532001400	BURNER VENTURI 5,5 KW
002		533053100	AIR ADJUSTMENT BUSHING §20
002		539063000	RED STICKING DISK 72
002		539054200	STAMP Ø20,5 CR."L" LOTUS R.
002		536034500	KNOB §77 4P. §08*6,5
002		531025900	SAFETY TAP 20S-B PEL20S21070
002		539018900	INDEX FOR KNOB W/RED SIGN
002		531025800	SAFETY TAP 20S-B PEL20S2160
002		533069100	BY PASS COCK §60 20S
002		533069000	BY PASS COCK §70 20S-21S
002		533043400	NOZZLE §117 CH12*14 G-PC4 UR
002		533043300	NOZZLE §103 CH12*14 F-PC4 UR
002		533019400	NOZZLE §180 CH12*14 L-FQ5
002		533043600	NOZZLE §200 CH12*14 L-PC4 UR
002		533043500	NOZZLE §190 CH12*14 G25 PC4R
002		533015400	NOZZLE §93 CH12*14 G-PC4 R
002		533015300	NOZZLE §82 CH12*14 F-PC4 R
002		533015200	NOZZLE §145 CH12*14 F-FP/CP6
002		533030300	NOZZLE §160 CH12*14 M-FPG
002		533014900	NOZZLE §150 CH12*14 F-FQ5 L-FQ6
003		531003300	TP-PLATE LIFTING HOOK
003		544563300	PLATE RING FOR TPT-64G
003		541223400	PLATE OF TPT-64G
003		546015600	TRECCIA QUADRA L.C.12X12 L1111
003		531056500	CIRCULAR BURNER TPT-64G 5,8KW
004		533023200	TARGET PILOT + NIPPLE TC BRAC.90°
004		533085200	SPACER FOR PILOT PLUG
004		533010900	NUT M14*1 H.4
004		537008300	ROUND PLUG §2,4- LONG ELECTRODE
004		531025600	ELBOW 90° NOZZLE-HOLDER §10 PIPE
004		533023300	BICONE §6 ("TARGET" PILOT
004		533045700	THERMOCOUPLE M9*1 500

Page	Pos	Code	Description
004		533039300	BICONE §10
004		533018500	FITTING FOR BICONE D.6 M10*1
004		533018600	PLUG FITTING
004		533010800	TUBE NUT D.10 M16*1,5
004		547003200	HIGH-VOLTAGE CABLE TUBE.§2 L=500
004		533047900	BY PASS COCK §100 21S
004		539062800	RED STICKING DISK 72
004		539054200	STAMP O20,5 CR."L" LOTUS R.
004		536034500	KNOB §77 4P. §08*6,5
004		533039100	BICONE §6
004		539018900	INDEX FOR KNOB W/RED SIGN
004		531032100	GAS COCK 21S P.V.BY-PASS O100
004		533023600	TAP PLUG §10 M16*1, 5CH19
004		537002800	PIEZOELECTRIC IGNITION M18 WITH NUT
004		533020500	NOZZLE 0.140 §19
004		533020600	NOZZLE 0.140 §27
004		533109800	NOZZLE §120A CH12*30,0
004		533109900	NOZZLE CH12X30,0 O105B
004		533110000	NOZZLE §170A CH12X30,0
004		533058100	NOZZLE §190 CH12*30 G-BRF78
004		533110100	NOZZLE §180 CH12X30,0