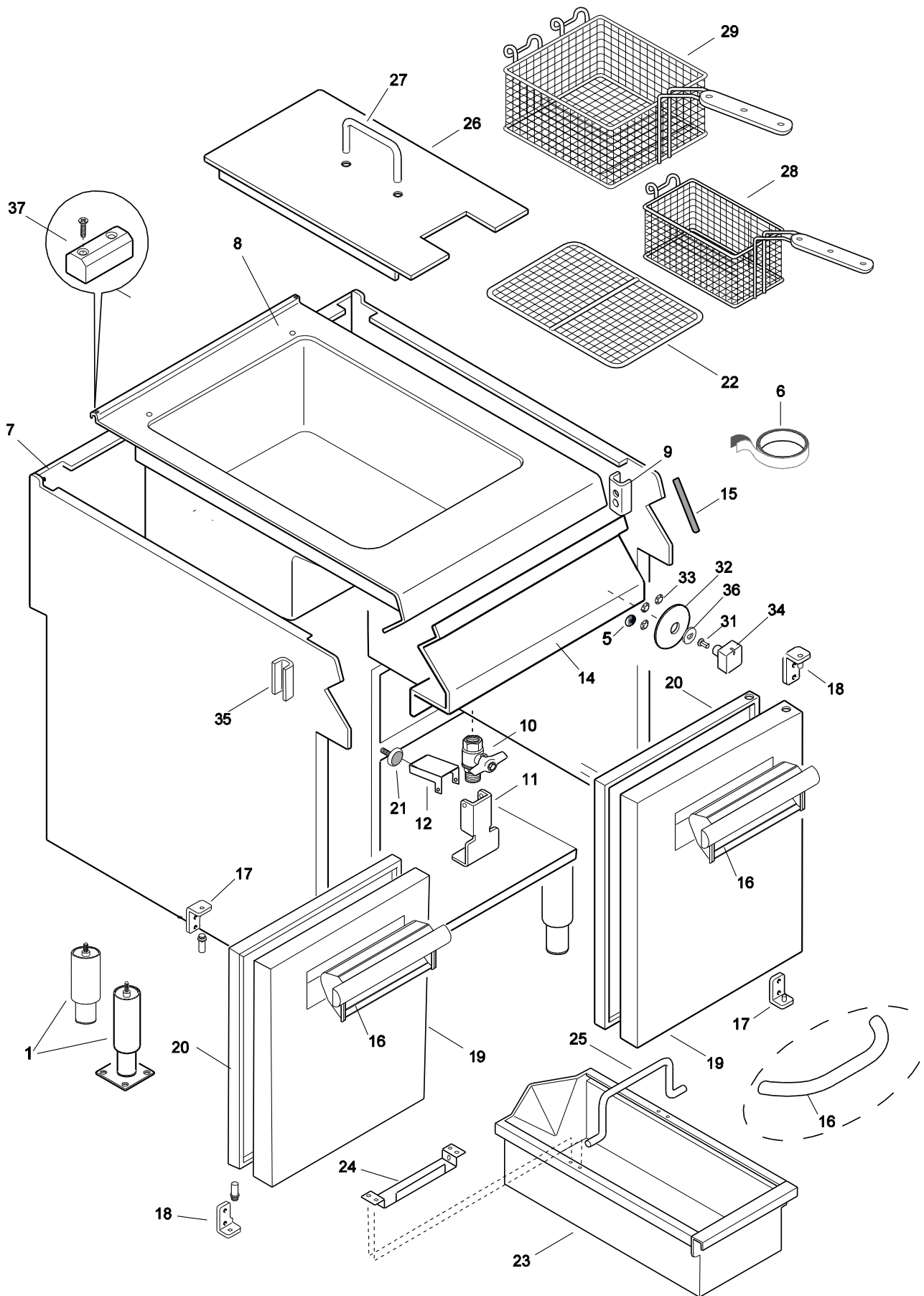


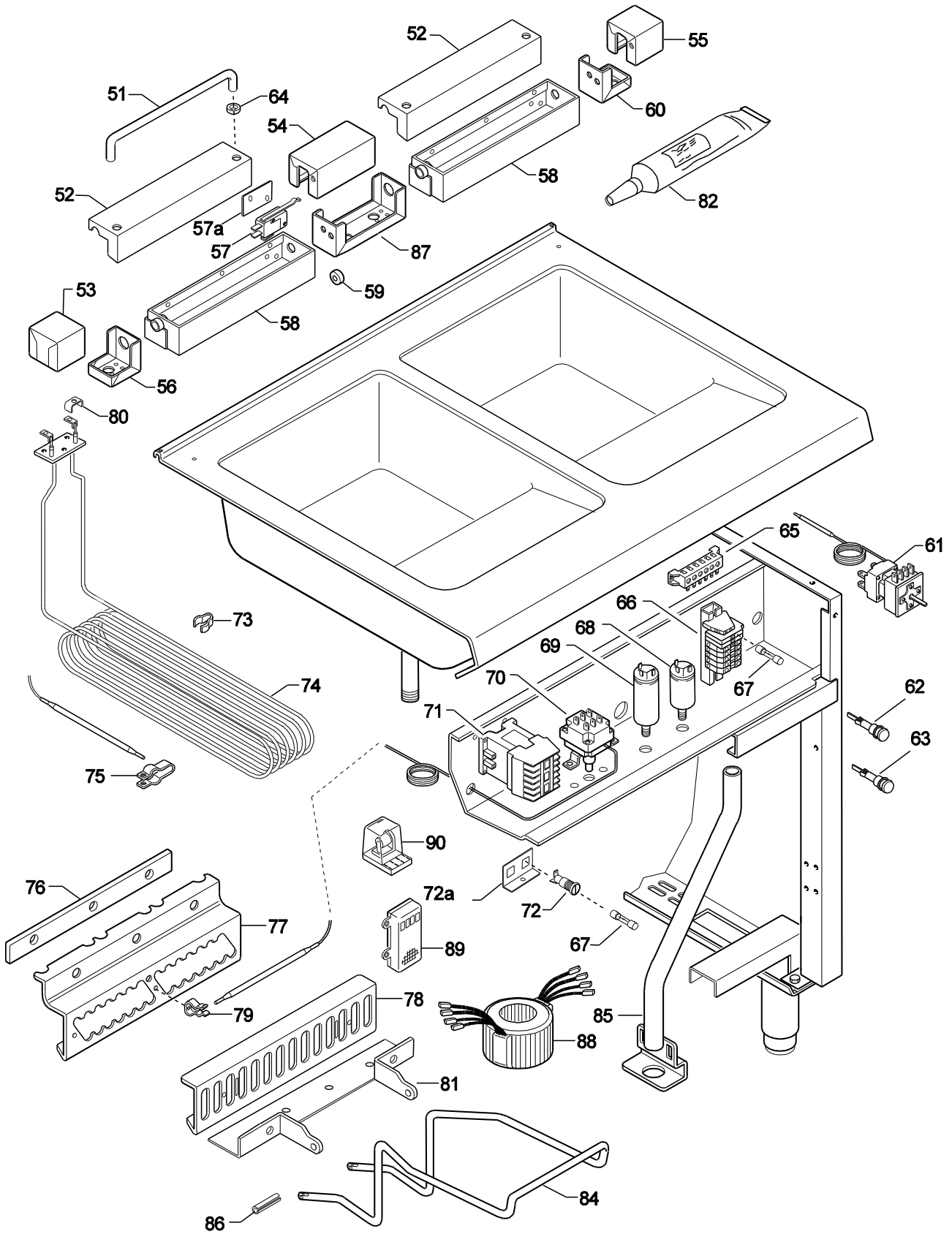
FRIGGITRICI ELETTRICHE 18L E900XP
ELECTRIC FRYERS 18L E900XP

PNC	Model	Ref	Pag.	Brand	Version	Notes
391094	E9FRED1HF0	a	2,3	ELX	1 WELL	2 ½ BASKETS – 400V
391095	E9FRED2HF0	b	2,3	ELX	2 WELLS	4 ½ BASKETS – 400V
391178	E9FRED1HFN	c	2,3	ELX	1 WELL	2 ½ BASKETS - 230V
391179	E9FRED2HFN	d	2,3	ELX	2 WELLS	4 ½ BASKETS - 230V
391190	E9FRMD1HF5	e	2,3	ELX	1 WELL	2 ½ BASKETS MARINE 400V
391191	E9FRMD1HF6	n	2,3	ELX	1 WELL	2 ½ BASKETS MARINE 440V
391311	E9FRED1HFG	o	2,3	ELX	1 WELL	2 ½ BASKETS – 400V
392094	Z9FRED1HF0	f	2,3	ZAN	1 WELL	2 ½ BASKETS – 400V
392095	Z9FRED2HF0	g	2,3	ZAN	2 WELLS	4 ½ BASKETS – 400V
392178	Z9FRED1HFN	h	2,3	ZAN	1 WELL	2 ½ BASKETS - 230V
392179	Z9FRED2HFN	i	2,3	ZAN	2 WELLS	4 ½ BASKETS - 230V
393094	A9FRED1HF0	l	2,3	OEM	1 WELL	2 ½ BASKETS – 400V
393095	A9FRED2HF0	m	2,3	OEM	2 WELLS	4 ½ BASKETS – 400V

Pag	Index	Indice	Note
2	General componets	Componenti struttura	
3	Electric Components	Componenti elettrici	
4,5	Spare parts list	Lista ricambi	

Brand/Marchio: All
Factory code: 9PDX





**FRIGGITRICI ELETTRICHE 18L E900XP
ELECTRIC FRYERS 18L E900XP**

<i>Pos</i>	<i>Spare Part Code</i>	<i>Factory Code</i>	<i>Descrizione</i>	<i>Description</i>	<i>Ref./Note</i>
1	0C0204	835856900	PIEDE	FOOT	
1	0C3324	806844600	PIEDE	FOOT	MARINE
2					
3					
4					
5	0C6171	541813800	RONDELLA SILCONE	SILICONE WASHER	
6	*	147018088	ADESIVO STRUTTURALE	STRUCTURAL ADHESIVE	
7	0CA526	85089DY00	FASCIA 400mm	EXTERNAL PANEL 400mm	ELX
7	*	85089DZ00	FASCIA 800mm	EXTERNAL PANEL 800mm	ELX
7	*	85089F300	FASCIA 400mm	EXTERNAL PANEL 400mm	ZAN, OEM
7	*	85089F400	FASCIA 800mm	EXTERNAL PANEL 800mm	ZAN, OEM
8	0C7497	87089AU00	RIPIANO / VASCA 400mm (18Lt)	WORKTOP / TANK 400mm (18Lt)	ELX
8	0C7498	87089AV00	RIPIANO / VASCA 800mm (18+18Lt)	WORKTOP / TANK 800mm (18+18Lt)	ELX
8	0C7508	87089CB00	RIPIANO / VASCA 400mm (18Lt)	WORKTOP / TANK 400mm (18Lt)	ZAN, OEM
8	0C7509	87089CC00	RIPIANO / VASCA 800mm (18+18Lt)	WORKTOP / TANK 800mm (18+18Lt)	ZAN, OEM
9	0C0156	527850500	PIASTRA FISSAGGIO FIANCHI	SIDE PANEL JOINTING PLATE	
10	0A5439	835841201	VALVOLA SCARICO	DRAIN VALVE	
11	0C0763	525885100	PROTEZIONE LEVA SCARICO	PROTECTION, DRAIN LEVER	
12	0C0764	508883202	SUPPORTO PROTEZIONE LEVA	SUPPORT, PROTECTION DRAIN	
14	0C7740	85589AK00	CRUSCOTTO 400mm	CONTROL PANEL 400mm	ELX
14	0C7749	85589B600	CRUSCOTTO 400mm	CONTROL PANEL 400mm	ELX MARINE
14	0C7741	85589AL00	CRUSCOTTO 800mm	CONTROL PANEL 800mm	ELX
14	0C7517	87089J600	CRUSCOTTO 400mm	CONTROL PANEL 400mm	ZAN
14	0C7516	87089J100	CRUSCOTTO 800mm	CONTROL PANEL 800mm	ZAN
14	*	50389N800	CRUSCOTTO 400mm	CONTROL PANEL 400mm	OEM
14	*	50389N900	CRUSCOTTO 800mm	CONTROL PANEL 800mm	OEM
15	0L0113	543821900	GUARNIZIONE X CRUSCOTTO	GASKET, CONTROL PANEL	
16	0C7164	51589A700	MANIGLIA	HANDLE	ELX
16	0C8190	054887A800	MANIGLIA	HANDLE	ZAN
16	0A5021	854864203	MANIGLIA	HANDLE	OEM
17	0C0138	516860801	CERNIERA	HINGE, DOOR	
18	0C0139	516860901	CERNIERA	HINGE, DOOR	
19	0C7157	50389G300	PORTA	DOOR	ELX, ZAN
19	*	50389MB01	PORTA	DOOR	OEM
20	0C7158	50489CQ00	CONTROPORTA	INNER DOOR	
21	0C0201	830898200	MAGNETE PER PORTA	MAGNET, DOOR	
*	0C7163	085589CT01	ASSIEME PORTA	COMPLETE DOOR	ELX
*	0C7165	085589CU02	ASSIEME PORTA	COMPLETE DOOR	ZAN
*	0C7627	085589CV00	ASSIEME PORTA	COMPLETE DOOR	OEM
22	006573	830889001	GRIGLIA DI FONDO	GRATE FOR BOTTOM	
23	0C0611	522854700	BACINELLA PER OLIO	BASIN FOR OIL	
24	0C0612	528822801	SUPPORTO MANIGLIA BACINELLA	SUPPORT FOR HANDLE, BASIN	
25	006131	516849501	MANIGLIA BACINELLA	HANDLE, BASIN	
26	0C0765	529890200	COPERCHIO	LID	
27	0C0614	511819000	MANIGLIA COPERCHIO	HANDLE, LID	
28	006133	850894500	CESTELLO, 1/2	BASKET, 1/2	330 x 137 H 142
29	006539	878824600	CESTELLO INTERA VASCA	FULL WELL SIZE BASKET	330 x 285 H 142
31	0C7345	548877V00	ADATTATORE MANOPOLA	KNOB ADAPTER	ELX
32	0C7481	548877L00	GHIERA	RING, KNOB	ELX
32	0C7485	548879W00	GHIERA	RING, KNOB	ZAN, OEM
33	069567	218912211	MOLLA PER GHIERA	SPRING, RING KNOB	
34	0C6670	511850G01	MANOPOLA	KNOB	ELX
34	0C7232	548878201	MANOPOLA	KNOB	ZAN
34	0A5621	548865500	MANOPOLA	KNOB	OEM
35	0C0137	516860700	PIASTRA GIUNZIONE APPARECC.	JOINTING REAR PLATE	

**FRIGGITRICI ELETTRICHE 18L E900XP
ELECTRIC FRYERS 18L E900XP**

<i>Pos</i>	<i>Spare Part Code</i>	<i>Factory Code</i>	<i>Descrizione</i>	<i>Description</i>	<i>Ref./Note</i>
51	OCB323	516851401	SUPPORTO CESTELLI	SUPPORT, BASKET	
52	0C0766	522838400	COPERCHIO SCATOLA RESISTENZE	COVER, HEATING ELEMENTS BOX	
53	0C0767	524886300	COPERTURA SINISTRA	LEFT END COVER	230 V
54	0C0768	524886500	COPERTURA CENTRALE	CENTRAL COVER	
55	0C0769	524886200	COPERTURA DESTRA	RIGHT END COVER	
56	0C0770	528826400	SUPPORTO SINISTRO RESISTENZE	LEFT SUPPORT, HEAT.ELEMENT	
57	053671	640800800	MICROINTERRUTTORE	MICROSWITCH	
57a	045404	246214023	PIASTRINA ISOLANTE	INS. PLAQUE	
58	0C0771	853849902	SCATOLA RESISTENZE	HEATING ELEMENTS BOX	
59	0C0772	516853101	PERNO DESTRO	RIGHT HINGE	
60	0C0773	528826300	SUPPORTO DESTRO RESISTENZE	RIGHT SUPPORT, HEAT.ELEMENT	
61	052330	446578713	INTERRUTTORE CON TERMOSTATO	SWITCH WITH THERMOSTAT	
62	005010	876800002	LAMPADA SPIA VERDE	PILOT LAMP; GREEN	
63	005011	876800102	LAMPADA SPIA GIALLA	PILOT LAMP; YELLOW	
63	0C0687	876800201	LAMPADA SPIA ROSSA	PILOT LAMP; RED	MARINE
64	0A5153	508806002	RONDELLA SUPPORTO CESTELLI	WASHER, BASKET SUPPORT	
65	058613	A05714000	MORSETTIERA	TERMINAL BOARD	e,n all serials / a,o,f,l, up to 6041
66	058608	639805301	MORSETTIERA 2,5/16mm ²	TERMINAL BOARD 2,5/16mm ²	c,h all serial / a,o,f,l from 6051
66	006854	639806600	MORSETTIERA 1,5/16mm ²	TERMINAL BOARD 1,5/16mm ²	b,g,m
66	002277	639805500	MORSETTIERA 2,5/35mm ²	TERMINAL BOARD 2,5/35mm ²	d,i
67	057783	452140500	FUSIBILE	FUSE	All pnc
68	059078	694502400	FILTRO LC	LC STRAINER	
69	049303	694605400	FILTRO TRIFASE	RADIO INTERFERENCE FILTER	
70	004472	646808800	TERMOSTATO DI SICUREZZA	SAFETY THERMOSTAT	
71	007080	648807700	CONTATTORE	CONTACTOR	
72	056582	652800401	PORTAFUSIBILE	FUSE HOLDER	c,h,a,o,f,l,b,g,m,d,i Up to 6041
72a	0C0774	527815701	SUPPORTO FUSIBILI	SUPPORT, FUSE	c,h,a,o,f,l,b,g,m,d,i Up to 6041
73	052262	214582200	MOLLETTA FISSAGGIO CAPILLARI	SPRING, FIX CAPILLARY	
74	006571	617822101	RESISTENZA 5,5kW 400V	HEATING ELEMENT 5,5kW 400V	a,b,e,f,g,l,m
74	006698	617823900	RESISTENZA 5,5kW 230V	HEATING ELEMENT 5,5kW 230V	c,d,h,i
74	006711	617824300	RESISTENZA 5,5kW 440V	HEATING ELEMENT 5,5kW 440V	n
75	056330	506879501	FASCETTA FISS. BULBO LIMITATORE	HOSE CLAMP, FIX SAF.THERM. BULB	
76	0C0775	528809100	TRAVERSINO	CROSSBAR	
77	0C0776	522838801	GUIDA ANTERIORE RESISTENZE	FRONTAL RUNNER, HEAT.ELEM.	
78	0C0777	522851900	GUIDA POSTERIORE RESISTENZE	REAR RUNNER, HEAT.ELEM.	
79	066823	214584201	MOLLA PER BULBO TERMOSTATO	SPRING, THERMOSTAT BULB	
80	*	206434901	PIASTRINA	PLATE	
81	0C0778	527842900	SUPPORTO STAFFA	SUPPORT, HOLDER	
82	006083	147098044	ADESIVO SILICONICO gr.100	ADHESIVE PIPE gr.100	
84	0C0779	516864500	STAFFA PER RESISTENZE 18Lt	HOLDER FOR HEAT.ELEM. 18Lt	
85	0C0780	853858200	ENTRATA CAVO 400m	PIPE FOR CABLE 400mm	1 WELL
85	*	85589C200	ENTRATA CAVO 800mm	PIPE FOR CABLE 800mm	2 WELLS
85	*	835878900	ENTRATA CAVO 400m	PIPE FOR CABLE 400mm	o
86	0H6043	214593100	SPINA PER STAFFA	SPRING, HOLDER	
87	*	528826603	SUPPORTO CENTRALE RESISTENZE	CENTRAL SUPPORT, HEAT.ELEMENT	2 WELLS
88	006710	624806700	AUTOTRASFORMATORE	TRASFORMER	MARINE
89	055368	675800503	BUZZER	BUZZER	MARINE up to 5461...

**FRIGGITRICI ELETTRICHE 18L E900XP
ELECTRIC FRYERS 18L E900XP**

<i>Pos</i>	<i>Spare Part Code</i>	<i>Factory Code</i>	<i>Descrizione</i>	<i>Description</i>	<i>Ref./Note</i>
89	0CA485	675401000	BUZZER	BUZZER	1 WELL
90	006610	648806900	RELÉ	RELAY	MARINE