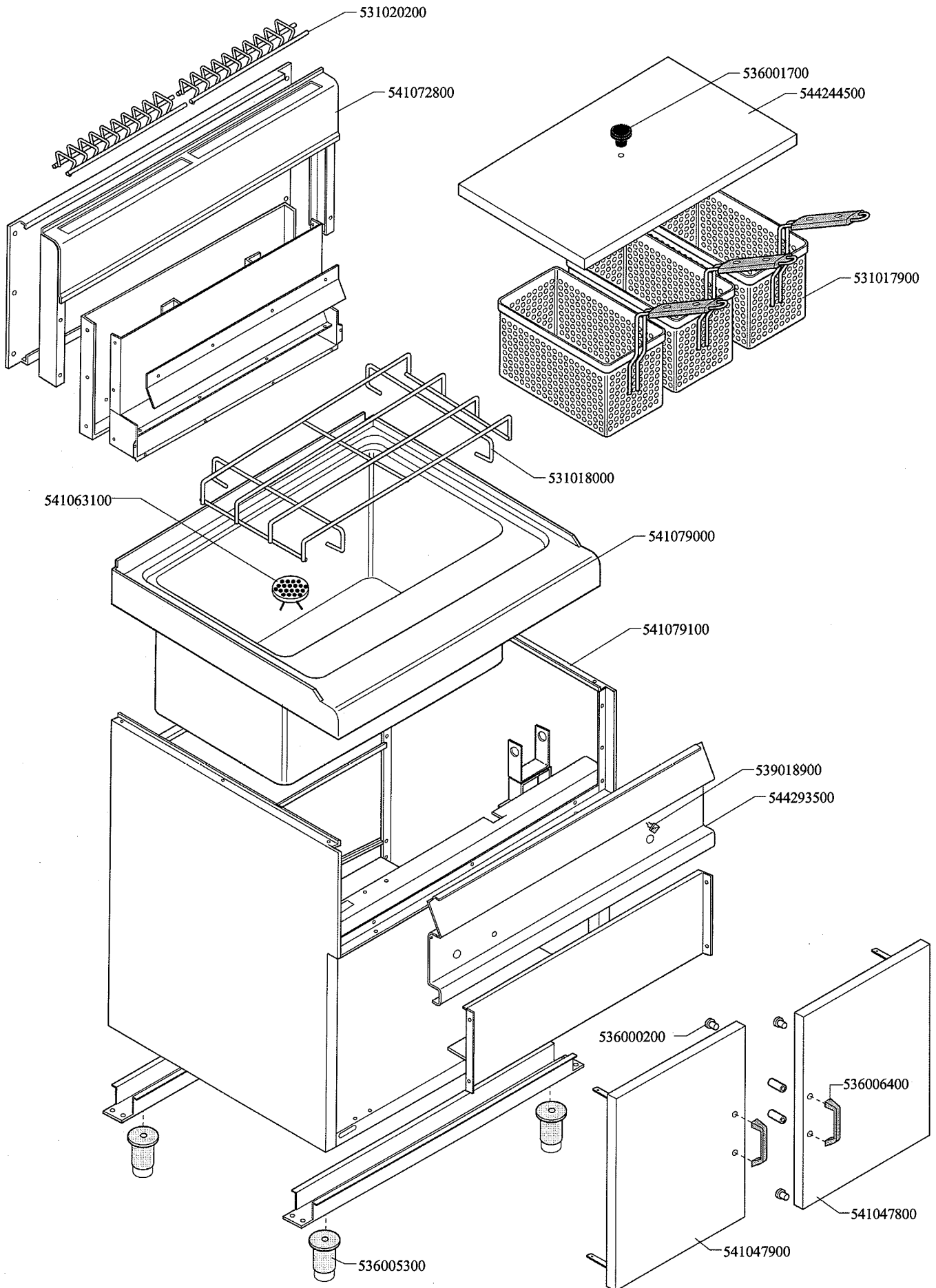
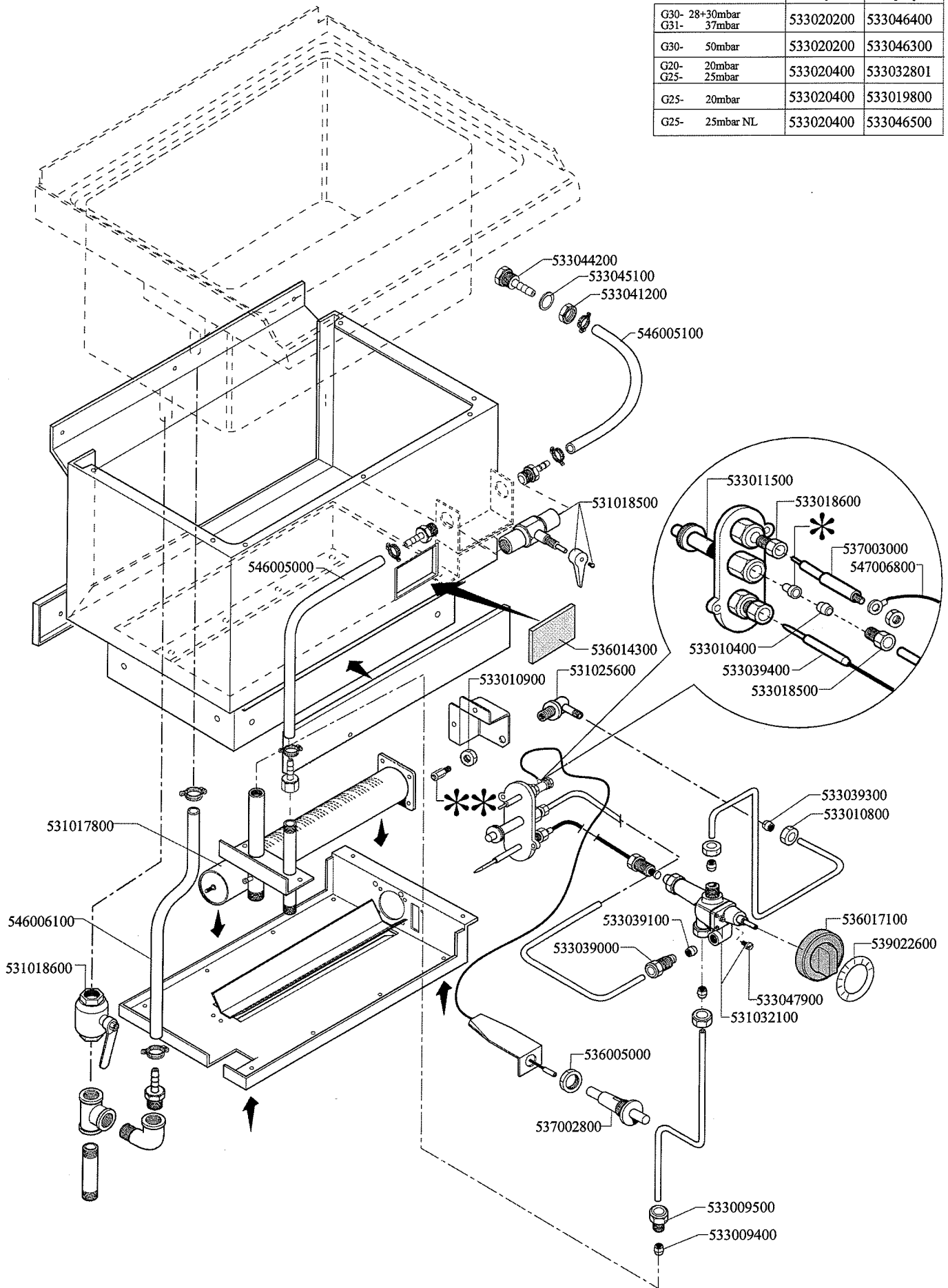


CPM-6G



CPM-6G

	*	**
G30- 28+30mbar G31- 37mbar	533020200	533046400
G30- 50mbar	533020200	533046300
G20- 20mbar G25- 25mbar	533020400	533032801
G25- 20mbar	533020400	533019800
G25- 25mbar NL	533020400	533046500



Page	Pos	Code	Description
001		531020200	FLUE GRID 300"S65"
001		541072800	PERFORATED SPACER 6
001		536001700	GRIP D.25*19*M6
001		544244500	TANK LID CPM-62/6G
001		531017900	PASTACOOKER BASKET 1/3 160X290X200H
001		541063100	TANK DRAIN FILTER BS-4EM/CPM
001		531018000	BASKET SUPPORT GRID CPM-62G
001		541079000	UPPER PLATE CPM-6G
001		541079100	FRAME CPM-6G
001		539018900	INDEX FOR KNOB
001		544293500	CONTROL PANEL CPM-6G
001		536000200	D.12 H.4 BUMPER
001		536005300	PLASTIC LED 2"
001		536006400	BLACK HANDLE 65/FE/FG
001		541047900	LEFT DOOR 30
001		541047800	RIGHT DOOR 30
002		533020200	PILOT JETS 0160 FOR LPG §30
002		533020400	NOZZLE 0160 (NATURAL GAS) 51
002		533046400	NOZZLE §185 CH12*30 G-CPM
002		533046300	NOZZLE §160 CH12*30 F-CPM
002		533032801	NOZZLE §280 CH12*30 M-CPM
002		533019800	NOZZLE §300 C-FT-B2
002		533046500	NOZZLE §290 CH12*30 L-CPM
002		533044200	H.20 INPUT FITTING
002		533045100	GASKET §E24*§I18*SP.1,5
002		533041200	HEXAGONAL NUT 3/8" G
002		546005100	RUBBER TUBE §10INT.*§18EXT.*L=300
002		531018500	BALL VALVE 1/2" F-F CPM-62G
002		546005000	RUBBER TUBE §110E18*L=900 100°C
002		533011500	PILOT BURNER 2 FLAMES 220
002		533018600	PLUG FITTING
002		536014300	INSPECTION HOLE GLASS PANE CPM-62G
002		531025600	ELBOW 90° NOZZLE-HOLDER §10 PIPE
002		533010900	NUT M14*1 H.4
002		533010400	BICONE D.6
002		533039400	THERMOCOUPLE M9*1*850
002		533018500	FITTING FOR BICONE D.6 M10*1
002		537003000	PLUG M4 - LONG ELECTRODE
002		547006800	HIGH-VOLTAGE CABLE OCC.§4-TUBE§2 L7
002		533039300	BICONE §10
002		533010800	TUBE NUT D.10 M16*1,5
002		533039100	BICONE §6
002		533039000	NUT FOR PILOT TUBE §6
002		536017100	BLACK KNOB §70 PIN §8*6,5
002		539022600	GRADUATED STICKER FOR KNOB
002		533047900	BY PASS COCK §100 21S
002		531032100	GAS COCK 21S P.V.BY-PASS Ø100
002		536005000	NUT M18 FOR PIEZOELECTRIC IGNITION
002		537002800	PIEZOELECTRIC IGNITION M18
002		533009500	NIPPLE FOR BICONE 10S
002		533009400	BICONE 10S

Page	Pos	Code	Description
002		531017800	BURNER CPM-62G POLID.103.1515.0
002		546006100	RUBBER TUBE §25INT.*§33EXT.*L=560
002		531018600	BALL VALVE 1"G M-F CPM-62G