



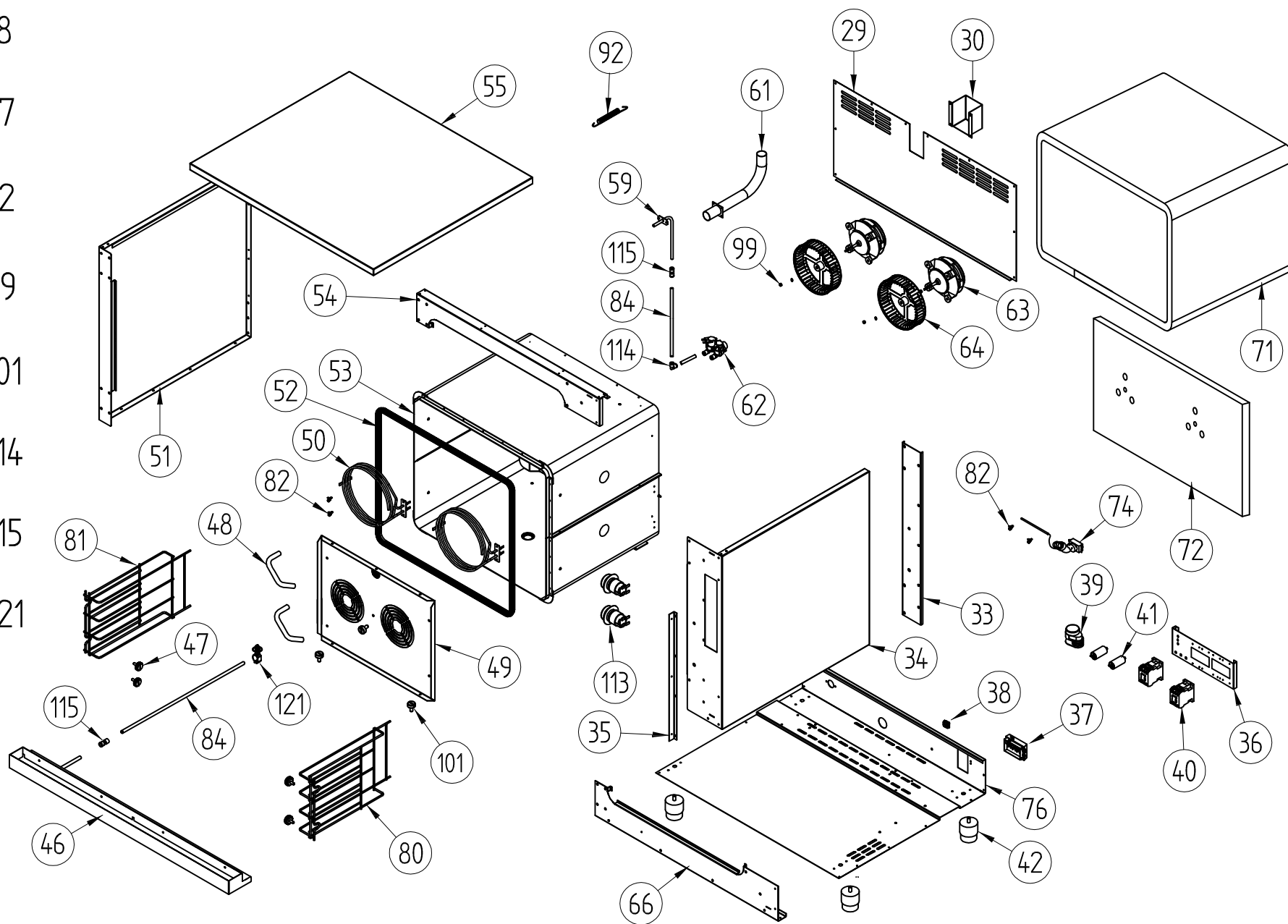
Heißluftöfen & Kombidämpfer Kombidämpfer

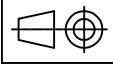
Artikel-Nr. 212015 (P914RXS)

Explosionszeichnung / Ersatzteile

Bitte bei Ersatzteilbestellung immer Artikelnummer und Seriennummer mit angeben!

-  DETAIL 38
-  DETAIL 47
-  DETAIL 82
-  DETAIL 99
-  DETAIL 101
-  DETAIL 114
-  DETAIL 115
-  DETAIL 121



4			TOLLERANZE: UNI 5307	SCALA	DENOMINAZIONE	ESPLOSO COMPONENTI CARCASSA FORNO		DISEGNATO:
3			da 1 a 6 ±0,08		MATERIALE	MODELLO	FORNO 914RXS	VERIFICATO
2			da 6 a 18 ±0,12	DATA	TRATTAMENTO	FILE	ESP30081-A	DISEGNO
1			da 18 a 50 ±0,18	09/02/2012				
	RELEASE	MODIFICHE	da 50 a 80 ±0,23					
		FIRMA	da 80 a 120 ±0,27					
			da 120 a 250 ±0,33					
			da 250 a 400 ±0,42					
			da 400 a oltre ±0,50					

PIRON SRL

SPARE PART LIST P914RXS

CODE		DRAW NUMBER	UM	QUANTITY
VET00080		10	PZ	1
VET30003	COMPLETE INTERNAL GLASS DOOR	1	PZ	1
PER30001	DOOR HINGE PIN IX304 934/936	16	PZ	1
PER30005	DOOR HINGE PIN IX304 904,906,910	122	PZ	1
PIA30015	HINGE DOOR PLATE IX304 F900	69	PZ	2
PIA30005	HINGE HANDLE PLATE IX430 934.936	5	PZ	1
PIA30016	INTERNAL GLASS LOCKER PLATE F900	2	PZ	2
LAN30005	INSULTATION WOOD FON 800/904	72	PZ	1
LAN30007	INSULTATION WOOD F904	71	PZ	1
MOL30001	PRE GALVANIZED SPRING 0,8	92	PZ	12
MOT30002	GEAR 120W+CONDENSATOR	63	PZ	2
MUF30008	MUFFLE	53	PZ	1
PIA30014	BULB PLATE	82	PZ	4
RES30006	CIRCULAR ELEMENTS 4000 WATT	50	PZ	2
TER30008	THERMOSTAT	74	PZ	1
TUB30010	EXHAUST CHIMNEY	61	PZ	1
TUB30026	STEAM CHIMNEY	59	PZ	2
VEN30004	FAN V200X43	64	PZ	2
PRG30005	INVERTER DEVICES	39	PZ	1
SUP30114	INVERTER BOARD SUPPORT SERIES 900	36	PZ	1
TEL30002	COUNTER 6A 4P 230 VAC 50/60 HZ 25A	40	PZ	2
COM30001	OVEN SWITCH 0020	21	PZ	1
TER30004	THERMOSTAT (POWER) OVENS 900	24	PZ	1
TER30003	THERMOSTAT (TEMPERATURE) OVENS 900	23	PZ	1
CRU60090	MANUAL DASHBOARD OVEN 914	20	PZ	1
DEF30007	AIR DEFLECTOR OVEN 934	49	PZ	1
DIS30002	CLIP CABLE STANDOFF	121	PZ	1
ELE30005	ELECTRIC VALVE	62	PZ	1
FAC30002	UPPER WALL IX430	54	PZ	1
FAC30014	UNDERNEATH COMPLETE WALL	66	PZ	1
FIA30037	LOWER LATERAL SIDE	76	PZ	1
FIA30040	RIGHT LATERAL SIDE	34	PZ	1
FIA30039	LEFT LATERAL SIDE	51	PZ	1
FON30054	BACK UPPER SIDE OVEN 430	55	PZ	1
FON30061	BACK SIDE 904 GALVANIZED	29	PZ	1
FON30049	STEAM DRAIN PROTECTION SIDE	30	PZ	1
FRO30200	STEACKER FOR P/G914RXS C. LOG.	70	PZ	1
GUA30002	GASKET	52	MT	2,2
IND30001	GREEN LIGHT	28	PZ	1
IND30002	RED LIGHT	26	PZ	2
LAM30003-A	LIGHT HOLDER	113	PZ	2
MAG30001-A	HANDLE SPRING	9	PZ	1
MAG30001-B	CLOSURE DOOR DEVICE	3	PZ	1
MAN30008	OVEN KNOB BLACK AND WHITE	27	PZ	4
MOR30001	TERMINAL 6-16 MMQ	38	PZ	1
MOR30002	TERMINAL PA223	37	PZ	1
PIA30036	UPPER INTERNAL FIXING DOOR PLATE	18	PZ	1
PIA30035	LOWER INTERNAL FIXING DOOR PLATE	12	PZ	1
PUL30004	DOOR SWITCH	19	PZ	1
RAC30001	BLACK PLASTIC JOINT 8MM DIAMETER	115	PZ	3
RAC30003	BLACK PLASTIC ANGULAR JOINT 8MM DIAMETER	114	PZ	2
SUP30098	UNDERNEATH DOOR HINGE SUPPORT	11	PZ	1
SUP30104	UPPER DOOR HINGE SUPPORT	17	PZ	1
SUP30017	DASHBOARD DOOR HINGE SUPPORT	35	PZ	1
SUP30106	DOOR CLOSURE SUPPORT	33	PZ	1
SUP30060	SWITCH SUPPORT (OVENS FE)	86	PZ	4
TUB30006	HUMIDITY DEFLECTOR PIPE (OVEN IX304)	48	PZ	2
TUB30028	8X6 MM. PIPE	84	MT	2,3
VAS30002	PVC PAN	46	PZ	1
DAD30005	SELF BRAKE NUT	99	PZ	2
GRI30002	LATERAL GRID	80/81	PZ	2
PIE30003	ADJUSTABLE	42	PZ	4
VIT30001	LOCKER SCREW FOR GRIDS	47	PZ	2
VIT30042	INSERT SCREW M5	101	PZ	8