



C 150

LIST OF THE EXPLODED VIEWS



SHELL ASSY

COOLING SYSTEM

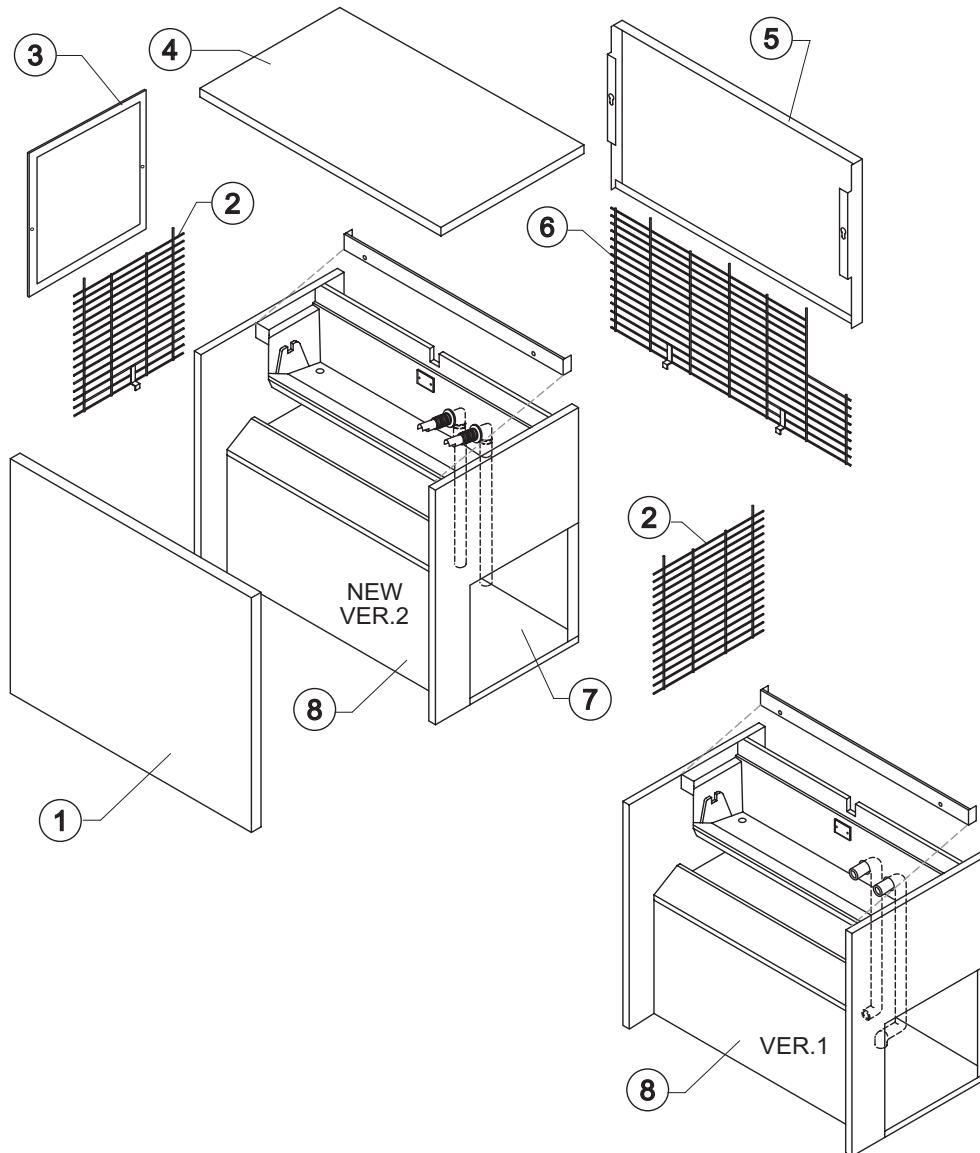
HYDRAULIC CIRCUIT

ELECTRIC PARTS



C 150

SHELL ASSY



Ref.	Spare Description	Code
1	Front Panel Assembly	C22125B
2	Side Grid	D12036
3	Filter	Air Cooled Version 18163
4	Top Assembly	C22124
5	Rear Panel	22127
6	Rear Grid	Current Version D12068
6	Rear Grid	Till s/n. 123682 D12035
7	Base Plate	21078
8	Foamed Cabinet Assy	See Table -

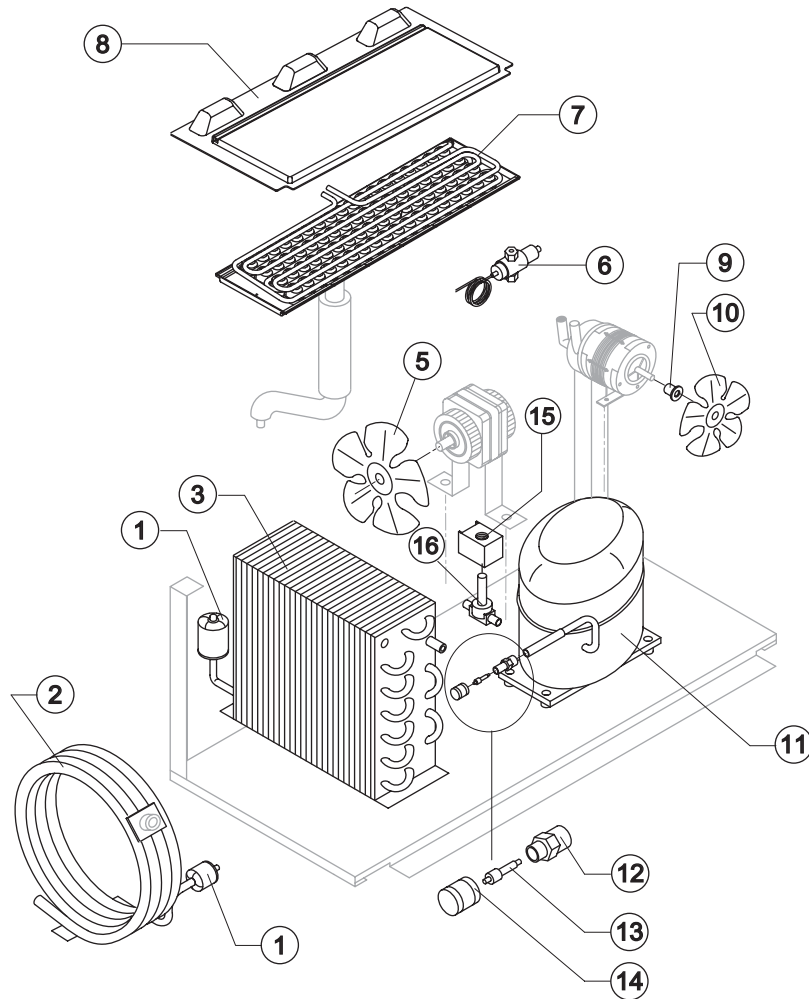
Ref. 8 - Foamed Cabinet Assy

Code	Condensation	Note
C11020A	Air	Version 2
C11020W	Water	Version 2
C11020		Version 1



C 150

COOLING SYSTEM



Common Parts

Ref.	Spare Description	Code
1	Solid Core Drier	14084
7	Evaporator	See Table
8	Evaporator Cover Panel	Current Version 10454
8	Evaporator Cover Panel	Till s/n. 226491 10058
9	Fan Fixing Hub	10014
10	Sucking Fan	10213
11	Compressor	See Table
12	Vacuum-Charge Valve Body	14007
13	Vacuum-Charge Valve Device	14005
14	Vacuum-Charge Valve Plug	14006
15	Hot Gas Valve Coil	See Table
16	Hot Gas Valve Body	20409

Parts for Air-Cooled Version Only

Ref.	Spare Description	Code
3	Air Condenser	Current Version 20924
3	Air Condenser	Till s/n. 439805 20426
3	Air Condenser	Till s/n. 43017 20148
4	Conveyor	Only T13 10238
5	Sucking Fan (Current Version)	T11, T12 20407
5	Sucking Fan (Till s/n. 43017)	T11, T12 20153
5	Sucking Fan	T13 20031

Parts for Water-Cooled Version Only

Ref.	Spare Description	Code
2	Water Condenser	14081
5	Sucking Fan	Till s/n. 219565 10213
6	Pressostatic Valve	20210

Ref. 7 - Evaporator

Kind of Cube	Code
18 g. (Standard)	D10214
33 g.	D10092
13 g.	D10126
42 g.	D10477

Ref. 11 - Compressor

Tension	Code
T11	23878
T12	23874
T13	23586
T19	23586

Ref. 15 - Hot Gas Valve Coil

Tension	Code
T11	23091
T12	23091
T13	23256
T19	23256

Rev. 7 - 25/08/2009



C150

HYDRAULIC CIRCUIT

Common Parts

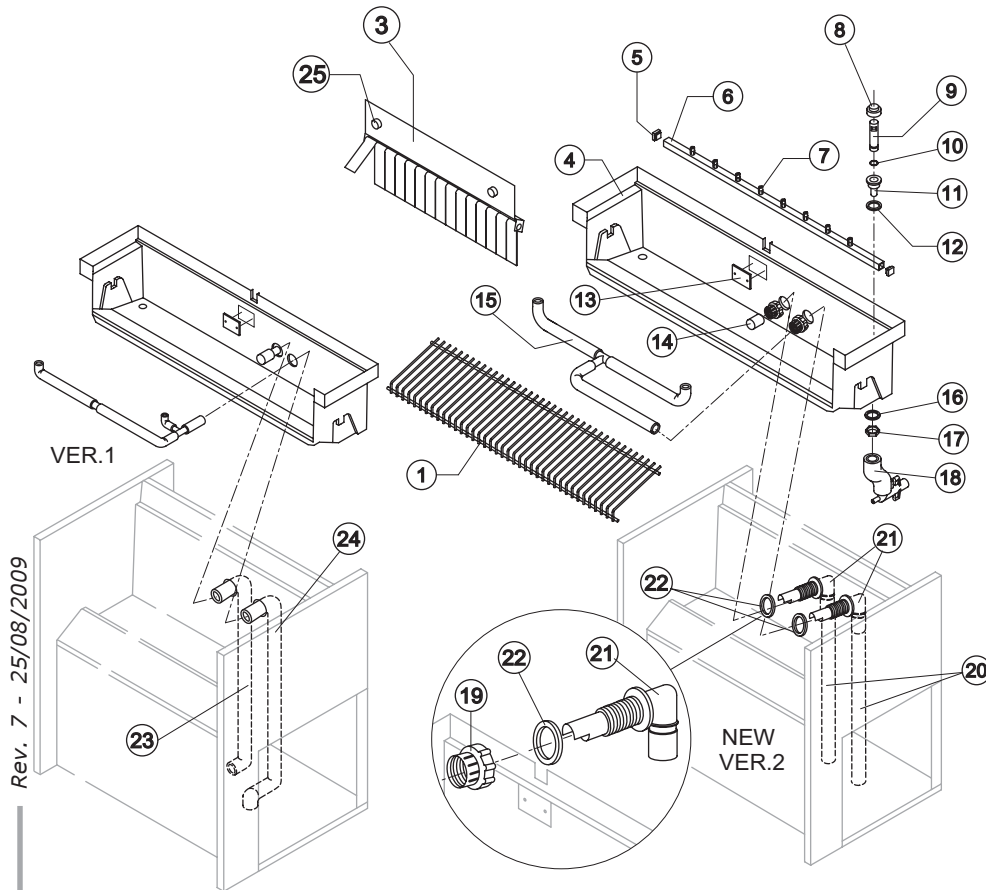
Ref.	Spare Description	Code
1	Ice Cubes Slide	See Table
3	Flags Support Assy	C22134
4	Inner Basin	10055
5	Sprayers Bar Plug	10012
6	Sprayers Bar Assembly	See Table
7	Sprayer	D20002
8	Overflow Cap	Till s/n. 243901
9	Overflow Pipe	10133
10	OR Gasket for Overflow Pipe	20233
11	Water Outlet Nipple	10472
12	Silicone Gasket	13006
13	Slide Keep Plate	Till s/n. 234237
14	Pump Suction Filter	20005
15	Sprayers Feeding Pipe Connection	C13037
16	Semirigid Polyethylene Gasket	13007
17	Bin Discharge Nut	10096
19	Fitting Locking Ring	Version 2
20	Pump Suction/Delivery Pipe	Version 2
21	Fitting of the Pump Suction/Delivery Pipes	Version 2
22	Gasket for Pump Suction/Delivery Pipes	Version 2
23	Pump Suction Pipe	Version 1
24	Pump Delivery Pipe	Version 1
25	Fixing Screw	20009

Parts for Air Cooled Version Only

Ref.	Spare Description	Code
18	Discharges Manifold	C10006

Parts for Water Cooled Version Only

Ref.	Spare Description	Code
18	Discharges Manifold	C26452



Rev. 7 - 25/08/2009

Ref. 1 - Ice Cube Slide

Kind of Cube	Code
18 g. (Standard)	D12022
33 g.	D12033
13 g.	D12040
42 g.	D12033

Ref. 4 - Sprayers Bar Ass.

Kind of Cube	Code
18 g. (Standard)	C20144
33 g.	C20157
13 g.	C20200
42 g.	C20157



C 150

ELECTRIC PARTS

Common Parts

Ref.	Spare Description	Code
2	Fan Motor	See Table
3	1 Way- Water Inlet Valve	See Table
8	Pump	See Table
10	Contactor	See Table
13	Bin Thermostat	R23421
14	Evaporator Thermostat	R23591
15	Timer	See Table
16	On/Off Rocker Switch	23327

Parts for Air-Cooled Version Only

Ref.	Spare Description	Code
9	Anti Radio Interference Filter	Only 220V 50 Hz C23459
12	Condenser Pressure Switch	See Table

Parts for Water-Cooled Version Only

Ref.	Spare Description	Code
1	Safety Thermostat	Till s/n. 105976 C23114
4	2 Ways- Water Inlet Valve (Till s/n. 123682)	See Table
5	1 Way- Water Inlet Valve	10368
11	Safety Pressure Switch	23342

Ref. 8 - Pump

Tension	Version 1	Version 2
T11	23068	23462
T12	23068	23462
T13	23264	23663
T19	-	23663

Ref. 2 - Fan Motor

Tension	Air	Water Till s/n. 219565
T11	23121	23029
T12	23121	23029
T13	23621	23683
T19	23621	-

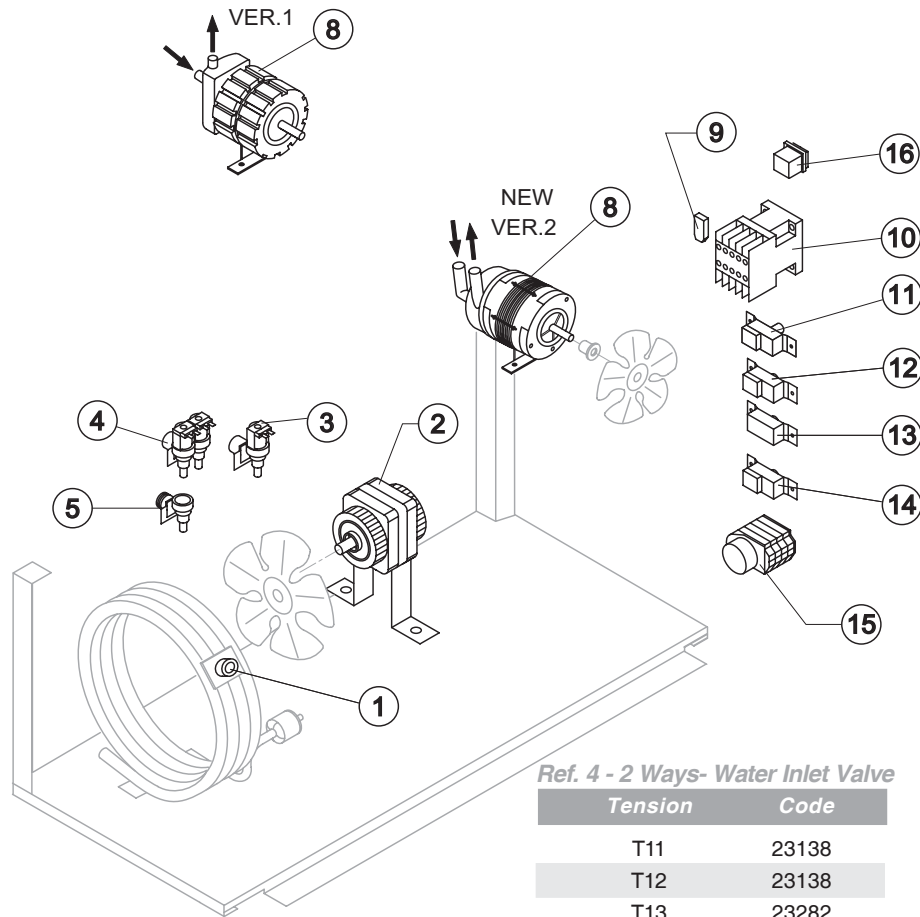
Ref. 12 - Cond. Pressure Switch

Tensione	Codice
T11	23175
T12	23175
T13	23175
T19	23680

Ref. 15 - Timer

Tension	18 g Cube	33 g Cube	13 g Cube	42 g Cube
T11	23247	23248	23472	23780
T12	23222	23780	23247	23780
T13	23833	23786	23258	23786
T19	23833	23786	23258	23786

Rev. 7 - 25/08/2009



Ref. 4 - 2 Ways- Water Inlet Valve

Tension	Code
T11	23138
T12	23138
T13	23282

Ref. 3 - 1 Way- Water Inlet Valve

Tension	18g/13g Cube	33g Cube	42g Cube
T11	23220	23220	23787
T12	23220	23787	23787
T13	23281	23789	23789
T19	23281	23789	23789

Ref. 10 - Contactor

Tension	Code
T11	23594
T12	23594
T13	23625
T19	23625