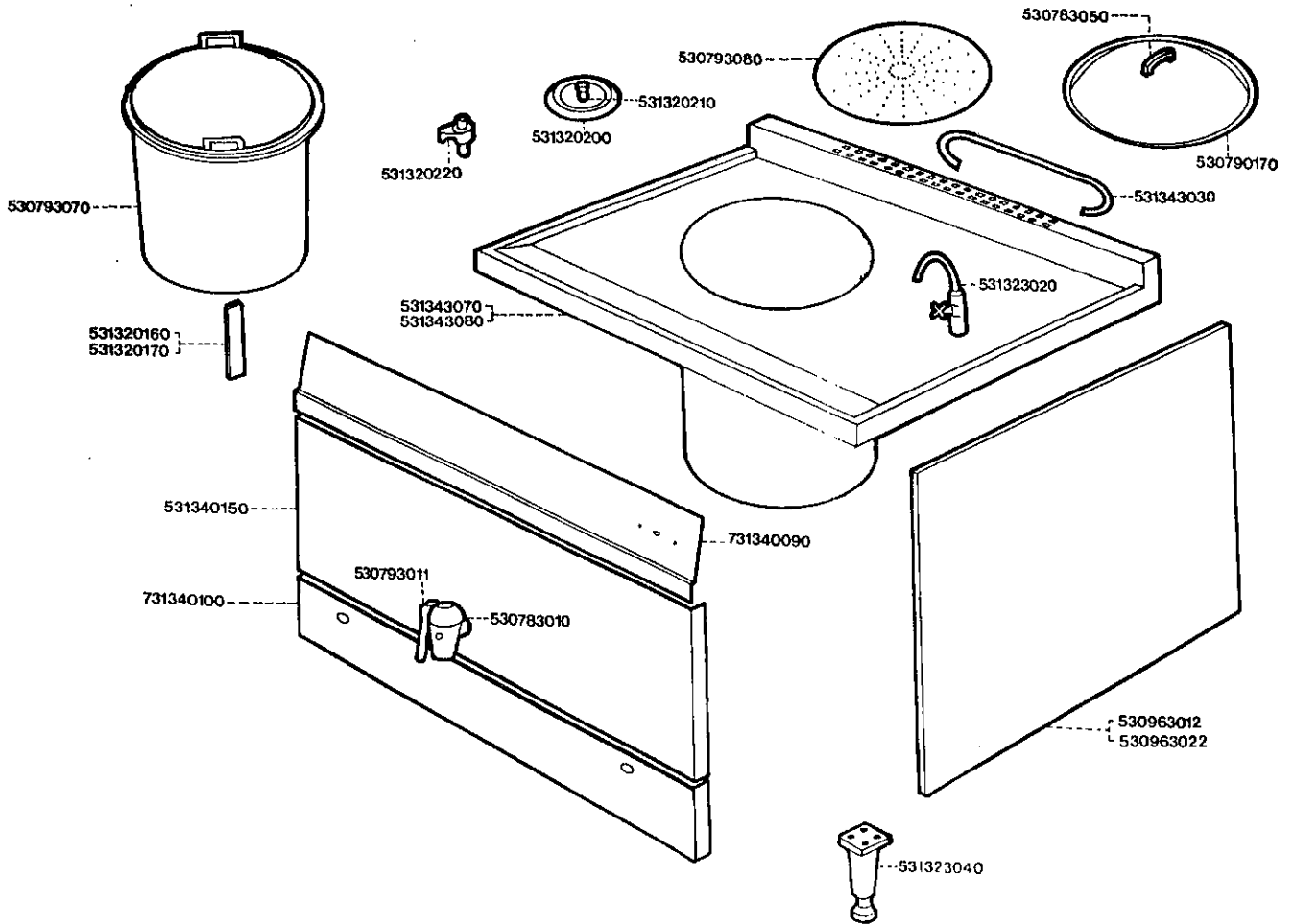


E3080 20 GALLON BOILING PAN

Fitments



Code	No.	Description
K09	530783010	Draw Off Cock
C07	530783050	Pan Lid Handle Assembly
J03	530790170	Pan Lid c/w Handle
D07	530793011	Draw Off Cock Handle
N09	530793070	Lift Out Pan (Dual Purpose Only)
H06	530793080	Strainer
G05	530963012	Outer Side Panel — L.H.
G05	530963022	Outer Side Panel — R.H.
D02	531320160	Side Trim — L.H.
D02	531320170	Side Trim — R.H.
D01	531320200	Filler Cup Lid c/w Knob (Dual Purpose Only)
B04	531320210	Filler Cup Lid Knob (Dual Purpose Only)
B12	531320220	Pan Clamp (Dual Purpose Only)
J02	531323020	Swivel Tap
B09	531323040	Adjustable Leg
F10	531340150	Front Panel
F01	531343030	Bottom Front Panel
P06	531343070	Pan and Hob Assembly (Dual Purpose)
P04	531343080	Pan and Hob Assembly (Single Purpose)
E04	731340090	Control Panel
F05	731340100	Bottom Front Panel

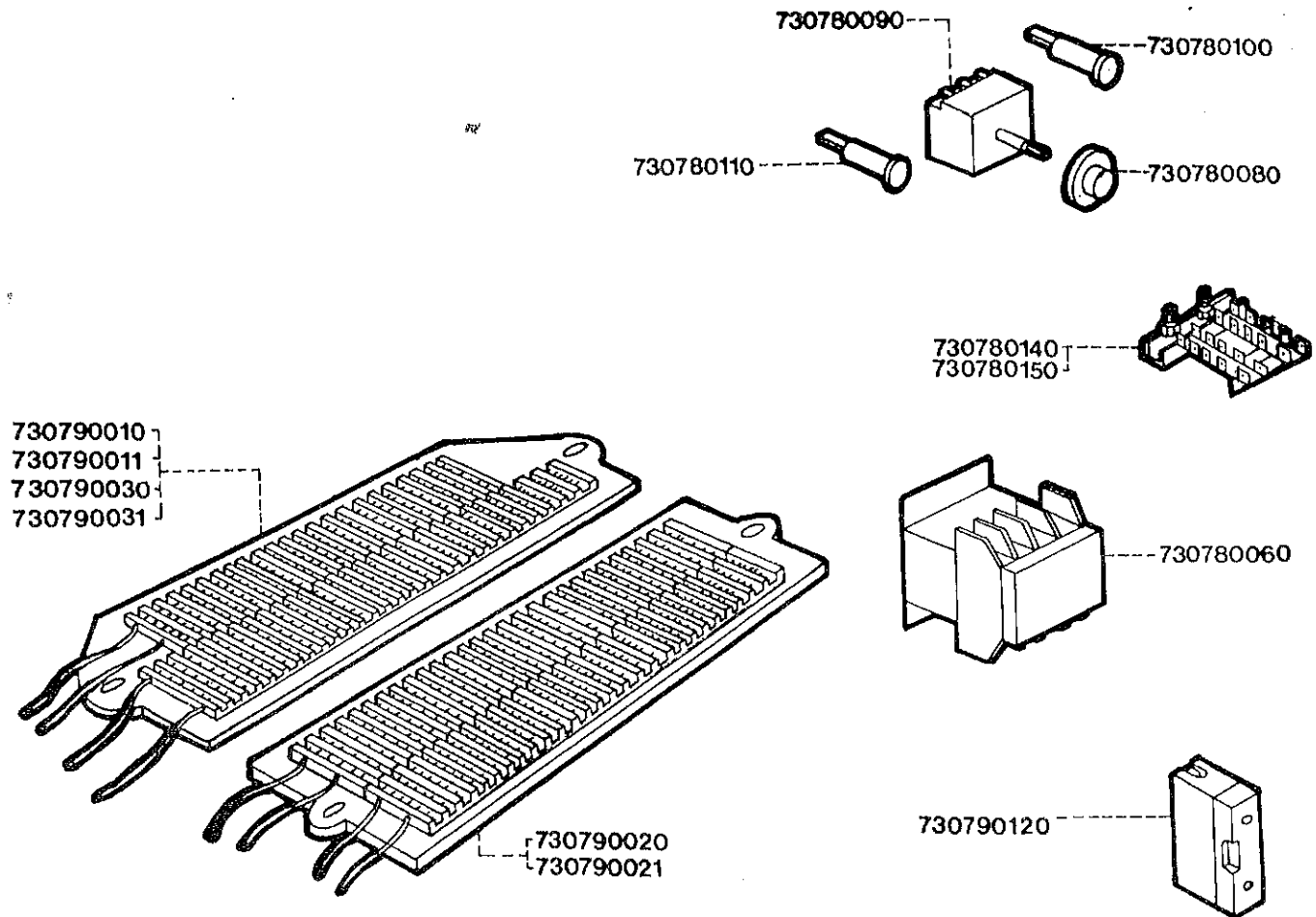
Sheet Reference Number

E3080/1287/003

**Falcon Catering
Equipment**
Commercial and institutional
catering equipment



Falcon Catering Equipment is a
business name of
Glynwed Consumer & Building Products Ltd
a member of the
Glynwed International plc
group of companies



Code	No.	Description
G10	730780060	Contactors
B08	730780080	Control Knob
C11	730780090	Simmerstat
B07	730780100	Neon Indicator — Red
B07	730780110	Neon Indicator — Amber
B06	730780140	Terminal Block L — N
B06	730780150	Terminal Block L2 — L3
K01	730790010	Element Assembly, 240V — L.H.
K03	730790011	Element Assembly, 220V — L.H.
K07	730790020	Element Assembly, 240V — Centre
K08	730790021	Element Assembly, 220V — Centre
K01	730790030	Element Assembly, 240V — R.H.
K03	730790031	Element Assembly, 220V — R.H.
D05	730790120	Dennis Fuse — 20A

Sheet Reference Number

E3080/1287/004

**Falcon Catering
Equipment**
Commercial and institutional
catering equipment



Falcon Catering Equipment is a
business name of
Glynwed Consumer & Building Products Ltd
a member of the
Glynwed International plc
group of companies