

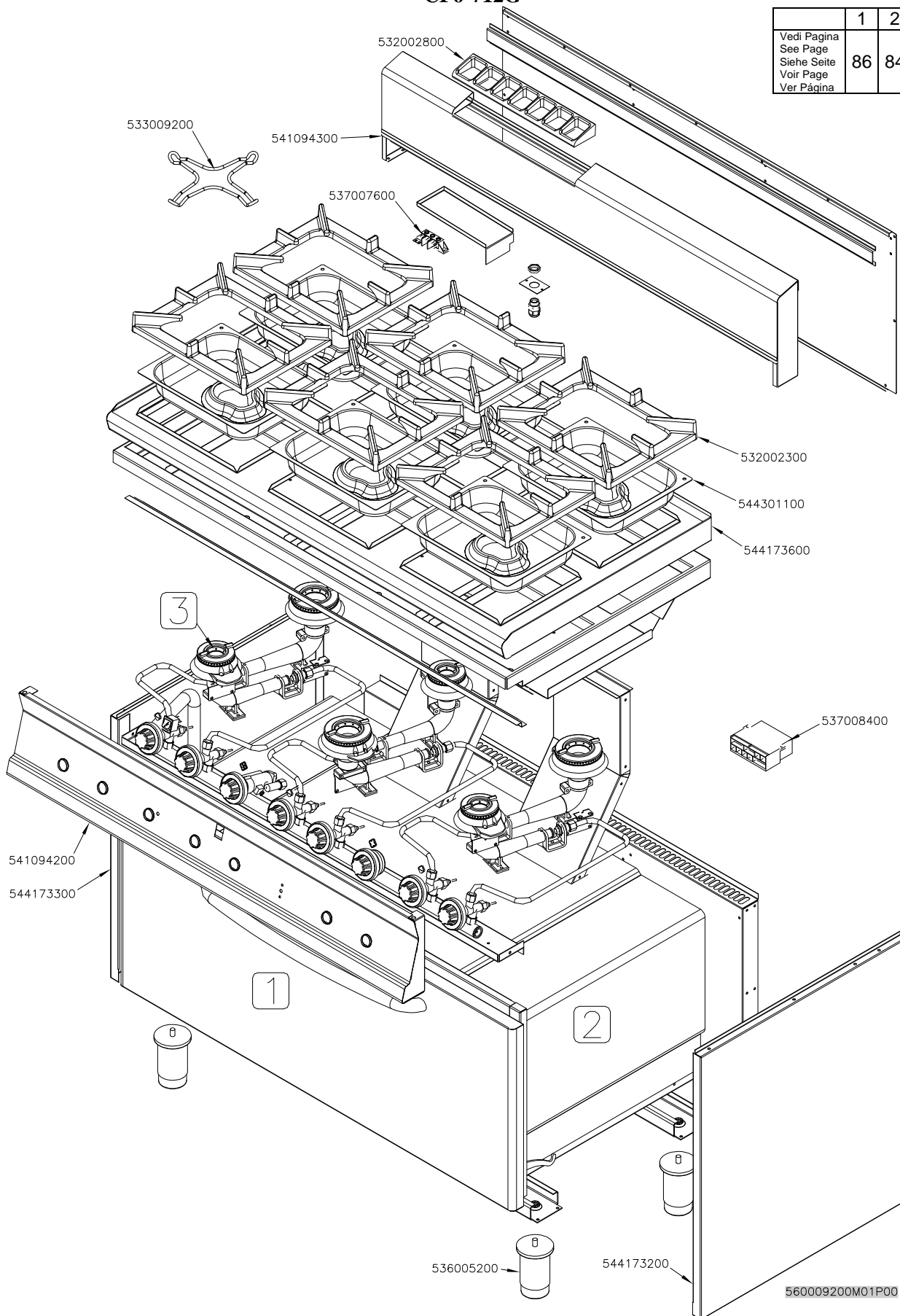
SUPERLOTUS 70₂0601

CUCINE / RANGES / HERDE / CUISINIÈRES

CF...6-712

CF6-712G

	1	2	3
Vedi Pagina See Page Siehe Seite Voir Page Ver Pagina	86	84	93

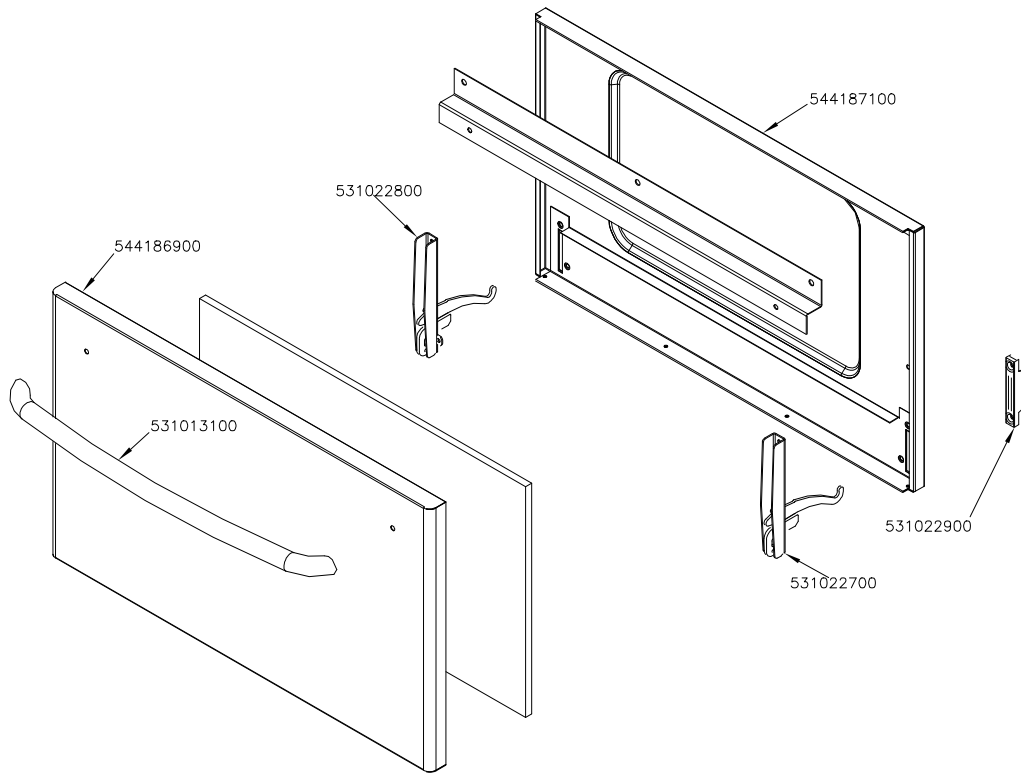


SUPERLOTUS 70≤0601

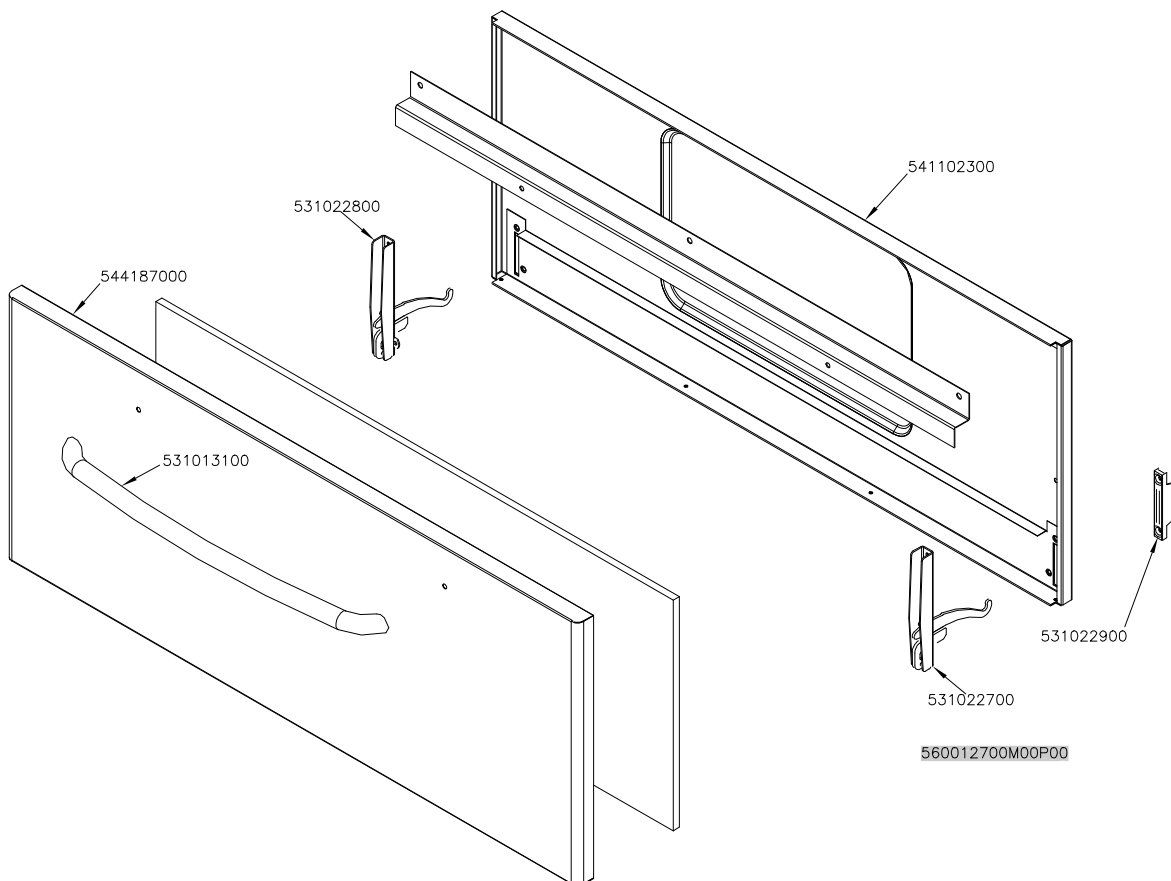
CUCINE / RANGES / HERDE / CUISINIÈRES
FORNO / OVEN / BACKOFEN / FOUR

PORTE / DOORS / TÜREN / PORTES

GN 2/1



GN 3/1

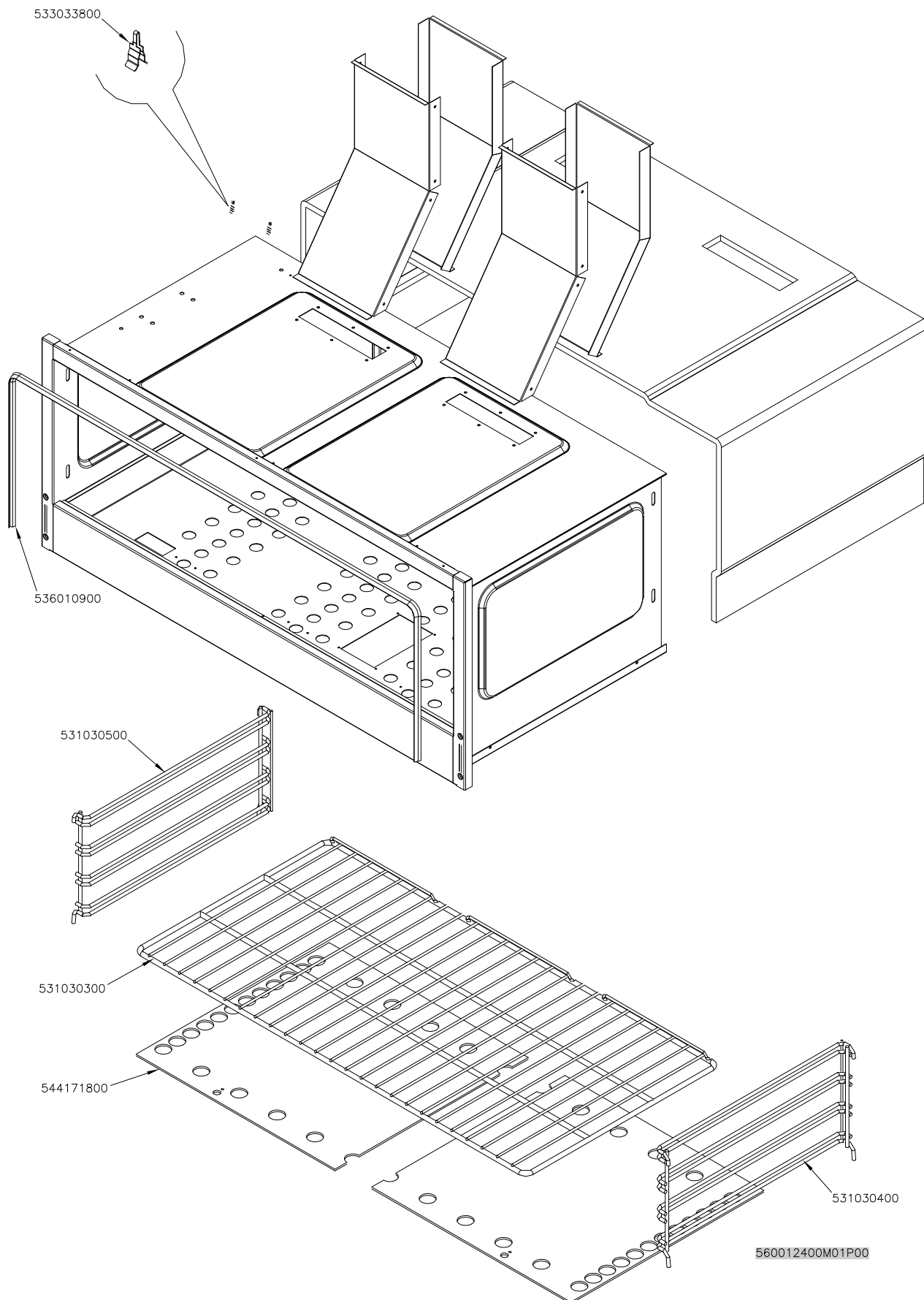


SUPERLOTUS 70₂0601

CUCINE / RANGES / HERDE / CUISINIÈRES

FORNO / OVEN / BACKOFEN / FOUR

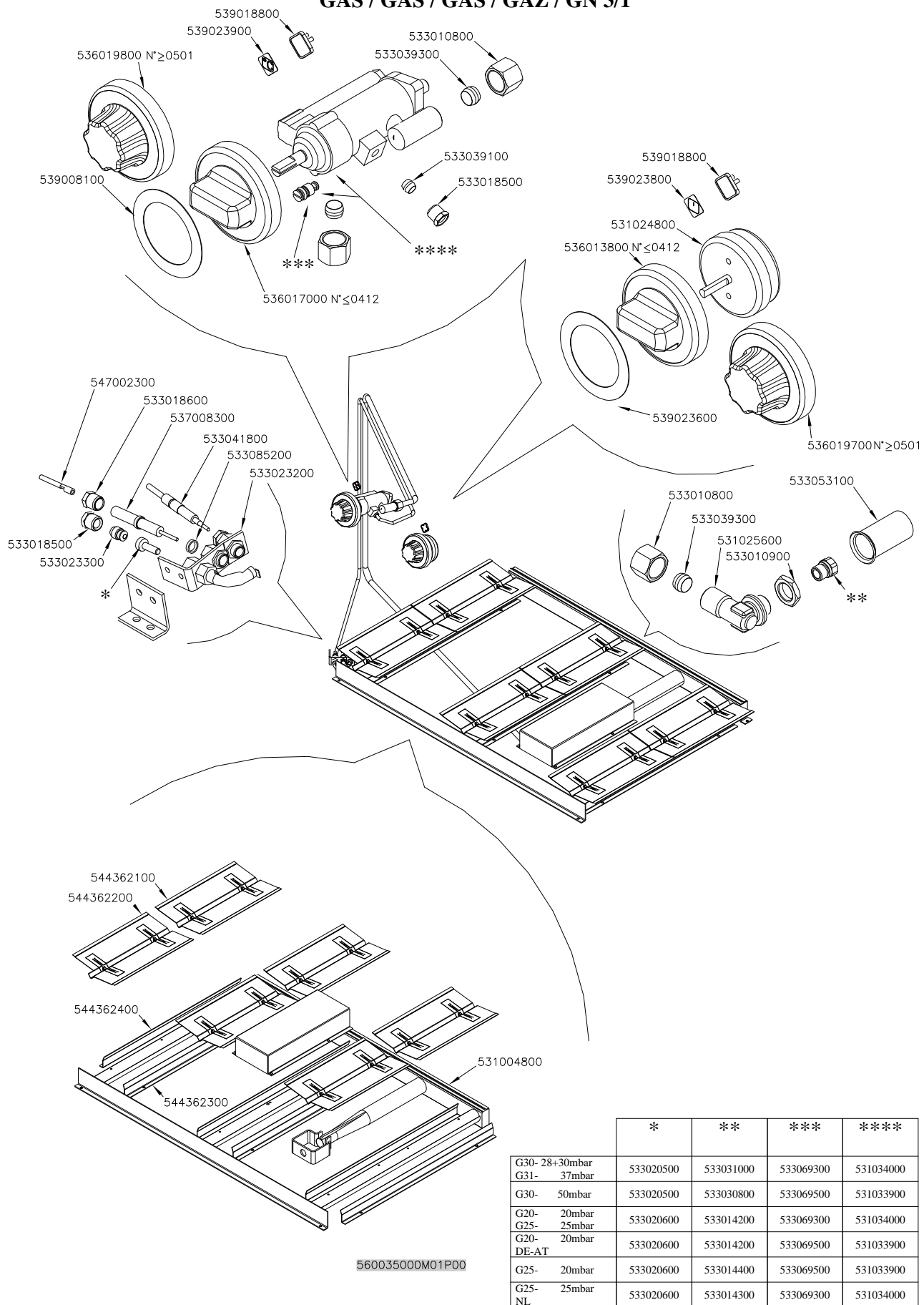
GAS / GAS / GAS / GAZ / GN 3/1



SUPERLOTUS 70≤0601

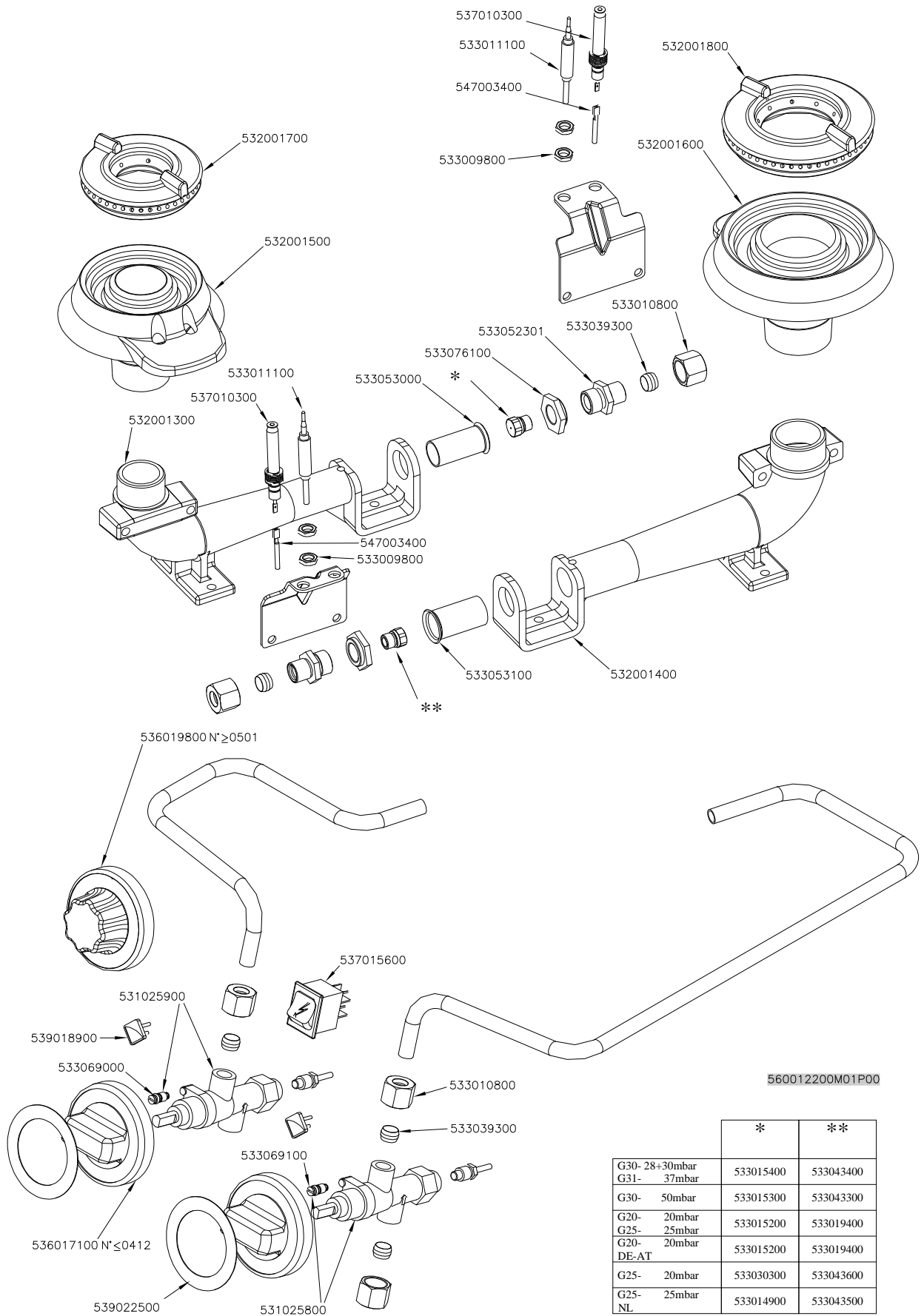
CUCINE / RANGES / HERDE / CUISINIÈRES
FORNO / OVEN / BACKOFEN / FOUR

GAS / GAS / GAS / GAZ / GN 3/1



	*	**	***	****
G30- 28+30mbar	533020500	533031000	533069300	531034000
G31- 37mbar				
G30- 50mbar	533020500	533030800	533069500	531033900
G20- 20mbar	533020600	533014200	533069300	531034000
G25- 25mbar				
G20- 20mbar	533020600	533014200	533069500	531033900
DE-AT				
G25- 20mbar	533020600	533014400	533069500	531033900
G25- 25mbar	533020600	533014300	533069300	531034000
NL				

PC-G



Page	Pos	Code	Description
001		532002800	GRID FOR PIPE L=370 S.70
001		533009200	REDUCTION FOR 65 AND 70 LINE
001		541094300	SPACER 712G - 1 LHD DRAIN
001		537007600	TERMINAL BLOCK SINGLEPHASE 40A
001		532002300	1 FLAME GRILL 346X274 (70)
001		544301100	ENAMELLED BURNER DRIP PAN 1/2
001		544173600	UPPER PLATE PC-712G CF6-712G/GV
001		537008400	IGNITION UNIT 8 FLAMES V230
001		541094200	CONTROL PANEL CF6-712G CF6-712GV
001		544173300	LEFT SIDE PANEL RANGE S.70
001		536005200	INOX LEG 2" 120-180 M10
001		544173200	RIGHT SIDE PANEL RANGE S.70
002		544187100	OVEN INNER DOOR GN 2/1 S.70
002		531022800	LEFT OVEN DOOR HINGE S.70
002		531022900	HINGE DOOR WHEEL HOLDER S.70
002		531022700	RIGHT OVEN DOOR HINGE 70LINE
002		544186900	OVEN DOOR GN 2/1 S.70
002		531013100	OVEN DOOR HANDLE OF 70/90-LINE
002		541102300	GAS OVEN INNER DOOR GN 3/1 S.70
002		544187000	OVEN DOOR GN 3/1 S.70
003		533033800	LOCK SPRING FOR BULB §6
003		536010900	GAS OVEN GASKET GN 3/1 (1620)
003		531030500	LHD SUPPORT GRID FOR OVEN OF 70LINE
003		531030300	OVEN GRID GN 3/1 FOR 70 LINE
003		544171800	BOTTOM FOR GAS OVEN GN3/1 70 LINE
003		531030400	RHD SUPPORT GRID FOR OVEN OF 70LINE
004		539018800	INDEX FOR OVEN KNOB
004		539023900	SIGN PLATE FOR OVEN TEMPERATURE
004		536019800	BLACK KNOB §70 PIN §8*6,5
004		533010800	TUBE NUT D.10 M16*1,5
004		533039300	BICONE §10
004		533039100	BICONE §6
004		533018500	FITTING FOR BICONE D.6 M10*1
004		536017000	BLACK KNOB §70 PIN §8*6,5
004		539008100	ADHESIVE GRADUATED DISC FOR KNOB
004		539023800	SIGN PLATE FOR OVEN TIMER
004		531024800	TIMER 120'- 360°
004		536013800	KNOB D.70 BLACK 6*5 WITH SPRING
004		539023600	ADHESIVE GRADUATED DISC FOR KNOB
004		536019700	BLACK KNOB §70 PIN §6*5
004		533053100	AIR ADJUSTMENT BUSHING §20
004		531025600	ELBOW 90° NOZZLE-HOLDER §10 PIPE
004		533010900	NUT M14*1 H.4
004		547002300	HIGH-VOLTAGE CABLE §2 L=1900
004		533018600	PLUG FITTING
004		537008300	ROUND PLUG §2,4- LONG ELECTRODE
004		533041800	THERMOCOUPLE 1500 M9*1
004		533085200	
004		533023200	"TARGET" PILOT + NIPPLE TC BRAC.90°
004		533023300	BICONE §6 ("TARGET" PILOT)
004		544362100	UPPER BURNER DEFLECTOR FOR OVEN 70

Page	Pos	Code	Description
004		544362200	UPPER PILOT DEFLECTOR FOR OVEN 70
004		544362400	SIDE PILOT DEFLECTOR FOR OVEN 70
004		544362300	SIDE BURNER DEFLECTOR FOR OVEN 70
004		531004800	BURNER FOR OVEN GN 3/1 S.70
004		533020500	NOZZLE 0.140 §19
004		533031000	NOZZLE §175 CH12X14
004		533069300	BY PASS COCK §100 25ST
004		531034000	GAS COCK 25ST P.O. BY-PASS §100
004		533030800	NOZZLE §155 CH12X14 M-CW
004		533069500	BY PASS COCK §085 25ST
004		531033900	HORIZON.THERMOSTATIC TAP BYPASS §85
004		533020600	NOZZLE 0.140 §27
004		533014200	NOZZLE §270 CH12*14 OVEN GN 3/1
004		533014400	NOZZLE §300 CH12*14 OVEN GN 3/1
004		533014300	NOZZLE §285 CH12*14
005		537010300	PLUG IGNITION WITH SPRING PC65
005		533011100	THERMOCOUPLE 600 M8*1
005		547003400	HIGH-VOLTAGE CABLE L=900
005		533009800	BRASS NUT M8*1
005		532001800	QUICKBURNER §102
005		532001600	BURNER BODY 5,5 KW
005		532001700	QUICKBURNER §82
005		532001500	BURNER BODY 3,5 KW
005		533010800	TUBE NUT D.10 M16*1,5
005		533039300	BICONE §10
005		533052301	JOINT FOR NOZZLE HOLDER
005		533076100	HEXAGONAL NUT M14X1 H4 + BUSHING
005		533053000	AIR ADJUSTMENT BUSHING §18
005		532001300	BURNER VENTURI 3,5 KW
005		533053100	AIR ADJUSTMENT BUSHING §20
005		532001400	BURNER VENTURI 5,5 KW
005		536019800	BLACK KNOB §70 PIN §8*6,5
005		531025900	SAFETY TAP 20S-B PEL20S21070
005		539018900	INDEX FOR KNOB
005		533069000	BY PASS COCK §70 20S-21S
005		536017100	BLACK KNOB §70 PIN §8*6,5
005		539022500	ADHESIVE GRADUATED DISC FOR KNOB
005		537015600	BIPOLAR SWITCH
005		533069100	BY PASS COCK §60 20S
005		531025800	SAFETY TAP 20S-B PEL20S2160
005		533015400	NOZZLE §93 CH12*14 G-PC4 R
005		533043400	NOZZLE §117 CH12*14 G-PC4 UR
005		533015300	NOZZLE §82 CH12*14 F-PC4 R
005		533043300	NOZZLE §103 CH12*14 F-PC4 UR
005		533015200	NOZZLE §145 CH12*14 F-FP/CP6
005		533019400	NOZZLE §180 CH12*14 L-FQ5
005		533030300	NOZZLE §160 CH12*14 M-FPG
005		533043600	NOZZLE §200 CH12*14 L-PC4 UR
005		533014900	NOZZLE §150 CH12*14 F-FQ5 L-FQ6
005		533043500	NOZZLE §190 CH12*14 G25 PC4R