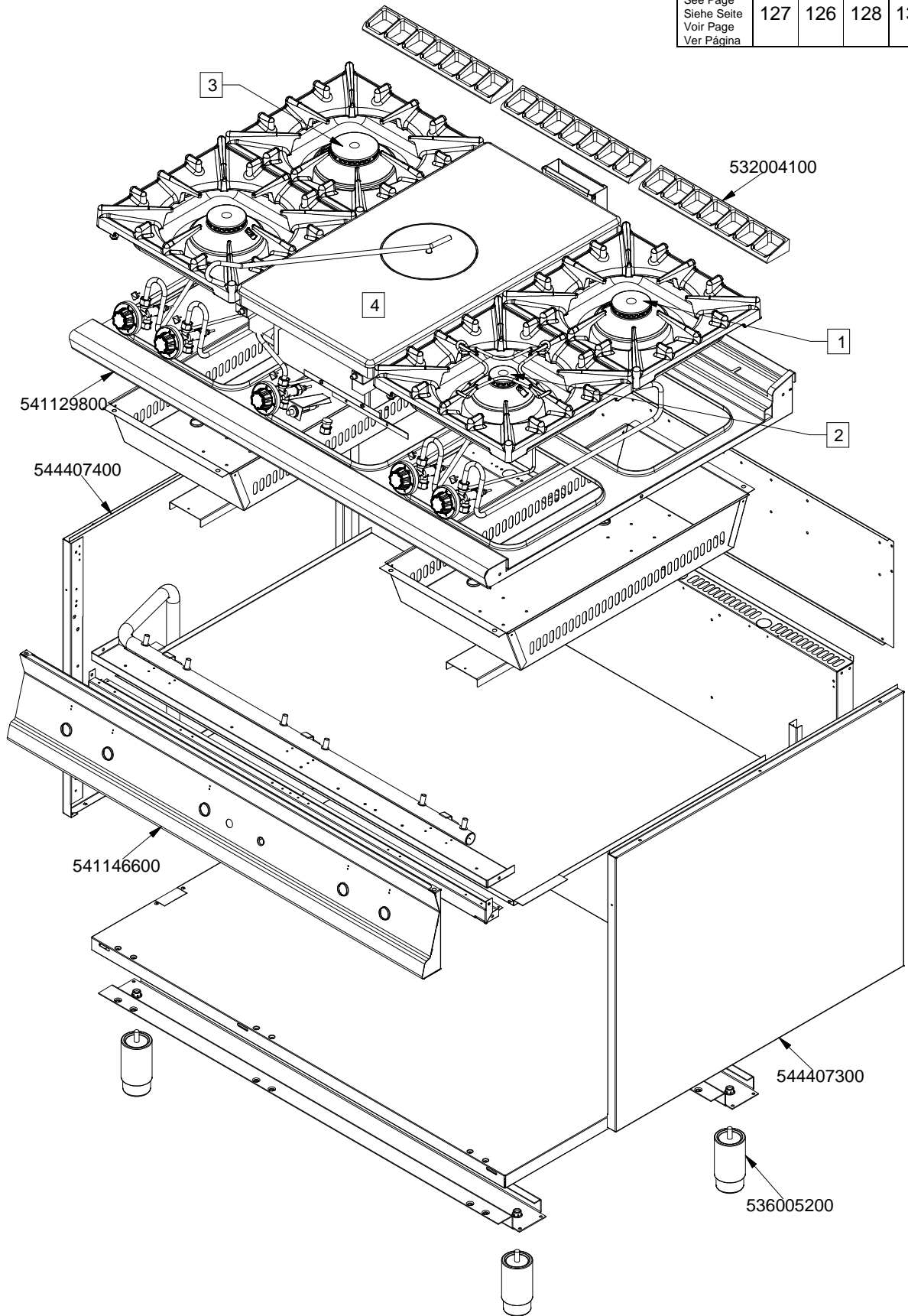


IPERLOTUS 90

GAS / GAS / GAS / GAZ

TP4-912G

	1	2	3	4
Vedi Pagina See Page Siehe Seite Voir Page Ver Página	127	126	128	132

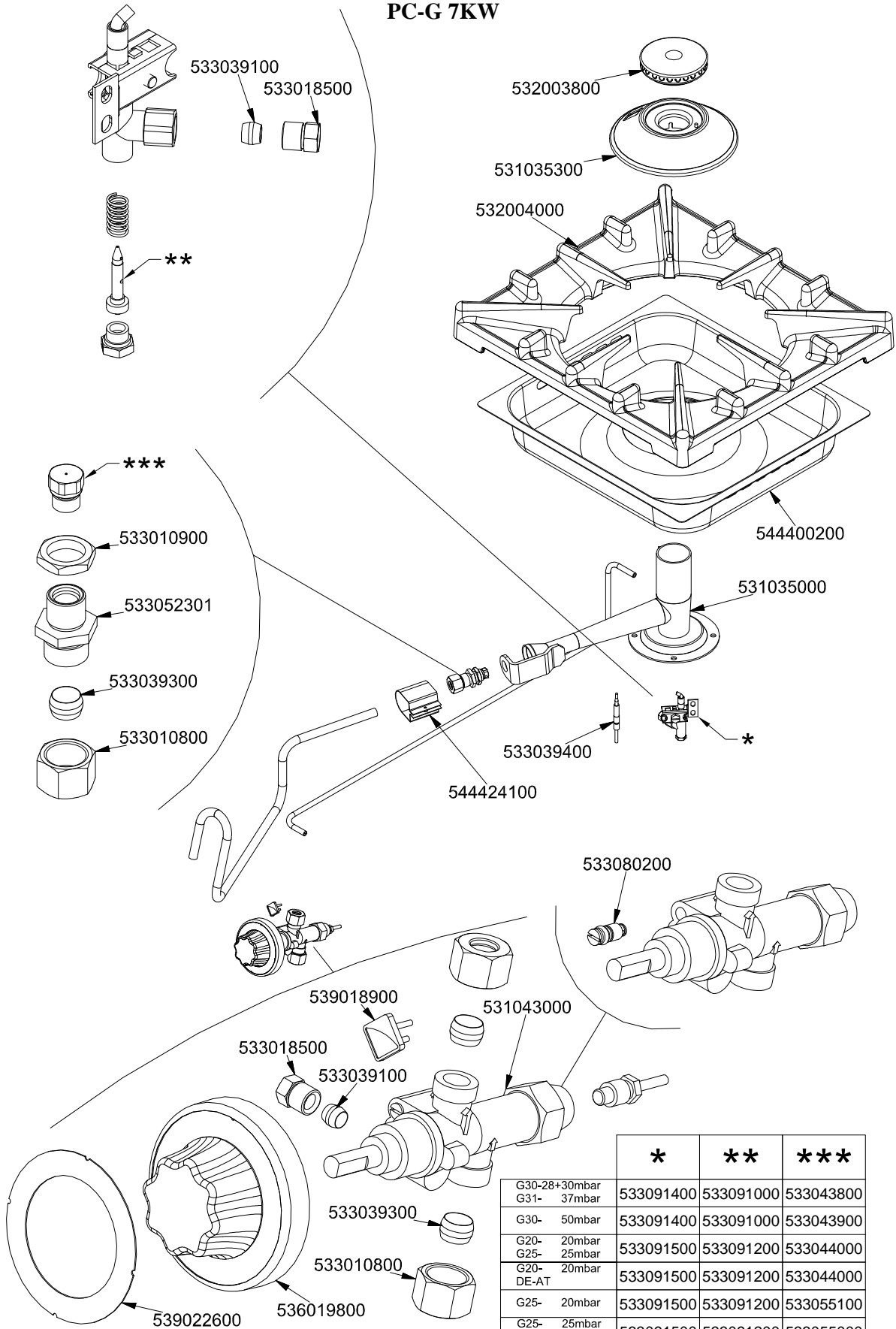


560044700M00P00

IPERLOTUS 90

COMPONENTI COMUNI / STANDARDS PARTS / UEBLICHE TEILE / COMPOSANTS COMMUNS

PC-G 7KW

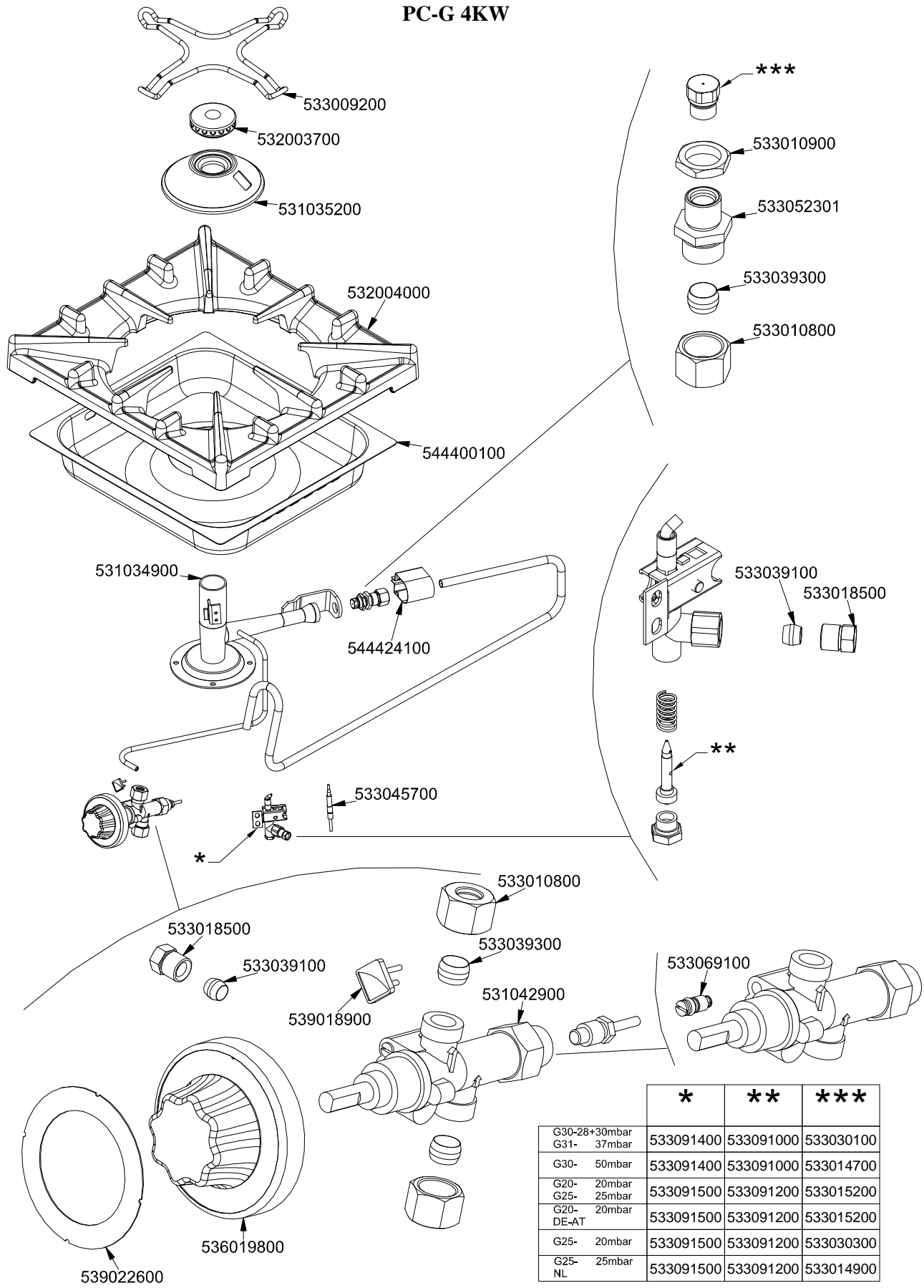


	*	**	***
G30-28+30mbar	533091400	533091000	533043800
G31- 37mbar			
G30- 50mbar	533091400	533091000	533043900
G20- 20mbar	533091500	533091200	533044000
G25- 25mbar			
G20- 20mbar DE-AT	533091500	533091200	533044000
G25- 20mbar	533091500	533091200	533055100
G25- 25mbar NL	533091500	533091200	533055000

560023200M00P00

IPERLOTUS 90
COMPONENTI COMUNI / STANDARDS PARTS / UEBLICHE TEILE / COMPOSANTS COMMUNS

PC-G 4KW



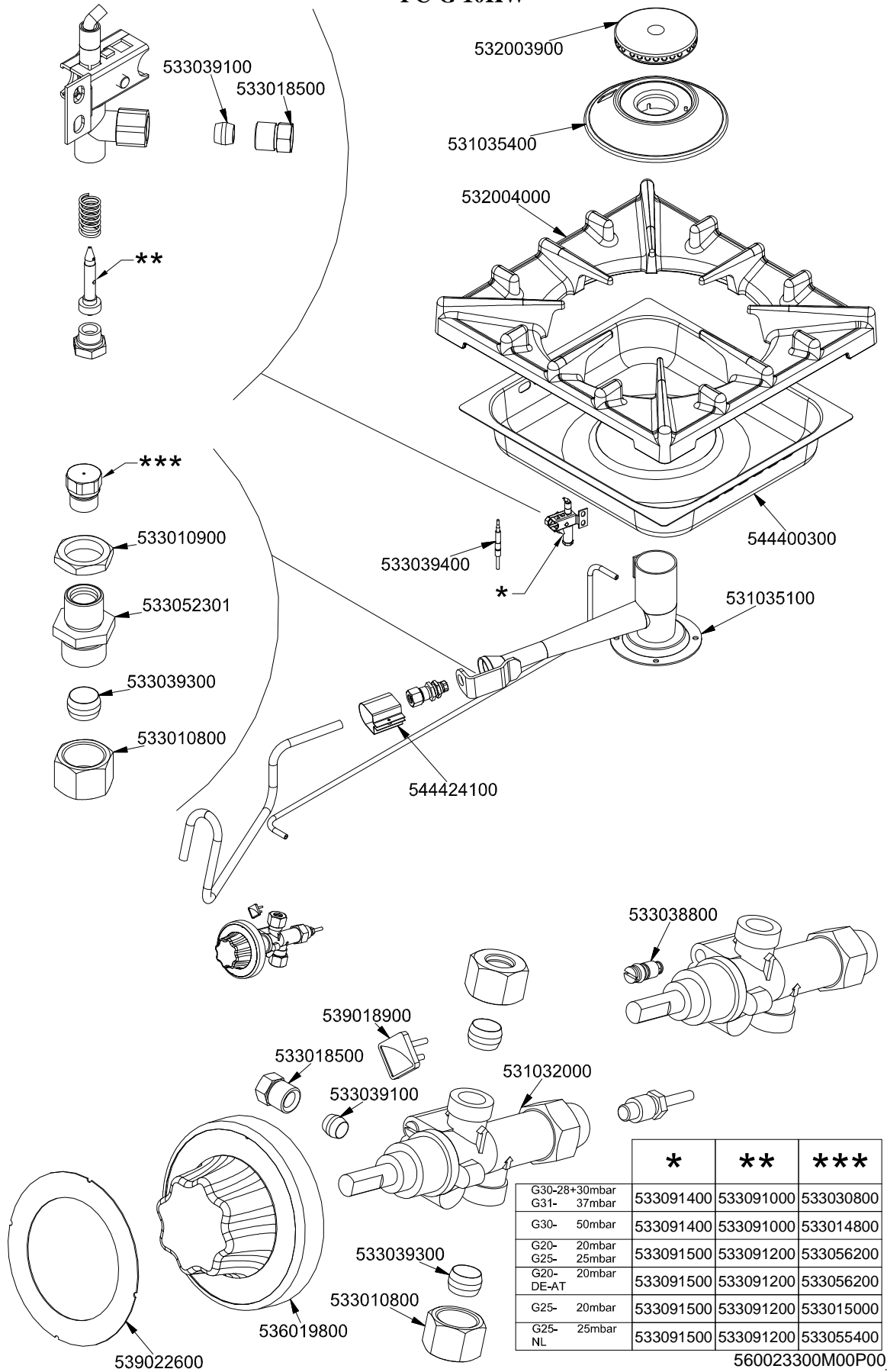
	*	**	***
G30-28+30mbar G31- 37mbar	533091400	533091000	533030100
G30- 50mbar	533091400	533091000	533014700
G20- 20mbar G25- 25mbar	533091500	533091200	533015200
G20- 20mbar DE-AT	533091500	533091200	533015200
G25- 20mbar	533091500	533091200	533030300
G25- 25mbar NL	533091500	533091200	533014900

560023100M00P00

IPERLOTUS 90

COMPONENTI COMUNI / STANDARDS PARTS / UEBLICHE TEILE / COMPOSANTS COMMUNS

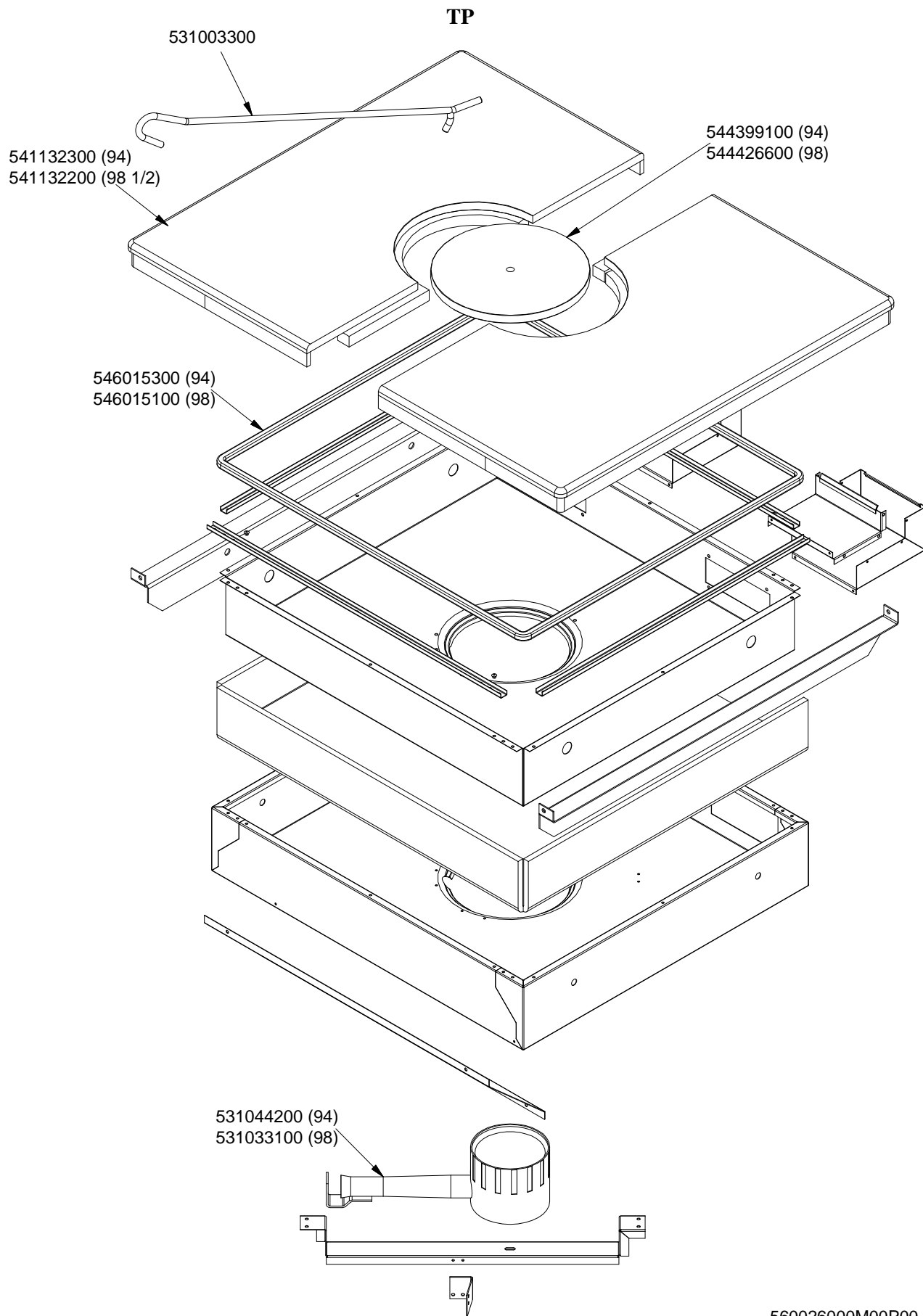
PC-G 10KW



	*	**	***
G30-28+30mbar	533091400	533091000	533030800
G31- 37mbar			
G30- 50mbar	533091400	533091000	533014800
G20- 20mbar	533091500	533091200	533056200
G25- 25mbar			
G20- 20mbar	533091500	533091200	533056200
G25- 20mbar	533091500	533091200	533015000
G25- 25mbar	533091500	533091200	533055400

560023300M00P00

IPERLOTUS 90
COMPONENTI COMUNI / STANDARDS PARTS / UEBLICHE TEILE / COMPOSANTS COMMUNS

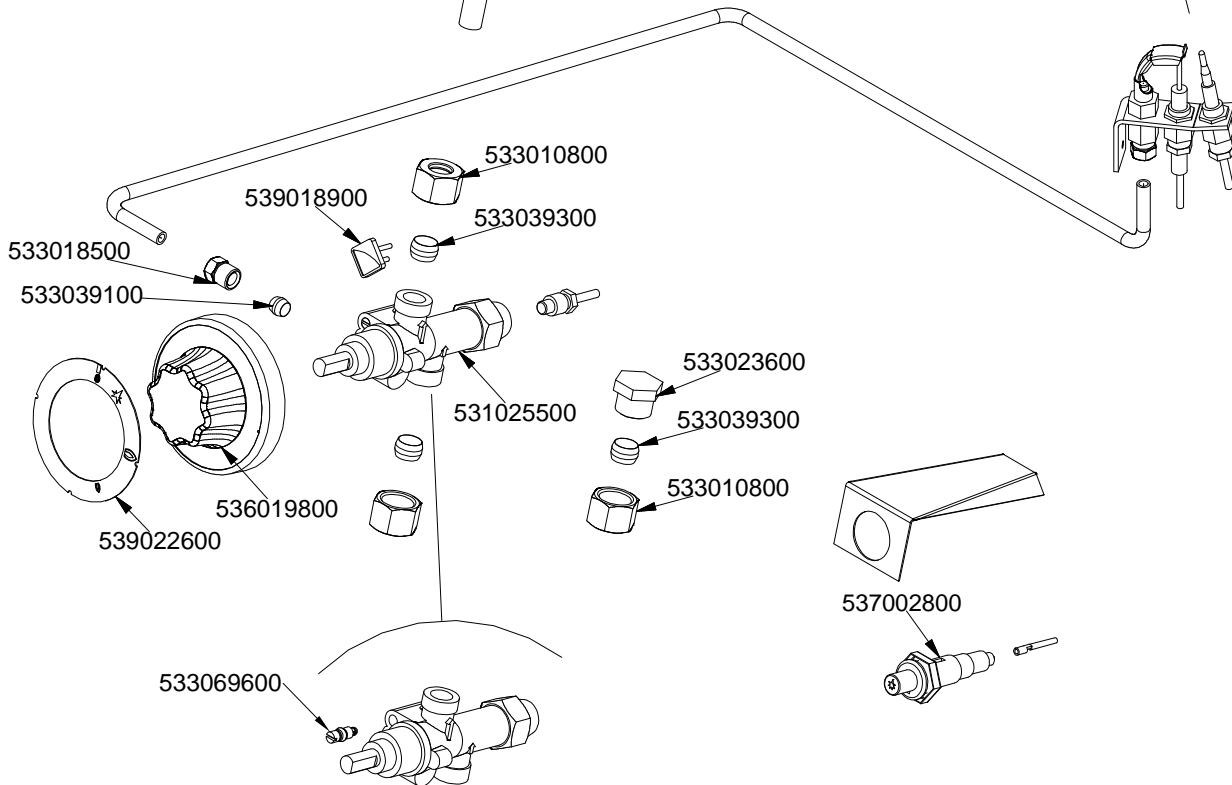
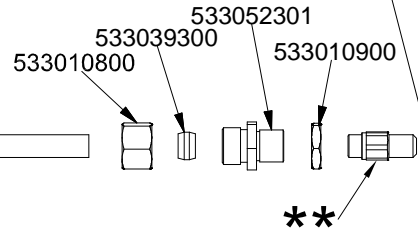
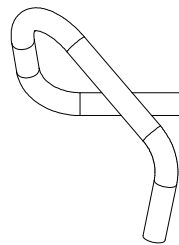
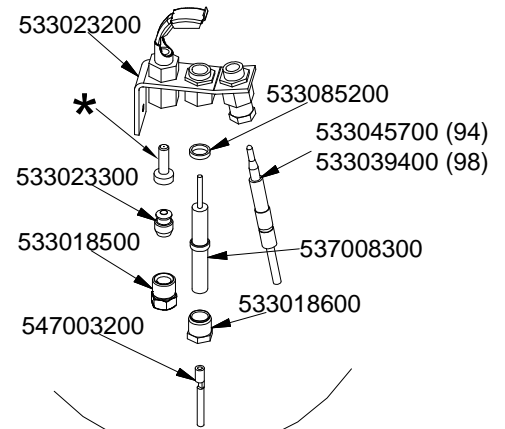


IPERLOTUS 90

COMPONENTI COMUNI / STANDARDS PARTS / UEBLICHE TEILE / COMPOSANTS COMMUNS

TP

	*	**	**
		TP-94	TP-98
G30-28+30mbar G31- 37mbar	533020500	533057700	533019600
G30- 50mbar	533020500	533057600	533046200
G20- 20mbar G25- 25mbar	533020600	533047400	533057500
G20- 20mbar DE-AT	533020600	533047400	533057500
G25- 20mbar	533020600	533047300	533032801
G25- 25mbar NL	533020600	533047500	533032001



560025900M00P00

Page	Pos	Code	Description
001		541146600	CONTROL PANEL TP4-912G
001		544407400	LEFT SIDE PANEL 70 LINE
001		541129800	UPPER PLATE TP4-912G
001		544407300	RIGHT SIDE PANEL 90 LINE
001		536005200	INOX LEG 2" 120-180 M10
001		532004100	FLUE GRID L=370 70LINE (RAF)
002		533091000	NOZZLE 0.100 §20
002		533091200	PILOT NOZZLE 0100 Ø35 PIL.PC
002		533091400	P.NOZZLE S100 UG.§20 PC90 LPG-FLUS
002		533091500	PILOT NOZZLE S.100 §30 PC90 NAT.GAS
002		533043800	NOZZLE §130 CH12*14 G-CW4
002		533043900	NOZZLE §115 CH12*14 F-CW4
002		533044000	NOZZLE §195 CH12*14 M-CW4
002		533055100	NOZZLE §215 CH12*14 L-CW4
002		533055000	NOZZLE §205 CH12*14 G25 CW4
002		533039100	BICONE §6
002		533018500	FITTING FOR BICONE D.6 M10*1
002		532003800	BURNER COVER RING §082
002		531035300	MEDIUM BURNER BODY 90 LINE
002		532004000	1 FLAME GRILL 396X366 (90)
002		544400200	BURNER DRIP PAN 2/3
002		531035000	MEDIUM BURNER VENTURI 90 LINE
002		533039400	THERMOCOUPLE M9*1*850
002		544424100	
002		533010900	NUT M14*1 H.4
002		533052301	JOINT FOR NOZZLE HOLDER
002		533039300	BICONE §10
002		533010800	TUBE NUT D.10 M16*1,5
002		533080200	BY PASS COCK §65 20S-21S
002		539018900	INDEX FOR KNOB
002		531043000	GAS COCK 21S P.V. BY-PASS §065
002		536019800	BLACK KNOB §70 PIN §8*6,5
002		539022600	GRADUATED STICKER FOR KNOB
003		533091000	NOZZLE 0.100 §20
003		533091200	PILOT NOZZLE 0100 Ø35 PIL.PC
003		533030100	NOZZLE §95 CH12*14 G-FP
003		533014700	NOZZLE §85 CH12*14 F-FQ5
003		533015200	NOZZLE §145 CH12*14 F-FP/CP6
003		533030300	NOZZLE §160 CH12*14 M-FPG
003		533014900	NOZZLE §150 CH12*14 F-FQ5 L-FQ6
003		533091400	P.NOZZLE S100 UG.§20 PC90 LPG-FLUS
003		533091500	PILOT NOZZLE S.100 §30 PC90 NAT.GAS
003		533009200	REDUCTION FOR 65 AND 70 LINE
003		532003700	BURNER COVER RING §060
003		531035200	SMALL BURNER BODY 90 LINE
003		532004000	1 FLAME GRILL 396X366 (90)
003		533010900	NUT M14*1 H.4
003		533052301	JOINT FOR NOZZLE HOLDER
003		533039300	BICONE §10
003		533010800	TUBE NUT D.10 M16*1,5
003		544400100	BURNER DRIP PAN 2/3

Page	Pos	Code	Description
003		531034900	SMALL BURNER VENTURI 90 LINE
003		544424100	
003		533039100	BICONE §6
003		533018500	FITTING FOR BICONE D.6 M10*1
003		533045700	THERMOCOUPLE M9*1 500
003		539018900	INDEX FOR KNOB
003		536019800	BLACK KNOB §70 PIN §8*6,5
003		539022600	GRADUATED STICKER FOR KNOB
003		531042900	B.PASS §60 SAFETY COCK PC/CF 90
003		533069100	BY PASS COCK §60 20S
004		533091000	NOZZLE 0.100 §20
004		533091200	PILOT NOZZLE 0100 Ø35 PIL.PC
004		533091400	P.NOZZLE S100 UG.§20 PC90 LPG-FLUS
004		533091500	PILOT NOZZLE S.100 §30 PC90 NAT.GAS
004		533030800	NOZZLE §155 CH12X14 M-CW
004		533014800	NOZZLE §135 CH12*14,0
004		533056200	NOZZLE §230 CH12*14
004		533015000	NOZZLE D.I 260 G110 (TOWN GAS)
004		533055400	NOZZLE §245 CH12*14
004		533039100	BICONE §6
004		533018500	FITTING FOR BICONE D.6 M10*1
004		532003900	BURNER COVER RING §100
004		531035400	BIG BURNER BODY 90 LINE
004		532004000	1 FLAME GRILL 396X366 (90)
004		533010900	NUT M14*1 H.4
004		533052301	JOINT FOR NOZZLE HOLDER
004		533039300	BICONE §10
004		533010800	TUBE NUT D.10 M16*1,5
004		533039400	THERMOCOUPLE M9*1*850
004		544400300	BURNER DRIP PAN 2/3
004		531035100	BIG BURNER VENTURI 90 LINE
004		544424100	
004		533038800	75 BY-PASS FOR 21S TAP
004		539018900	INDEX FOR KNOB
004		531032000	GAS COCK P.V.BY-PASS Ø075
004		536019800	BLACK KNOB §70 PIN §8*6,5
004		539022600	GRADUATED STICKER FOR KNOB
005		531003300	TP-PLATE LIFTING HOOK
006		533020500	NOZZLE 0.140 §19
006		533020600	NOZZLE 0.140 §27
006		533052301	JOINT FOR NOZZLE HOLDER
006		533039300	BICONE §10
006		533010900	NUT M14*1 H.4
006		533010800	TUBE NUT D.10 M16*1,5
006		539018900	INDEX FOR KNOB
006		533018500	FITTING FOR BICONE D.6 M10*1
006		533039100	BICONE §6
006		533023600	TAP PLUG §10 M16*1, 5CH19
006		531025500	GAS COCK 21S P.V.BY-PASS Ø130
006		536019800	BLACK KNOB §70 PIN §8*6,5
006		539022600	GRADUATED STICKER FOR KNOB

Page	Pos	Code	Description
006		537002800	PIEZOELECTRIC IGNITION M18
006		533069600	BY PASS COCK §130 20S-21S
006		533085200	
006		537008300	ROUND PLUG §2,4- LONG ELECTRODE
006		533018600	PLUG FITTING
006		533023300	BICONE §6 ("TARGET" PILOT)
006		547003200	HIGH-VOLTAGE CABLE TUBE.§2 L=500
006		533023200	"TARGET" PILOT + NIPPLE TC BRAC.90°