

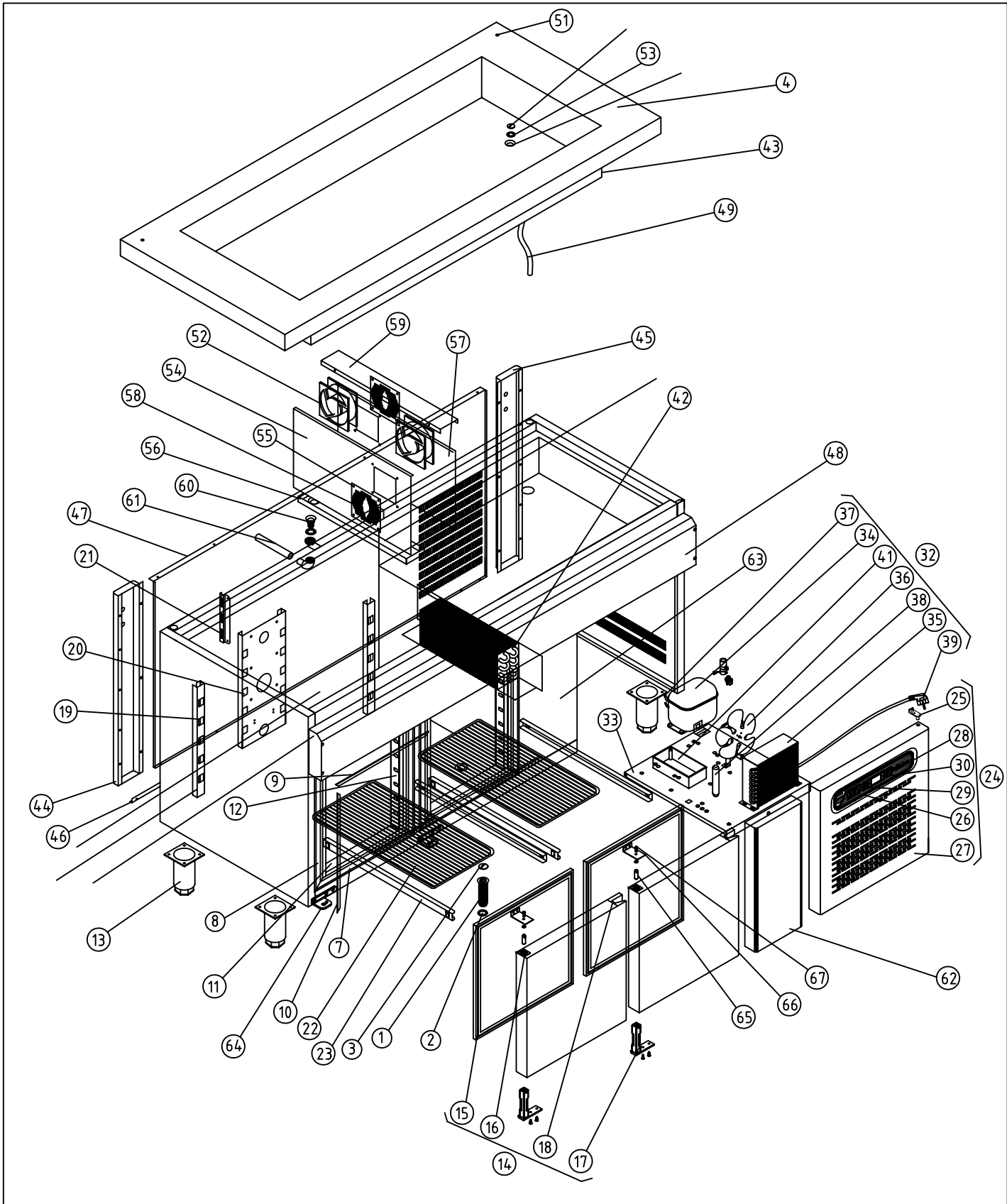
SCRR-16
17-05-10



MODELS

SCRR-16

Ref.	Level	CODE	DESCRIPTION	QTY.
1	1	6003010326	FULL OUTLET 3/4 GREY + NUT	1
2	1	6003010327	RUBBER SEAL OUTLET 3/4	1
3	1	6003010262	BLIND DRAIN PLUG ¾	1
4	1	S181010039	COUNTERTOP SCRR-16	1
5	1	6003010168	CHROME CAP D=10 REF.465335	2
6	1	6003010051	RUBBER SEAL OUTLET 1/2	1
7	1	S107170009	MAGNETIC FRAME COVER SCRR-H	2
8	1	S107170010	MAGNETIC FRAME COVER SCRR-V	2
9	1	S107170011	MAG FRAME COVER MAGNET SCRR-H	2
10	1	S107170012	MAG FRAME COVER MAGNET SCRR-V	2
11	1	S107170013	U PROFILE MAG COVER SCRR-H	2
12	1	S109050093	RACK SCRR-SPFR	2
13	1	6007050017	GASTRO CABINET ADJUSTABLE LEG	4
14	1	S169010007	DOOR SCRR-SPFR GN TIR.P4	2
15	2	6045010007	DOOR SEAL 400X420 MEP-100	1
16	2	6003010136	GREY SPRING HOUSING BOX	1
17	2	6033010003	HINGE TRS1D DOUBLE SPRING CHROME	1
18	2	S133010001	SET COVERS EDESA (SUP.20mm OVERHANG)	1
19	1	M109050026	RACK SIDE SUPPORT SCRR	2
20	1	S109050099	CENTRAL RACK EVAP. SCRR GN	1
21	1	M109050033	PROBE PROTECTOR 175x49	1
22	1	6027010003	GRILL GN1/1 530x325	2
23	1	6033050015	GUIDE SNACK FREEZE DT TABLE MESA GN562mm	4
24	1	S177010008	RECESSED CONTROL PANEL GRILLE SCRR	1
25	2	6003010048	DOOR GRILLE BRACKET	2
26	2	6023010216	STICKER 345x68 CABINET PANEL	1
27	2	S177010010	CONTROL PANEL GRILLE SCRR	1
28	2	6021130001	DUAL POLE AMBER ON/OFF SWITCH REINFORCED CONTACTS	1
29	2	6021130010	RECTANGULAR AMBER PILOT LIGHT FAGOR	1
30	2	6021350018	REFRIGERATION THERMOSTAT CAREL PYCO1SN515	1
31	2	6021450031	ELECTRICAL INSTALLATION SCRR EDESA	1
32	1	S173010006	CONDENSING UNIT SCRR-SPFR12/16 50 Hz EM	1
33	2	S109170037	BASE SCRR-SPFR	1
34	2	6021010154	COMPRESSOR NEK6210Z EMBRACO	1
35	2	6029020011	CONDENSER 9x3 NEUTRAL	1
36	2	6021050002	FAN 10W FLAT BLADE 220V	1
37	2	6021310003	COMPLETE VALVE CORE RF.HB-1S	1
38	2	6047010003	DEHYDRATING FILTER 40GR 1/4X1/4	1
39	2	6021390006	LEAD 3X1X2500 BL. SCHUKO 3T	1
40	2	6003010068	90° CABLE CLAMP	1
41	2	M109050019	AUT EVAP TRAY MEP-135/180	1
42	1	S171010004	EVAP UNIT SCRR-SPFR-16(RESERVE)	1
43	1	S171010008	EVAP UNIT SCRR-16GN BASIN	1
44	1	S109010109	RIGHT DECORATIVE PILLAR SCRR	1
45	1	S109010110	LEFT DECORATIVE PILLAR SCRR	1
46	1	S109050062	OUTER FRONT PANEL BRACKET SCRR-SPFR-16	1
47	1	S109010127	OUTER FRONT PANEL SCRR-16	1
48	1	S109010257	SIDE DOOR TRIM SCRR-16 EDE	1
49	1	6003010417	DRAIN HOSE BUFLEX INNER D.=17MM	1
50	1	6003010075	SINGLE SCREW-IN CABLE CLAMP	3
51	1	6003010168	CHROME CAP D=10 REF.465335	4
52	1	6021050008	FAN 120x120 WITH BALL BEARING	2
53	1	6003010051	RUBBER SEAL OUTLET 1/2	2
54	1	S109050098	LEFT SIDE EVAP. SCRR GN	1
55	1	6025090009	SCREW M4X10 STAINLESS HEXAGONAL	14
56	1	M109050018	DRAIN TRAY SCRR-16	1
57	1	S109050096	RIGHT SIDE EVAP. SCRR GN	1
58	1	M109050515	FAN GRILLE 120x120	2
59	1	M109050040	LID EVAP. BOX MEP-135,180	1
60	1	6003010034	SAN MIGUEL TYPE OUTLET + NUT	1
61	1	6007170015	LINED PIPE EXT. D. 20	1,25
62	1	S109010266	VERTICAL DECORATIVE FRONT SCRR-16	1
63	1	S109010205	SUPPLEMENT VERT. FRONT SCRR GN	1
64	1	6033010083	HINGE SUPPORT DB-516 LOWER LEFT	2
65	1	6033090064	SHAFTx10 STAINLESS ROD INNER THREAD M6	2
66	1	C209050004	HINGE BRACKET UPPER SHAFT 30x10	3
67	1	6025090050	SCREW M6X16 STAINLESS W/ DIN 933 HEX	2



SI SELF-SERVICE COLD ELEMENT				COD. PIEZA: X			
DIMENSIONS WITHOUT TOLERANCE DIN 7168-f				Material: MATERIAL ESPESOR			
GRADO TOLERANCIA				SUSTITUYE A:			
FINO MEDIO GRUESO				SUSTITUIDO POR:			
HASTA 10 mm				±1° ±1° 30'			
MAS DE 10 A 50 mm				±30' ±50'			
MAS DE 50 A 120 mm				±20' ±25'			
MAS DE 120 A 400 mm				±10' ±15'			
MAS DE 400 mm				±5' ±10'			
ANGULAR	GRADO TOLERANCIA			FINO MEDIO GRUESO			
	HASTA 3 mm			±0,05 ±0,10 ±0,15			
	MAS DE 3 A 6 mm			±0,05 ±0,10 ±0,20			
	MAS DE 6 A 30 mm			±0,10 ±0,20 ±0,50			
	MAS DE 30 A 120 mm			±0,15 ±0,30 ±0,80			
LINEAL	GRADO TOLERANCIA			FINO MEDIO GRUESO			
	HASTA 3 mm			±0,05 ±0,10 ±0,15			
	MAS DE 3 A 6 mm			±0,05 ±0,10 ±0,20			
	MAS DE 6 A 30 mm			±0,10 ±0,20 ±0,50			
	MAS DE 30 A 120 mm			±0,15 ±0,30 ±0,80			
MAS DE 120 A 400 mm			±0,20 ±0,50 ±1,20				
MAS DE 400 A 1000 mm			±0,30 ±0,80 ±2,00				
MAS DE 1000 A 2000 mm			±0,50 ±1,20 ±3,00				
Acabado: ACABADO				COMUN A			
MODELO		Ud.	MODELO		Ud.	MODELO	
SCRR-16		1					
A4		Nombre		Fecha			
Dibujado		JAPM		20-5-10			
Modificado							
Escala		PART LIST SCRR-16				Código máquina:	
1:20						CODIGO	