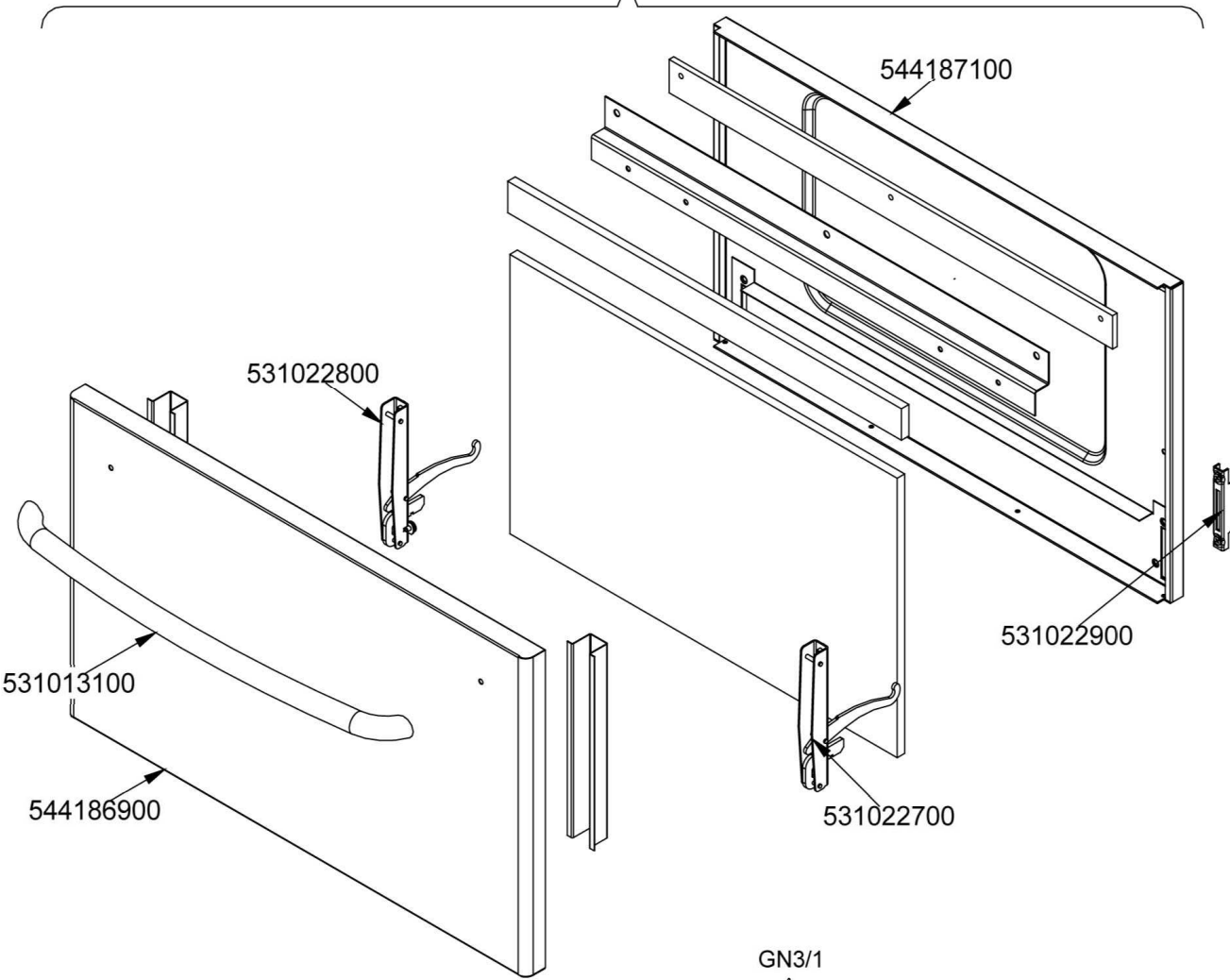
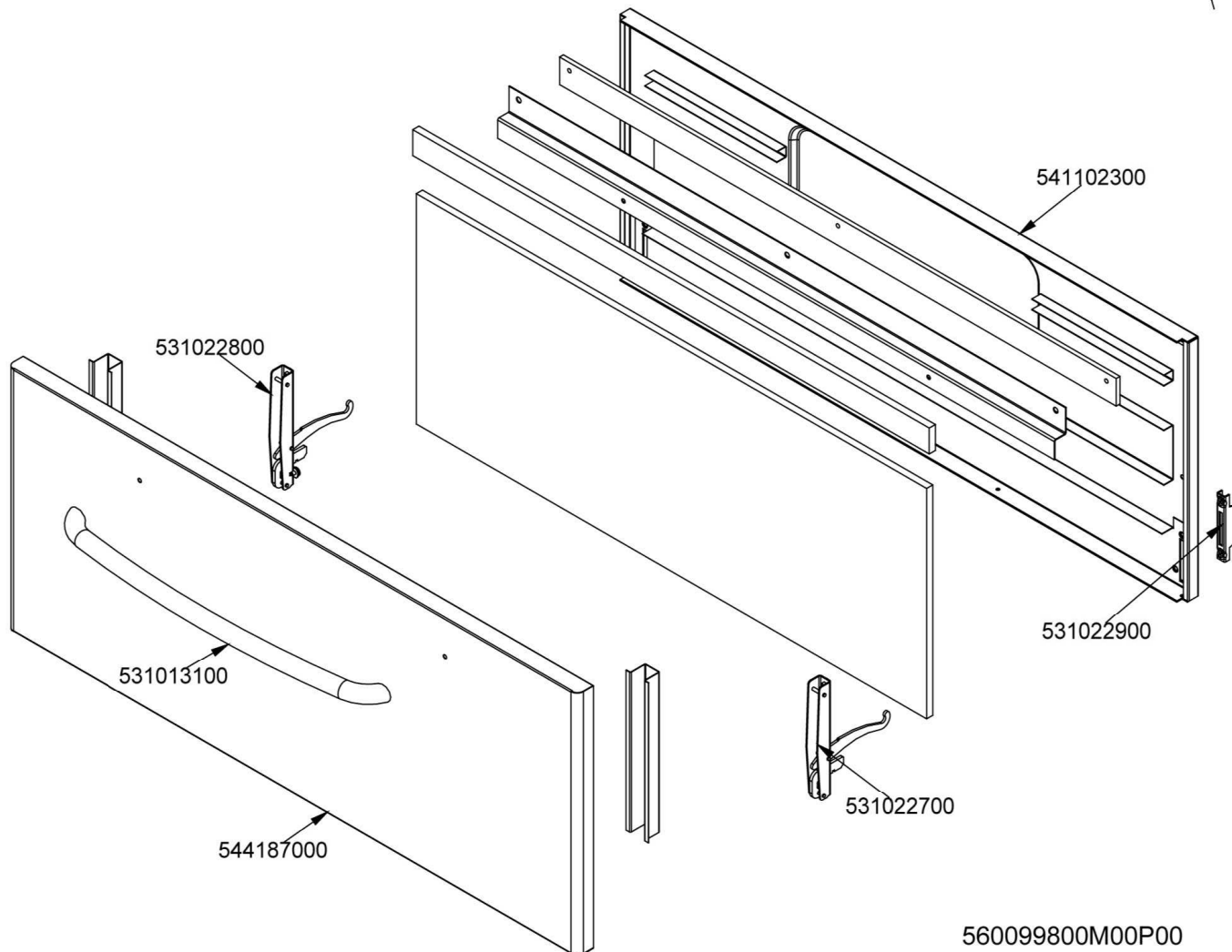


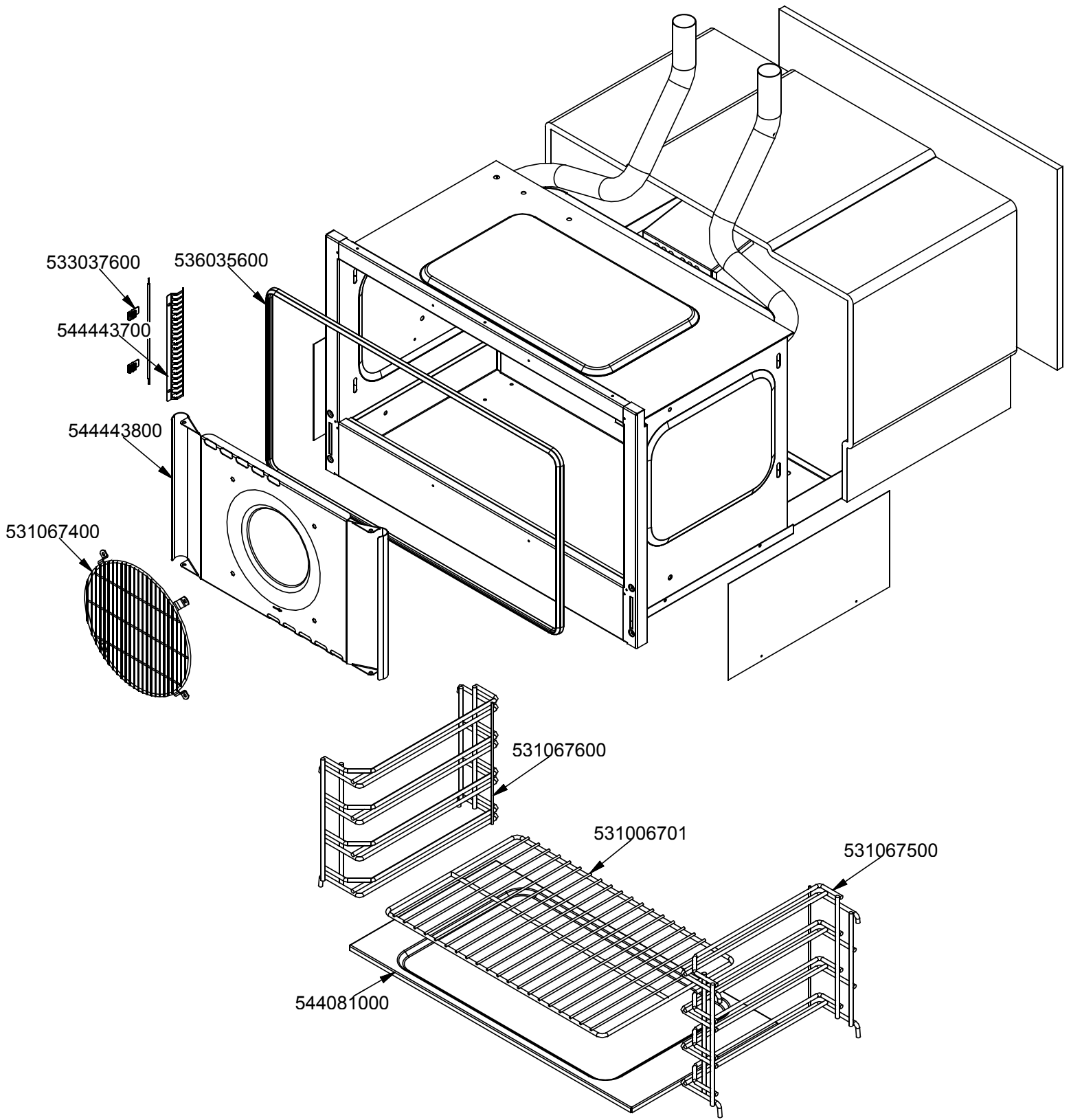
GN2/1

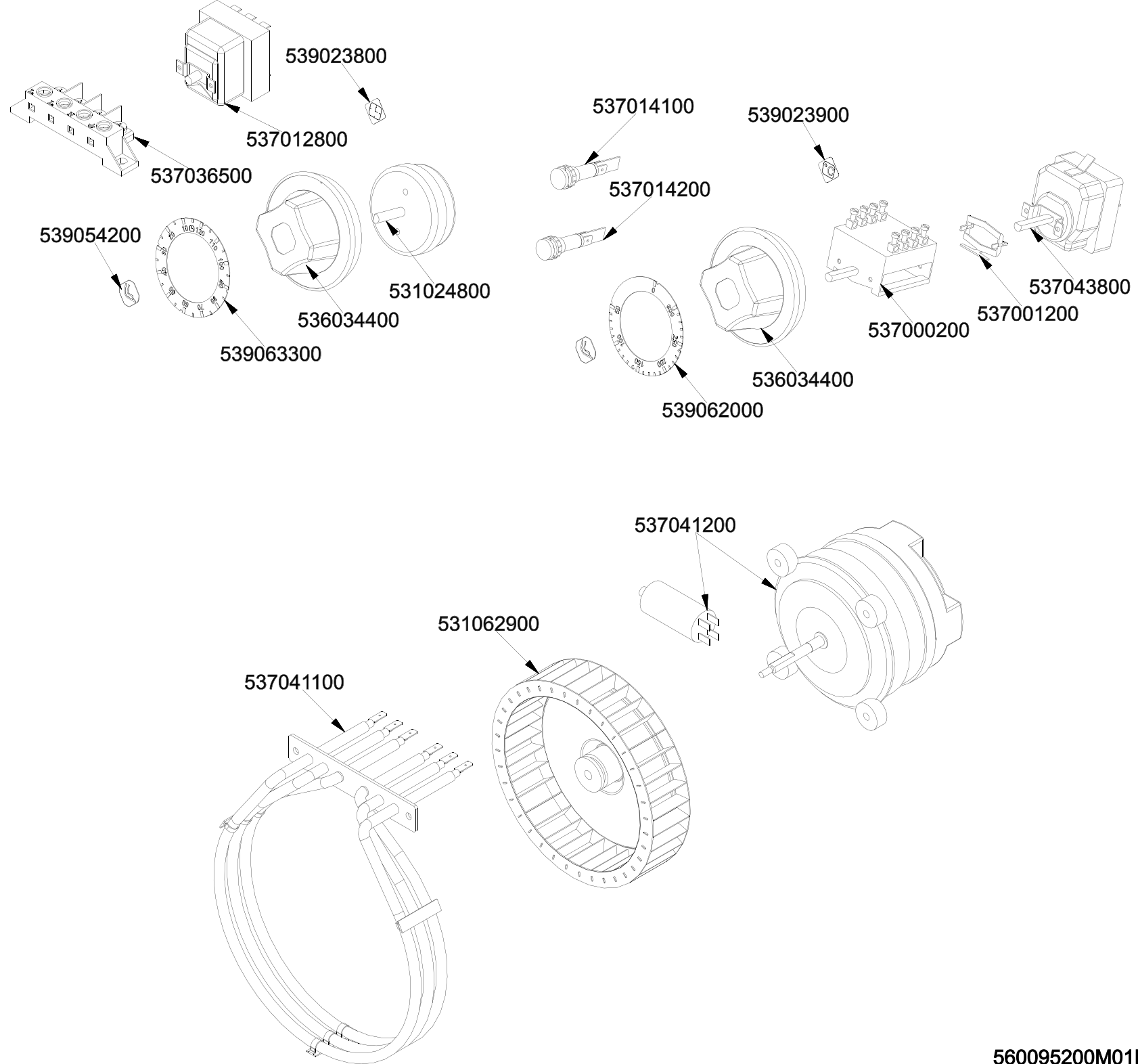


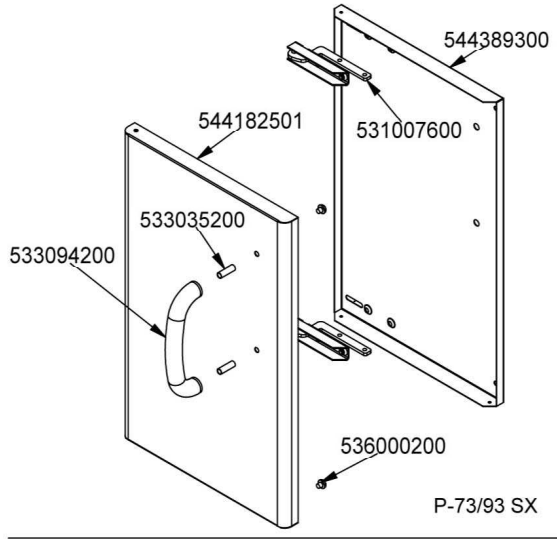
GN3/1



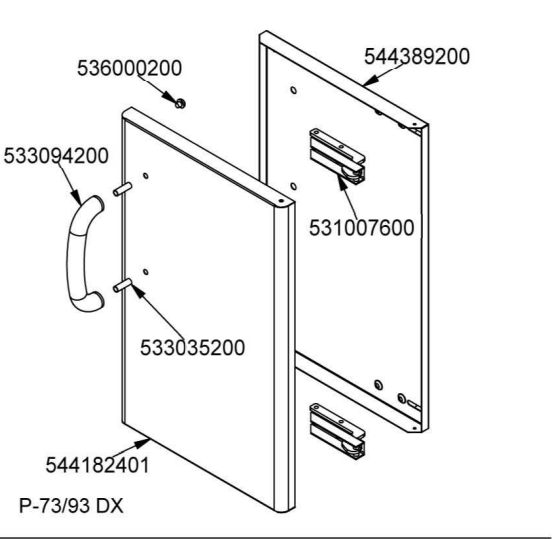
560099800M00P00



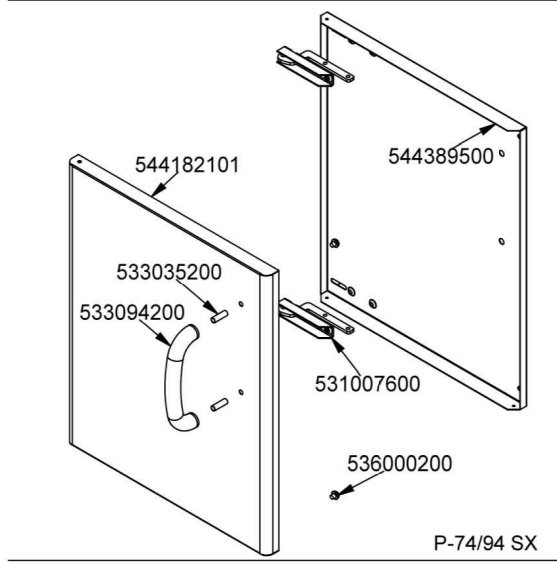




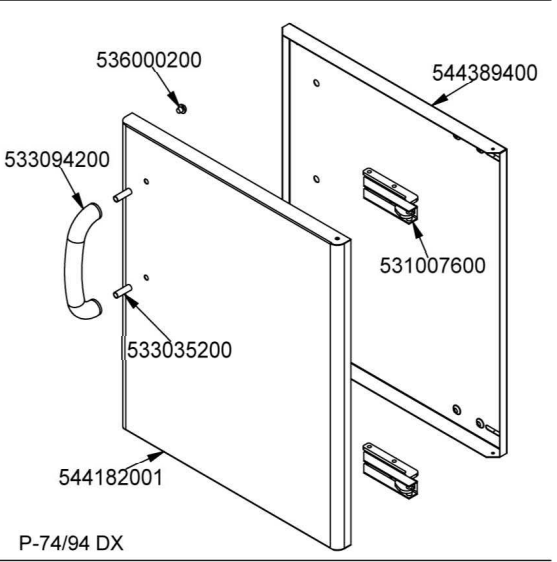
P-73/93 SX



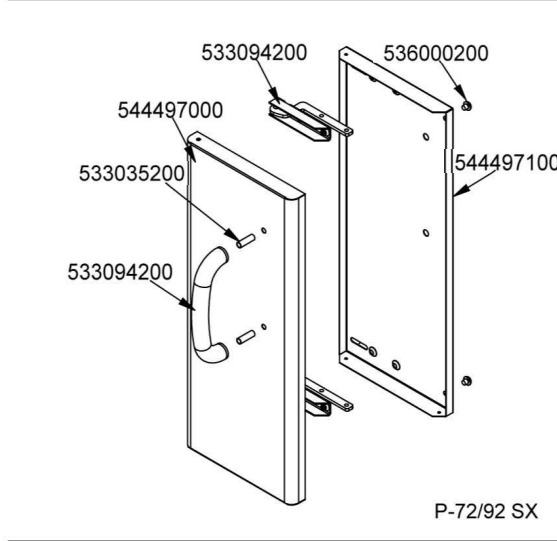
P-73/93 DX



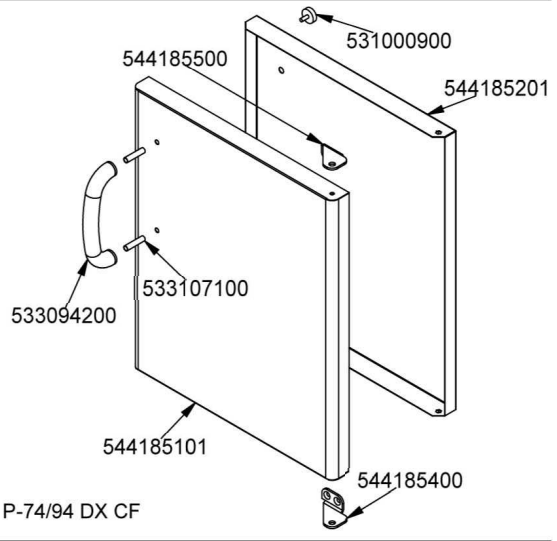
P-74/94 SX



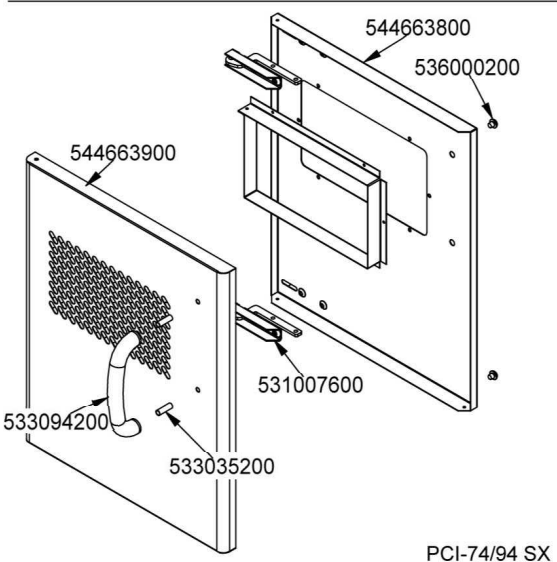
P-74/94 DX



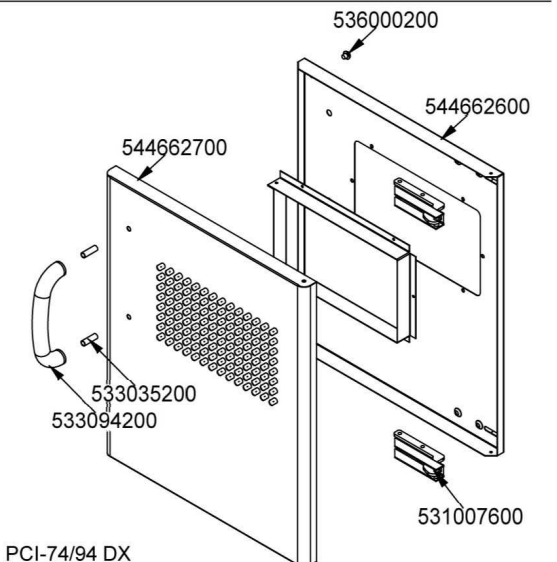
P-72/92 SX



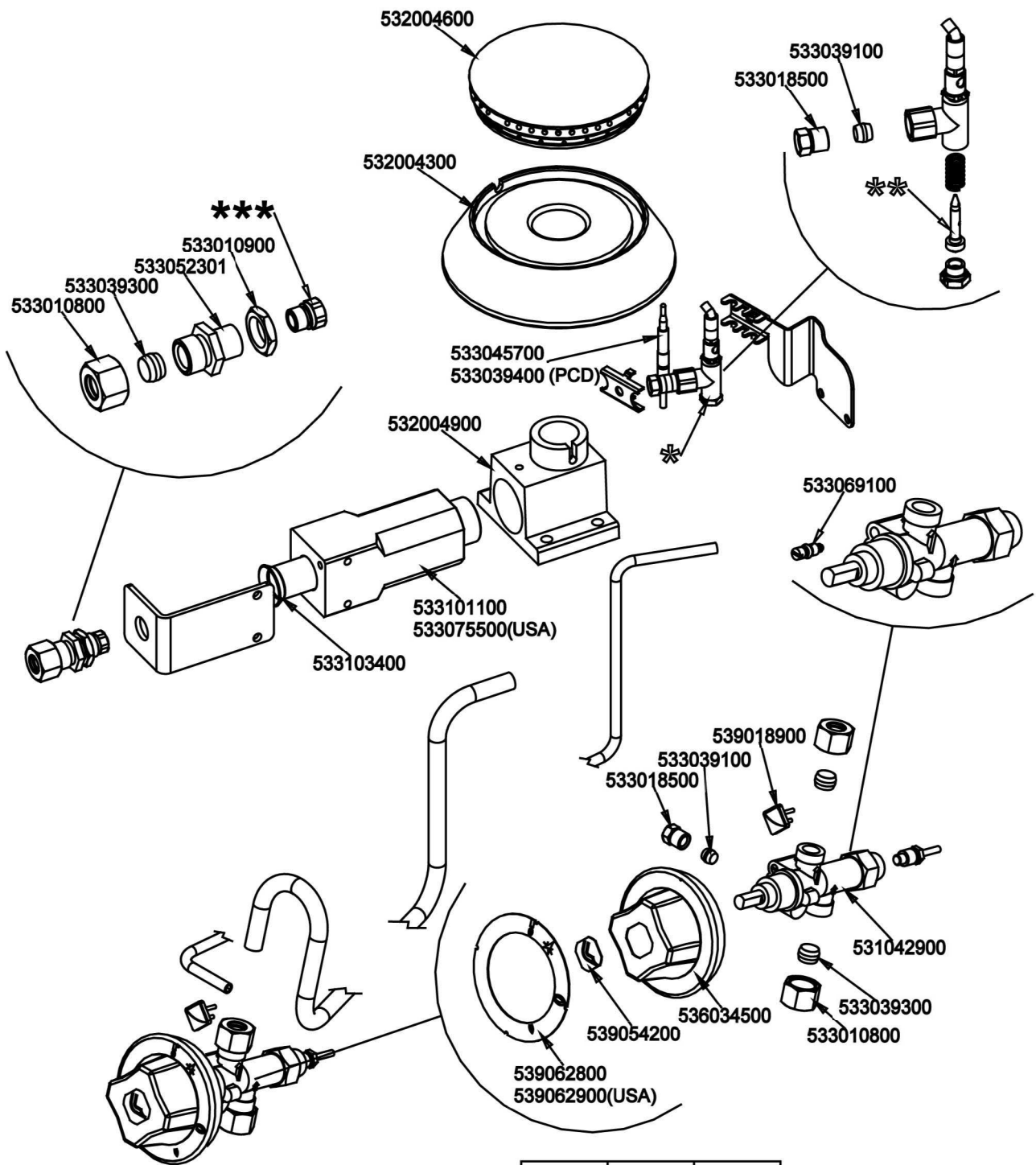
P-74/94 DX CF



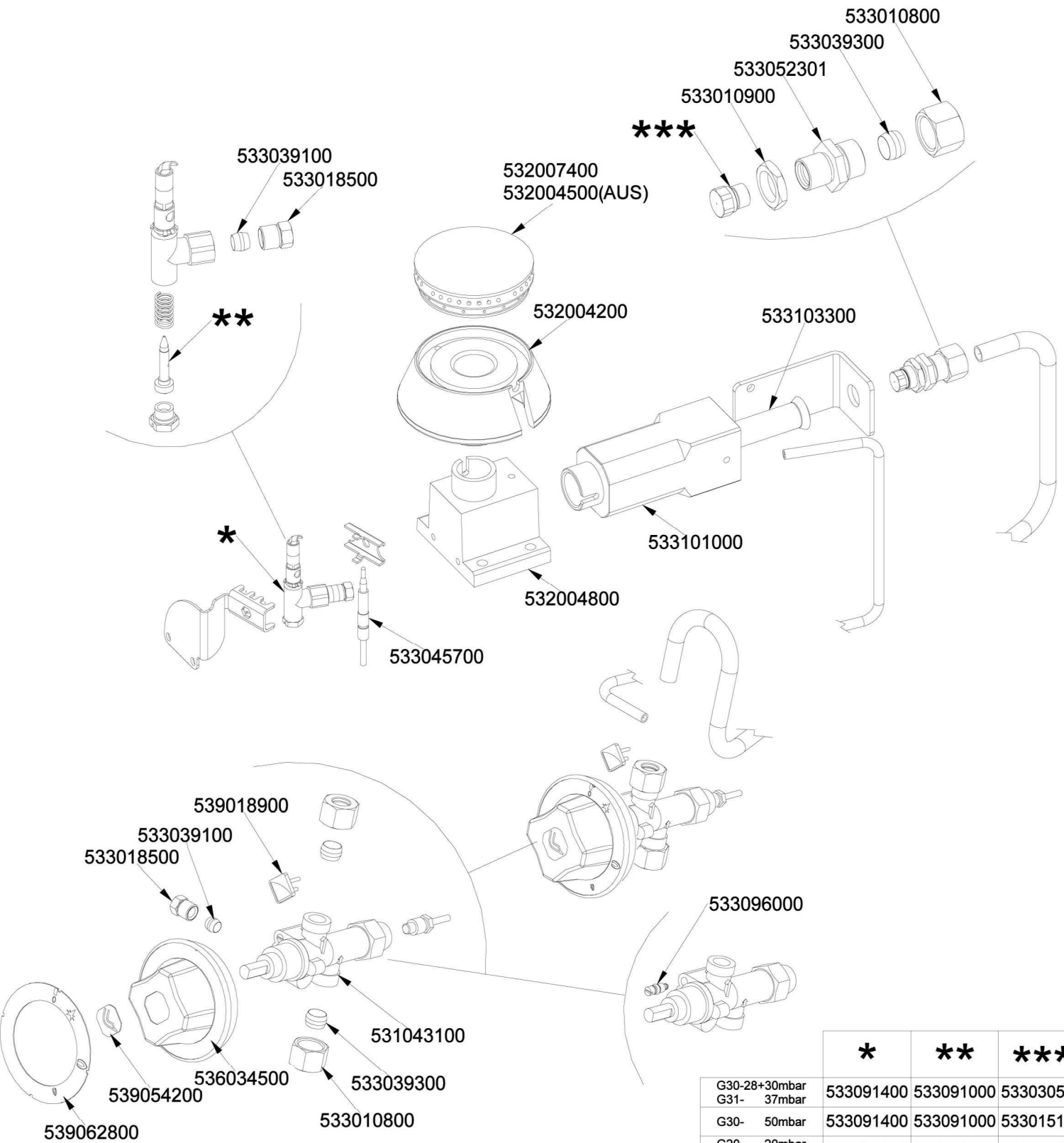
PCI-74/94 SX



PCI-74/94 DX

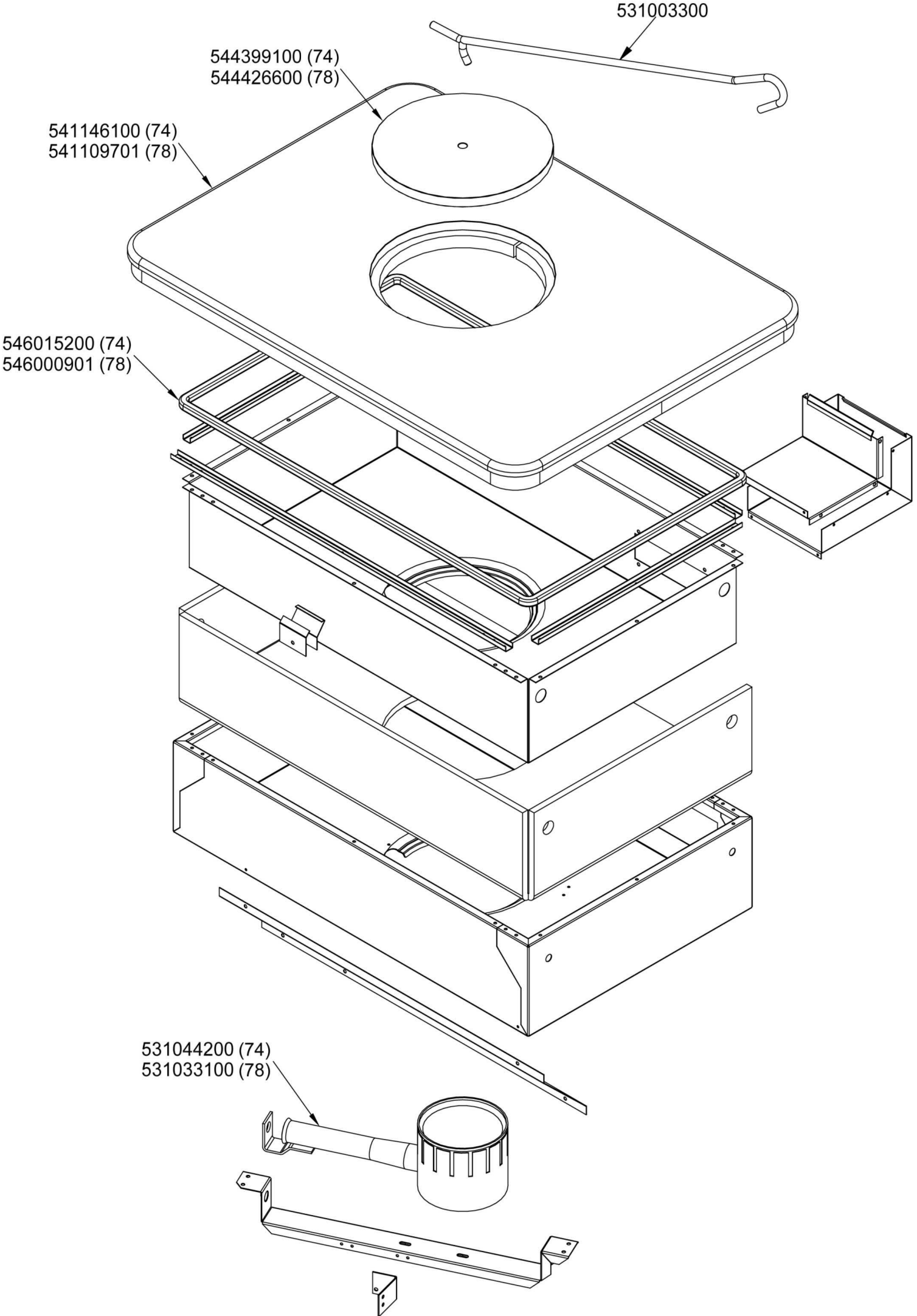


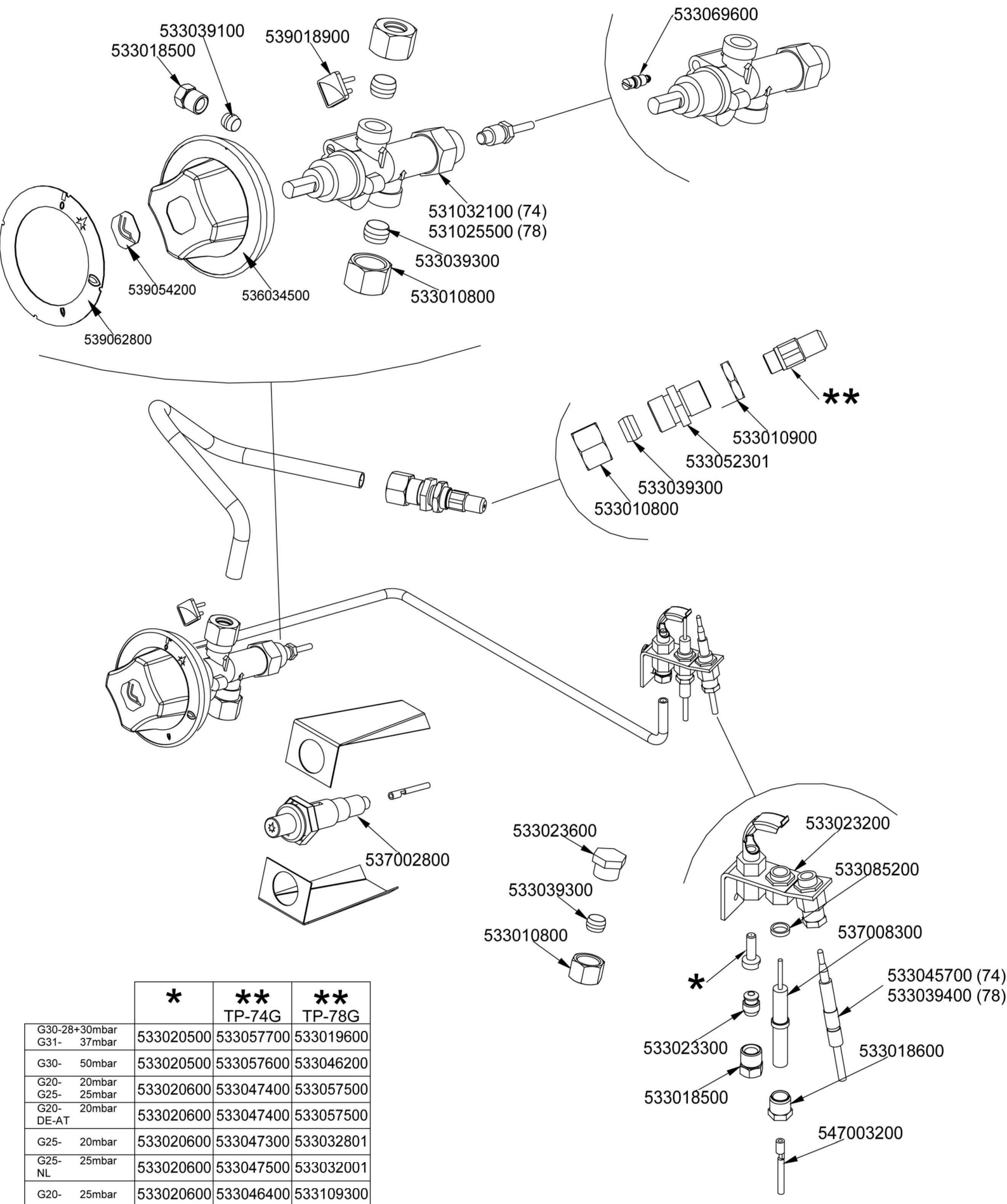
	*	**	***
G30-28+30mbar G31- 37mbar	533091400	533091000	533043900
G30- 50mbar	533091400	533091000	533019300
G20- 20mbar G25- 25mbar	533091500	533091200	533031000
G20- 20mbar DE-AT	533091500	533091200	533031000
G25- 20mbar	533091500	533091200	533043500
G25- 25mbar NL	533091500	533091200	533019400
GAS E-10IWC USA	533091400	533091000	533043200
GAS A-4IWC USA	533161200	533091300	533043100
G31- 2,49kPa AUS	533091400	533091000	533043900
G20- 1kPa AUS	533161200	533091300	533043500



	*	**	***
G30-28+30mbar G31- 37mbar	533091400	533091000	533030500
G30- 50mbar	533091400	533091000	533015100
G20- 20mbar G25- 25mbar	533091500	533091200	533015200
G20- 20mbar DE-AT	533091500	533091200	533015200
G25- 20mbar	533091500	533091200	533030800
G25- 25mbar NL	533091500	533091200	533014900
G31- 2,49kPa AUS	533091400	533091000	533019300
G20- 1kPa AUS	533161200	533091300	533030300

560038500M02P00





	*	**	**
		TP-74G	TP-78G
G30-28+30mbar	533020500	533057700	533019600
G31- 37mbar	533020500	533057600	533046200
G30- 50mbar	533020600	533047400	533057500
G20- 20mbar	533020600	533047400	533057500
G25- 25mbar	533020600	533047300	533032801
G20- 20mbar	533020600	533047500	533032001
G25- NL	533020600	533046400	533109300
G20- 25mbar			

Page	Pos	Code	Description
001		532004100	FLUE GRID L=370 90LINE (RAF
001		541135200	LOW SPACER 712 2 LHD GRIDS
001		531047000	2 BURNER GRID FOR PC-700
001		544333900	BURNER CONTAINER 1/1GN R 304
001		544383300	UPPER PLATE PC-712GP CF6-7128GP/GPE
001		544333800	BURNER CONTAINER 1/1GN R 304
001		544173300	LEFT SIDE PANEL RANGE S.70
001		537027400	TERMINAL BLOCK THREEPHASE 40A
001		541147600	CONTROL PANEL TPF4-912GE/GEV
001		533016300	PIN FOR COCK BUSHING
001		544173200	RIGHT SIDE PANEL RANGE S.70
001		536005200	INOX LEG 2" 120-180 M10
002		544187100	OVEN INNER DOOR GN 2/1 70/90LINE
002		531022800	LEFT OVEN DOOR HINGE S.70
002		531013100	OVEN DOOR HANDLE OF 70/90-LINE
002		544186900	OVEN DOOR GN 2/1 70/90LINES
002		531022700	RIGHT OVEN DOOR HINGE 70LINE
002		531022900	HINGE DOOR WHEEL HOLDER S.70
002		541102300	GAS OVEN INNER DOOR GN 3/1 S.70
002		544187000	OVEN DOOR GN 3/1 S.70
003		533037600	LOCK SPRING FOR BULB
003		536035600	OVEN GASKET GN 2/1
003		544443800	55 ELECRIC OVEN BOTTOM GN1/1
003		531067400	PROTECTION GRID FOR FAN OVEN*S70
003		531067600	LHD GRIDS HOLDER FOR GN1/1-OVEN S70
003		531006701	MAXI OVEN GRID FOR S60/65
003		531067500	RHD GRIDS HOLDER FOR GN1/1-OVEN S70
003		544081000	55 ELECRIC OVEN BOTTOM GN1/1
003		544443700	
004		539023800	LABEL FOR OVEN TIMER
004		537014100	WHITE WARNING LIGHT 250V
004		539023900	SIGN PLATE FOR OVEN TEMPERATURE
004		537012800	SAFETY THERMOSTAT 420°C THREEPHASE
004		537014200	GREEN WARNING LIGHT 250V
004		537036500	TERMINAL BLOCK 4POLES 40A SCREW-SCR
004		539054200	STAMP Ø20,5 CR."L" LOTUS R.
004		537043800	THERMOSTAT 48/300°C THREEPHASE
004		537001200	FIXING BRACKET FOR THERMOSTAT/COMM.
004		531024800	TIMER 120'- 360°
004		536034400	KNOB §77 4P. §06*4,6 C/M
004		537000200	COMMUTATOR 1 POS. 3PHASE S.49 16A
004		539063300	ADESIVE DISK FOR TYMER GREY
004		539062000	ADESIVE DISK THERMOSTAT OVEN S70
004		537041200	S70 MOTORFAN
004		531062900	OVEN FAN Ø180 S.70
004		537041100	HEATING ELEMENT 5200W 230V3 OVEN
005		544389300	CONTROP.73 SX APP. LT
005		531007600	DOOR HINGE
005		544182501	LEFT DOOR 73
005		533094200	S/S HANDLE FOR 70/90 SERIES
005		533035200	HANDLE SPACER

Page	Pos	Code	Description
005		536000200	D.12 H.4 BUMPER
005		544389200	CONTROP.73 DX APP. LT
005		544182401	RIGHT DOOR 73
005		544182101	LEFT DOOR 74
005		544389500	INNER-DOOR OF LHD 74
005		544389400	CONTROP.74 DX APP. LT
005		544182001	RIGHT DOOR 74
005		544497000	PORTA 72 SX
005		544497100	CONTROP.72 SX APP. LT
005		544185101	RIGHT DOOR 74 CF
005		533107100	HANDLE SPACER OF CF-70
005		544185500	UPPER DOOR HINGE FOR COMPARTME CF70
005		531000900	MAGNET §22 KG.3 WITH DISK
005		544185201	INNER DOOR * 74DX
005		544185400	LOWER DOOR HINGE FOR COMPARTME CF70
005		544663900	LHD 74 DOOR FOR PCI
005		544663800	74 LHD OVEN INNER DOOR FOUR PCI
005		544662700	DOOR 74 DX PCI
005		544662600	CONTROP.74 DX APP. LT PCI
006		532004600	BURNER COVER RING R D104
006		533039100	BICONE §6
006		533018500	FITTING FOR BICONE D.6 M10*1
006		532004300	MIDDLE BURNER BODY 70LINE P.
006		533010900	NUT M14*1 H.4
006		533052301	JOINT FOR NOZZLE HOLDER
006		533039300	BICONE §10
006		533010800	TUBE NUT D.10 M16*1,5
006		533045700	THERMOCOUPLE M9*1 500
006		533039400	THERMOCOUPLE M9*1*850
006		532004900	ELBOW FITTING OF BURNER VENTURI R
006		533069100	BY PASS COCK §60 20S
006		533101100	BURNER VENTURI R
006		533075500	BURNER VENTURI 5,5KW S70 USA
006		533103400	AIR ADJUSTMENT BUSHING D20 EST.H57
006		539018900	INDEX FOR KNOB W/RED SIGN
006		531042900	B.PASS §60 SAFETY COCK PC/CF 90
006		539054200	STAMP Ø20,5 CR."L" LOTUS R.
006		539062800	RED STICKING DISK 72
006		539062900	RED STICKING DISK 72 USA
006		533091400	P.NOZZLE S100 UG.§20 PC90 LPG-FLUS
006		533091500	PILOT NOZZLE S.100 §30 PC90 NAT.GAS
006		533091000	NOZZLE 0.100 §20
006		533091200	PILOT NOZZLE 0100 Ø35 PIL.PC
006		533091300	PILOT NOZZLE 0100 Ø40 PIL.PC
006		533043900	NOZZLE §115 CH12*14 F-CW4
006		533019300	NOZZLE §100 G-FQ5 F-CW
006		533031000	NOZZLE §175 CH12X14
006		533043500	NOZZLE §190 CH12*14 G25 PC4R
006		533019400	NOZZLE §180 CH12*14 L-FQ5
006		533043200	NOZZLE §110 G30 (LPG) CH12X14
006		533043100	NOZZLE §185 G25 CH12X14

Page	Pos	Code	Description
007		533010800	TUBE NUT D.10 M16*1,5
007		533039300	BICONE §10
007		533052301	JOINT FOR NOZZLE HOLDER
007		533010900	NUT M14*1 H.4
007		533039100	BICONE §6
007		532007400	BURNER COVER RING Ø073 4 Z
007		533018500	FITTING FOR BICONE D.6 M10*1
007		532004500	BURNER COVER RING SR D73
007		532004200	SMALL BURNER BODY 70LINE P.
007		533103300	AIR ADJUSTMENT BUSHING D16 EST.H57
007		533101000	BURNER VENTURI SR
007		532004800	ELBOW FITTING OF BURNER VENTURI SR
007		533045700	THERMOCOUPLE M9*1 500
007		539018900	INDEX FOR KNOB W/RED SIGN
007		533096000	§50 BY-PASS COCK 20S-21S
007		531043100	B.PASS §50 SAFETY COCK PC/CF 70
007		539054200	STAMP Ø20,5 CR."L" LOTUS R.
007		536034500	KNOB §77 4P. §08*6,5
007		539062800	RED STICKING DISK 72
007		533091400	P.NOZZLE S100 UG.§20 PC90 LPG-FLUS
007		533091500	PILOT NOZZLE S.100 §30 PC90 NAT.GAS
007		533091000	NOZZLE 0.100 §20
007		533091200	PILOT NOZZLE 0100 Ø35 PIL.PC
007		533091300	PILOT NOZZLE 0100 Ø40 PIL.PC
007		533030500	NOZZLE §90 CH12X14 G30/CE
007		533015100	NOZZLE §80 CH12*14 F-FP/CP6
007		533015200	NOZZLE §145 CH12*14 F-FP/CP6
007		533030800	NOZZLE §155 CH12X14 M-CW
007		533014900	NOZZLE §150 CH12*14 F-FQ5 L-FQ6
007		533019300	NOZZLE §100 G-FQ5 F-CW
007		533030300	NOZZLE §160 CH12*14 M-FPG
008		533010800	TUBE NUT D.10 M16*1,5
008		533039300	BICONE §10
008		533052301	JOINT FOR NOZZLE HOLDER
008		532004700	BURNER COVER RING UR D128
008		533010900	NUT M14*1 H.4
008		533018500	FITTING FOR BICONE D.6 M10*1
008		533039100	BICONE §6
008		532004400	BIG BURNER BODY 70LINE P.
008		533103500	AIR ADJUSTMENT BUSHING D22 EST.H57
008		533101200	BURNER VENTURI UR
008		533075600	BURNER VENTURI 7,5KW S70 USA
008		532005000	ELBOW FITTING OF BURNER VENTURI UR
008		533045700	THERMOCOUPLE M9*1 500
008		533038800	75 BY-PASS FOR 21S TAP
008		539018900	INDEX FOR KNOB W/RED SIGN
008		531032000	GAS COCK P.V.BY-PASS Ø075
008		536034500	KNOB §77 4P. §08*6,5
008		539054200	STAMP Ø20,5 CR."L" LOTUS R.
008		539062800	RED STICKING DISK 72
008		539062900	RED STICKING DISK 72 USA

Page	Pos	Code	Description
008		533091400	P.NOZZLE S100 UG.§20 PC90 LPG-FLUS
008		533091500	PILOT NOZZLE S.100 §30 PC90 NAT.GAS
008		533091000	NOZZLE 0.100 §20
008		533091200	PILOT NOZZLE 0100 Ø35 PIL.PC
008		533091300	PILOT NOZZLE 0100 Ø40 PIL.PC
008		533014800	NOZZLE §135 CH12*14,0
008		533043400	NOZZLE §117 CH12*14 G-PC4 UR
008		533055000	NOZZLE §205 CH12*14 G25 CW4
008		533014500	NOZZLE §225 CH12*14 OVEN GN 2/1
008		533055100	NOZZLE §215 CH12*14 L-CW4
008		533120100	NOZZLE §210 CH12*14,0
008		533015200	NOZZLE §145 CH12*14 F-FP/CP6
008		533056300	NOZZLE §240 CH12*14
009		531003300	TP-PLATE LIFTING HOOK
009		544399100	PLATE RING FOR TP-74G TP-94G
009		544426600	PLATE RING FOR TP-98G
009		541146100	PLATE TP-74G
009		541109701	UPPER PLATE TP-78G
009		546015200	SQUARE BRAID 12*12*L=1495
009		546000901	SQUARE BRAID OF INSULATING MATERIAL
009		531044200	CIRCULAR BURNER TP D.066
009		531033100	BURNER TP.-78G
010		533018500	FITTING FOR BICONE D.6 M10*1
010		533039100	BICONE §6
010		539018900	INDEX FOR KNOB W/RED SIGN
010		533069600	BY PASS COCK §130 20S-21S
010		531032100	GAS COCK 21S P.V.BY-PASS Ø100
010		531025500	GAS COCK 21S P.V.BY-PASS Ø130
010		533039300	BICONE §10
010		533010800	TUBE NUT D.10 M16*1,5
010		536034500	KNOB §77 4P. §08*6,5
010		539054200	STAMP Ø20,5 CR."L" LOTUS R.
010		539062800	RED STICKING DISK 72
010		533010900	NUT M14*1 H.4
010		533052301	JOINT FOR NOZZLE HOLDER
010		537002800	PIEZOELECTRIC IGNITION M18 WITH NUT
010		533023600	TAP PLUG §10 M16*1, 5CH19
010		533023200	TARGET PILOT + NIPPLE TC BRAC.90°
010		533085200	SPACER FOR PILOT PLUG
010		537008300	ROUND PLUG §2,4- LONG ELECTRODE
010		533045700	THERMOCOUPLE M9*1 500
010		533039400	THERMOCOUPLE M9*1*850
010		533023300	BICONE §6 ("TARGET" PILOT
010		533018600	PLUG FITTING
010		547003200	HIGH-VOLTAGE CABLE TUBE.§2 L=500
010		533020500	NOZZLE 0.140 §19
010		533020600	NOZZLE 0.140 §27
010		533057700	NOZZLE §130A CH12*30 F-BRF74
010		533057600	NOZZLE §115A CH12*30 G-BRF74
010		533047400	NOZZLE §195 CH12*30 M-BM8
010		533047300	NOZZLE §215 CH12*30 L-BM8

Page	Pos	Code	Description
010		533046400	NOZZLE §185 CH12*30 G-CPM
010		533019600	NOZZLE §165 CH12*30 MH-FT5 H-FT6
010		533046200	NOZZLE §150 CH12X30 L-BR TP
010		533057500	NOZZLE §260 CH12X30
010		533032801	NOZZLE §280 CH12*30 M-CPM
010		533032001	NOZZLE §270 CH12*30 MH-CPM
010		533109300	NOZZLE CH12X30,0 Ø245