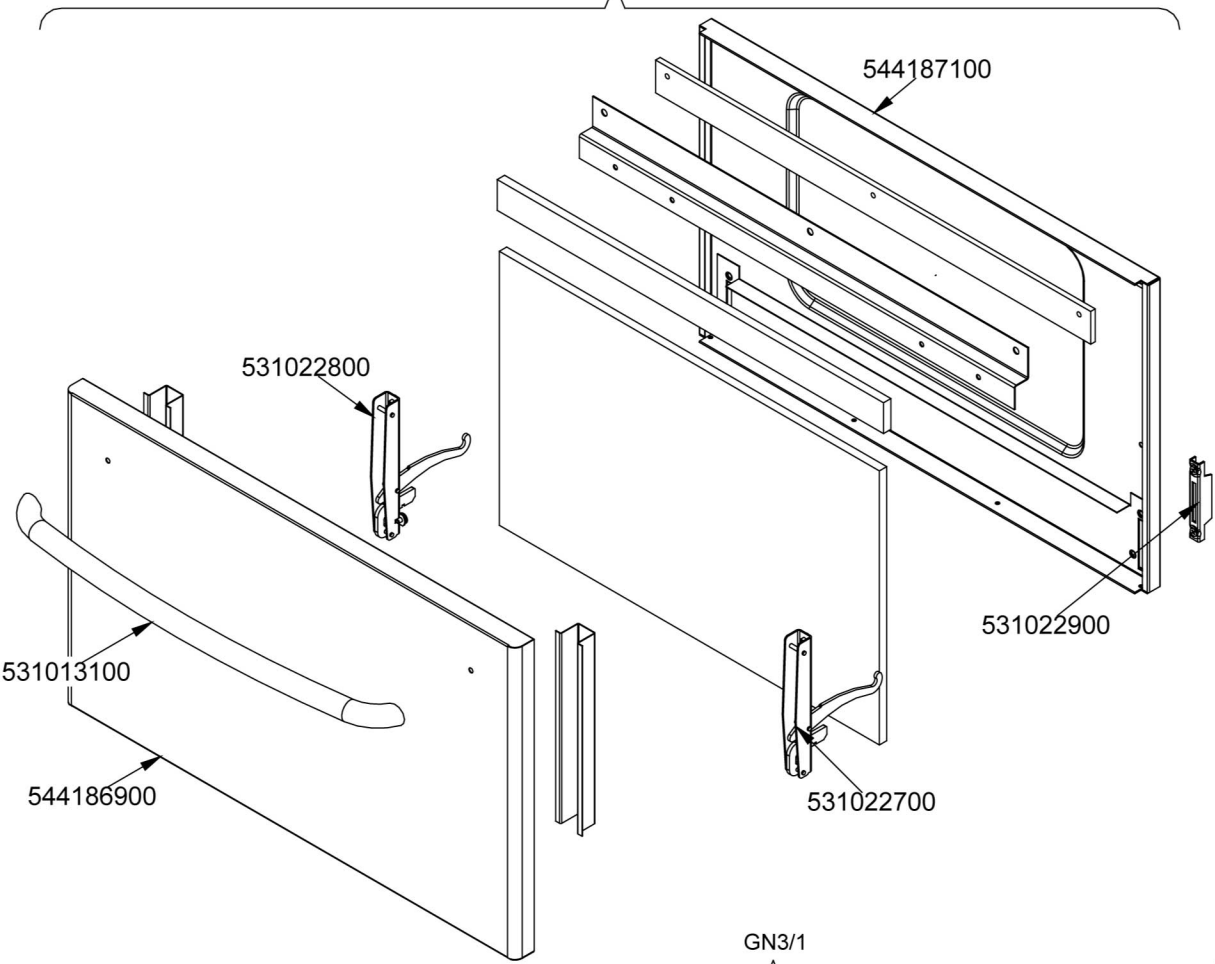
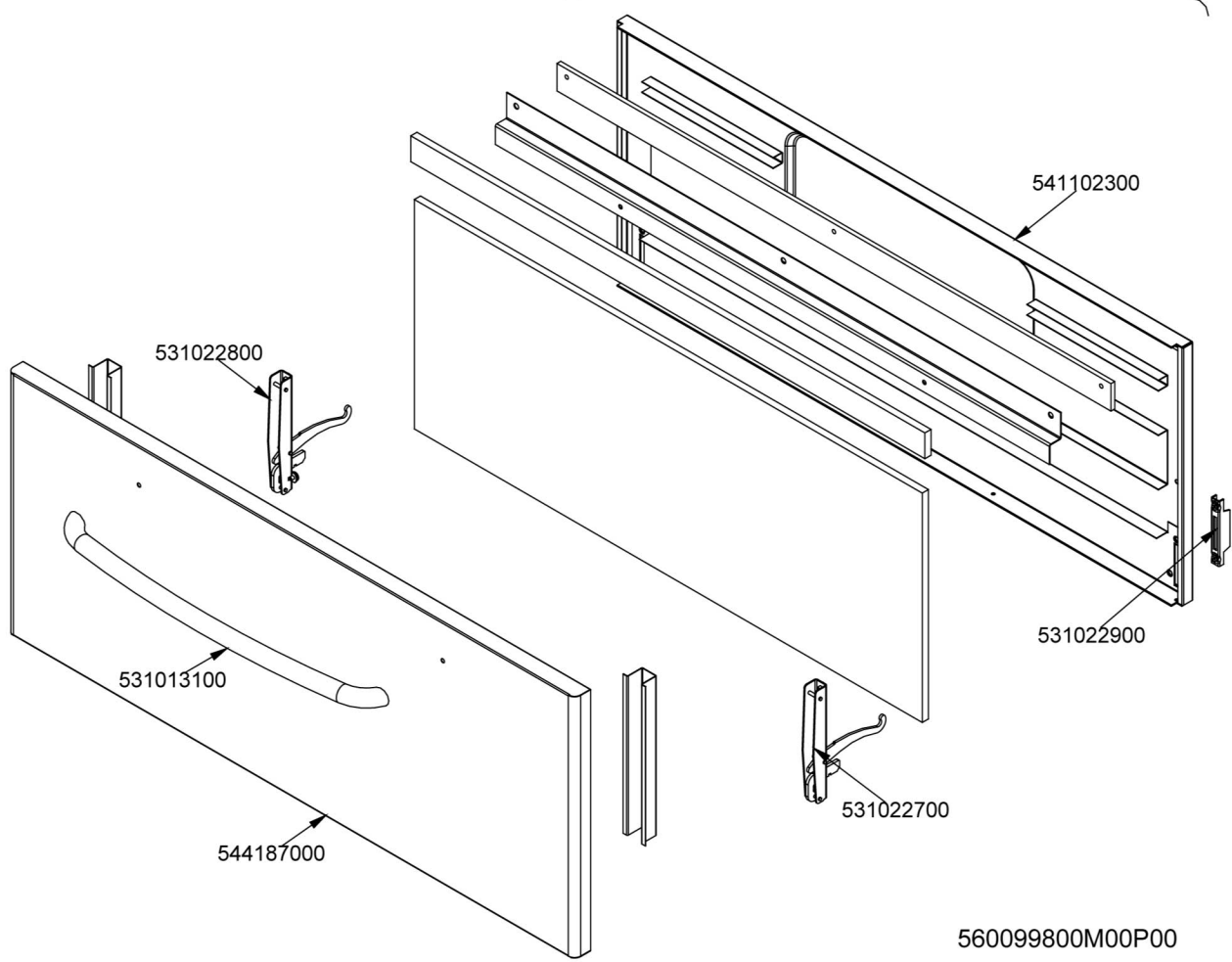


GN2/1

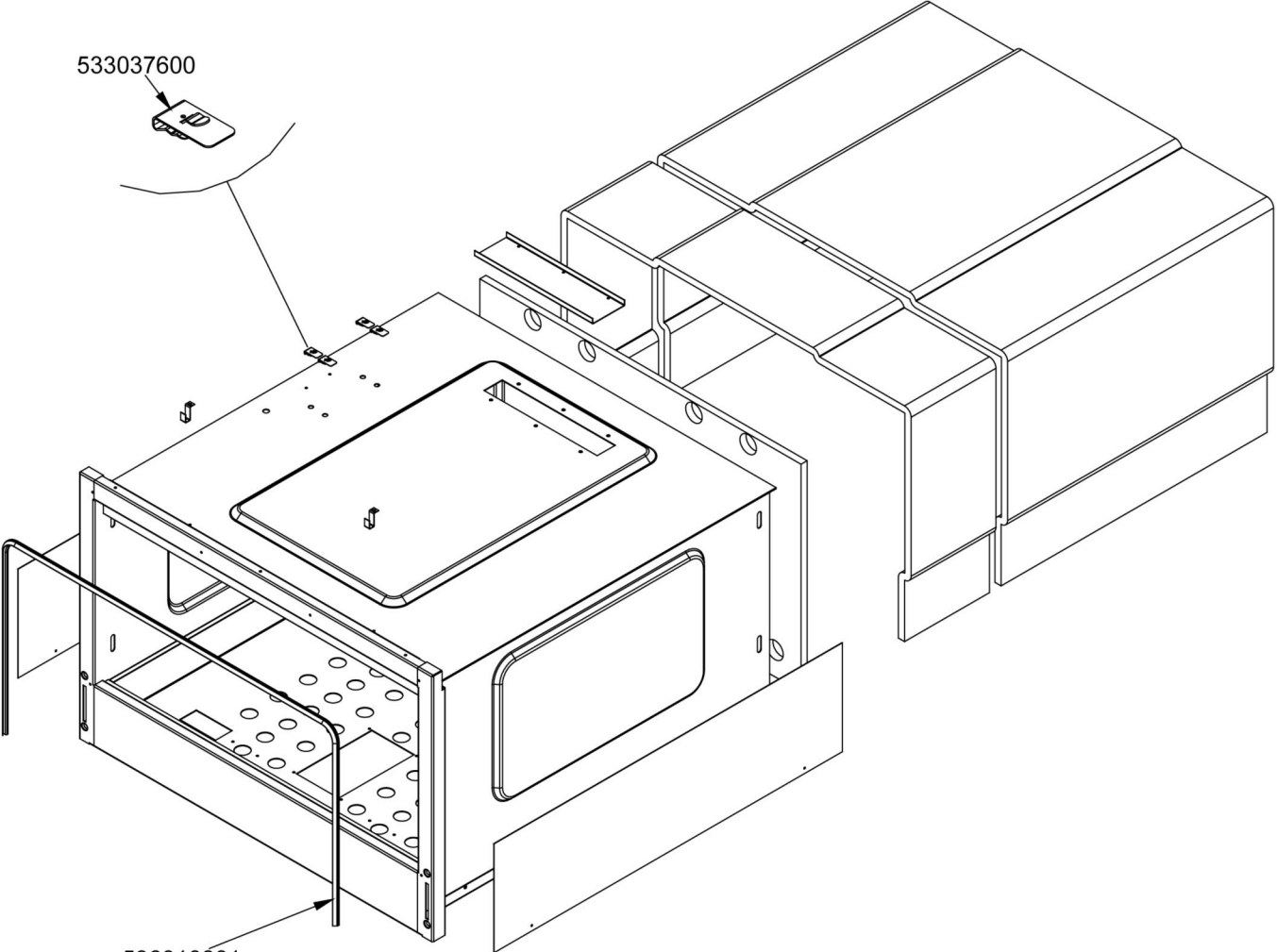


GN3/1



560099800M00P00

533037600



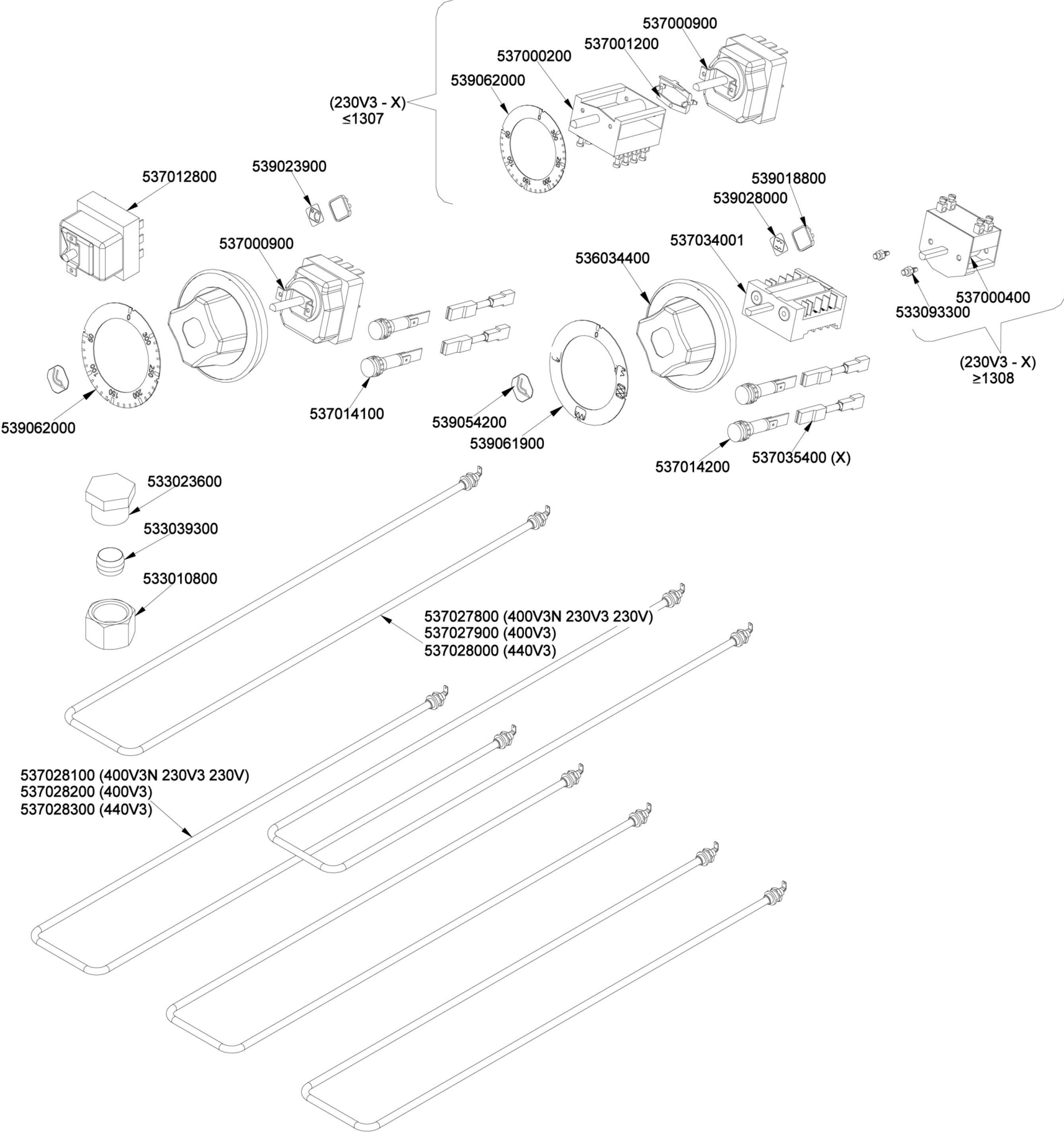
536010801

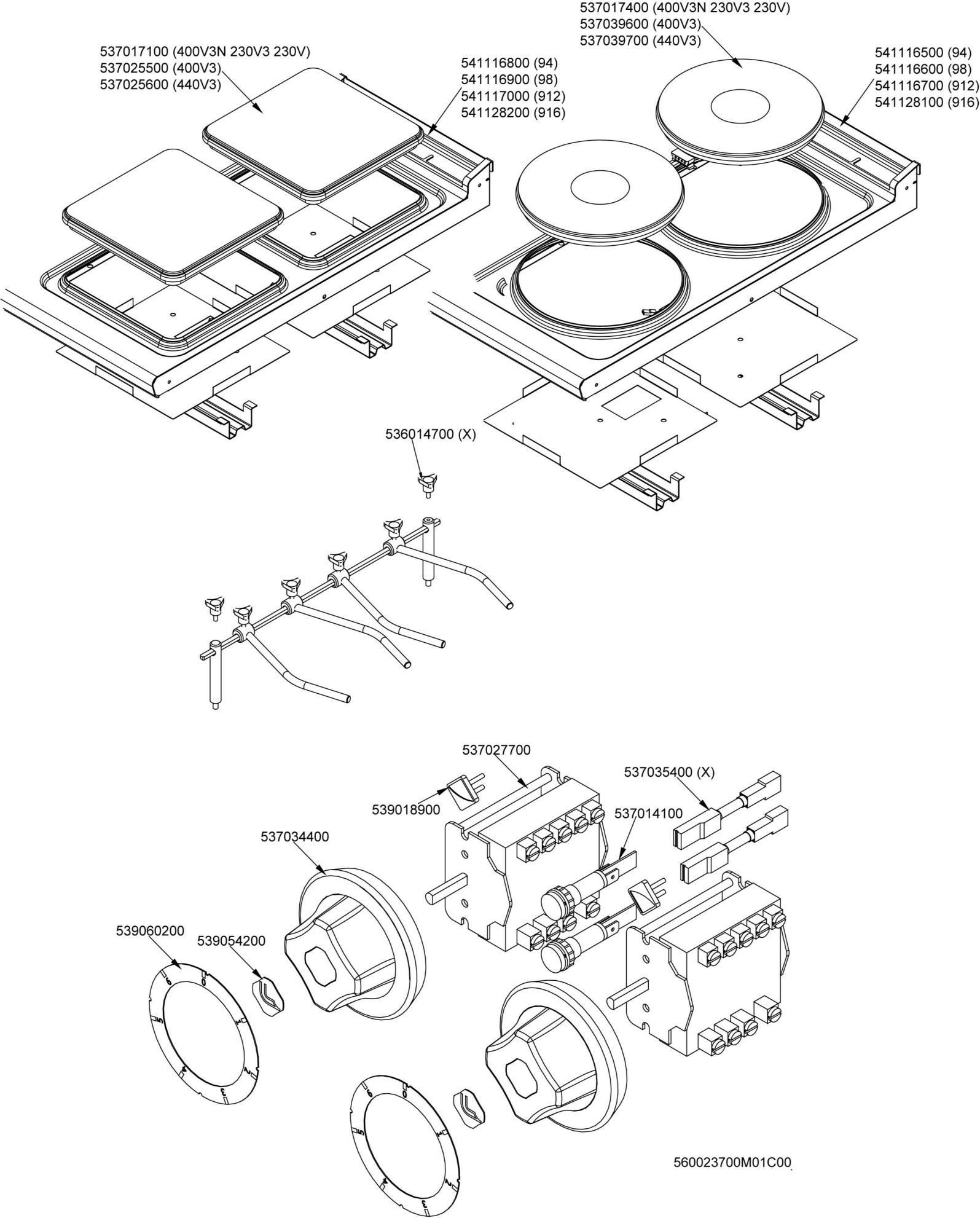
531036600

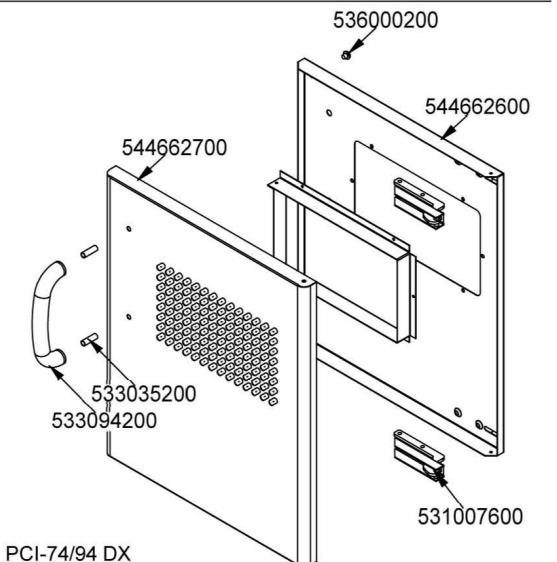
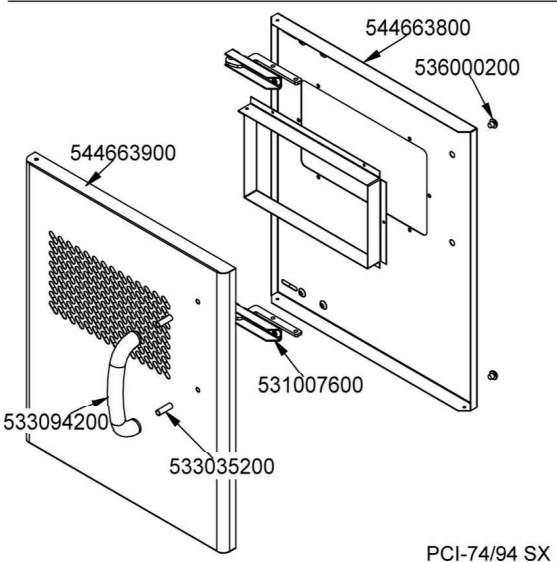
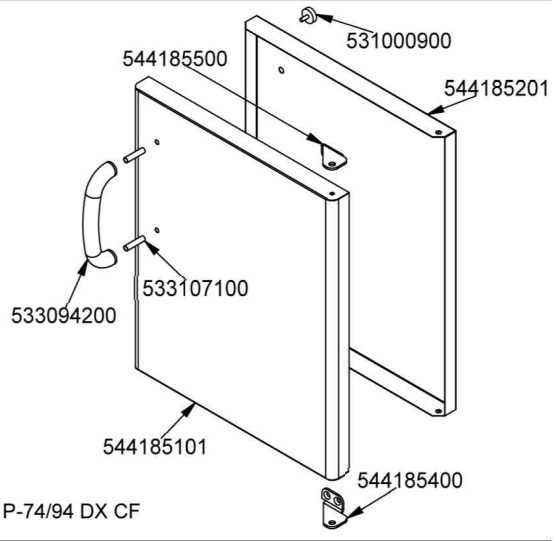
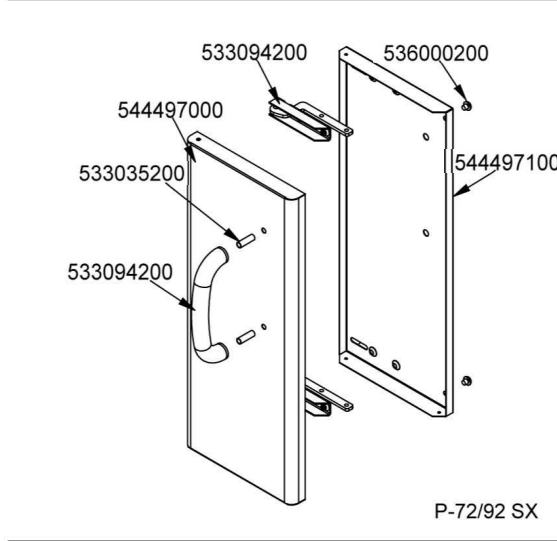
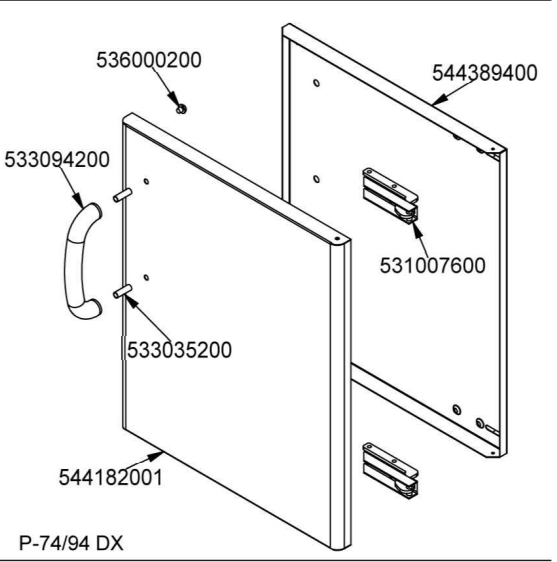
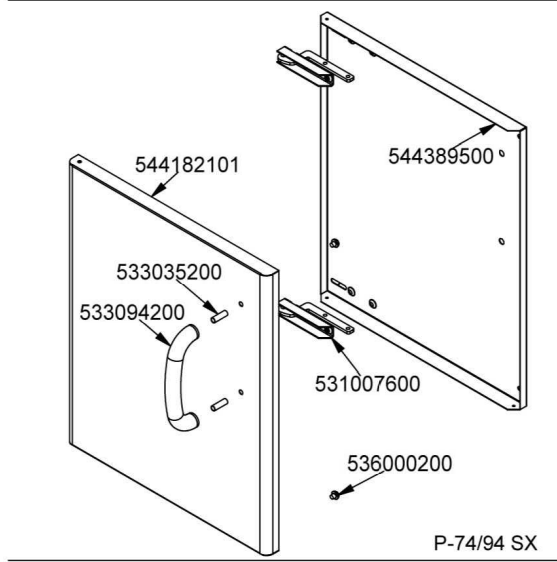
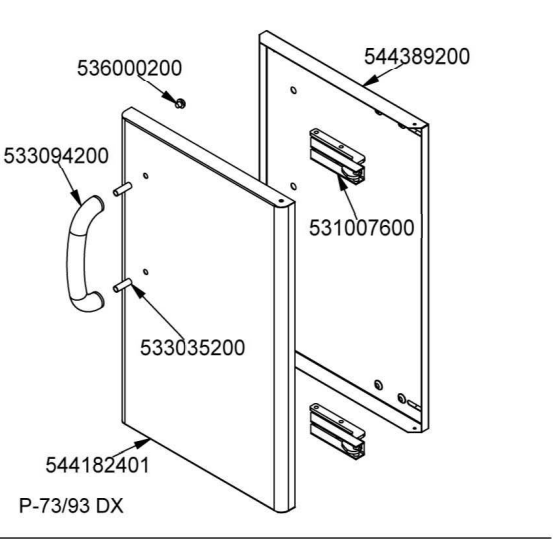
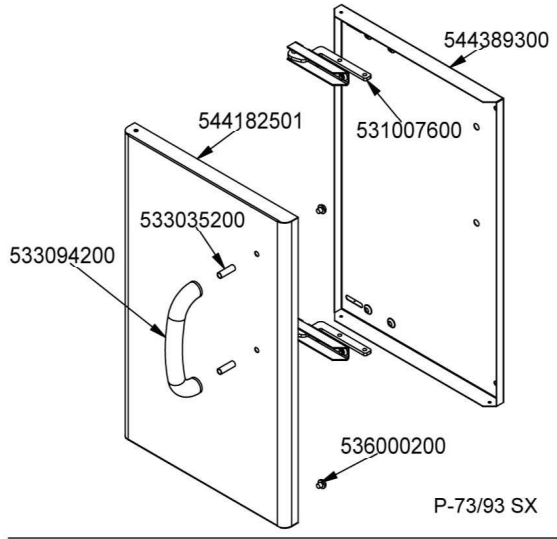
531036300

531036500

544410100







Page	Pos	Code	Description
001		532004100	FLUE GRID L=370 90LINE (RAF
001		537027400	TERMINAL BLOCK THREEPHASE 40A
001		544407200	RIGHT SIDE PANEL RANGE 70 LINE
001		541104601	CONTROL PANEL CF6-712E CF6-712EV
001		544407100	RIGHT SIDE PANEL RANGE 90 LINE
001		536005200	INOX LEG 2" 120-180 M10
002		544187100	OVEN INNER DOOR GN 2/1 70/90LINE
002		531022800	LEFT OVEN DOOR HINGE S.70
002		531013100	OVEN DOOR HANDLE OF 70/90-LINE
002		544186900	OVEN DOOR GN 2/1 70/90LINES
002		531022700	RIGHT OVEN DOOR HINGE 70LINE
002		531022900	HINGE DOOR WHEEL HOLDER S.70
002		541102300	GAS OVEN INNER DOOR GN 3/1 S.70
002		544187000	OVEN DOOR GN 3/1 S.70
003		533037600	LOCK SPRING FOR BULB
003		536010801	OVEN GASKET GN 2/1 (1308
003		531036600	LHD RACK HOLDER FOR OVEN S.90
003		531036300	OVEN RACK GN 2/1 FOR 90 LINE
003		531036500	RHD RACK HOLDER FOR OVEN S.90
003		544410100	90 ELECTRICAL OVEN BOTTOM GN2/1
004		539023900	SIGN PLATE FOR OVEN TEMPERATURE
004		537012800	SAFETY THERMOSTAT 420°C THREEPHASE
004		537000900	THERMOSTAT 063-320°C THREEPHASE
004		537014100	WHITE WARNING LIGHT 250V
004		539054200	STAMP O20,5 CR."L" LOTUS R.
004		539061900	ADESIVE DISK FOR SWITCH OVEN S70
004		536034400	KNOB §77 4P. §06*4,6 C/M
004		537034001	COMMUTATOR 4 POS.3PHASE S.42 16A
004		539028000	SELECTOR SIGN PLATE FOR OVEN
004		539018800	BLANK INDEX FOR KNOB
004		537014200	GREEN WARNING LIGHT 250V
004		539062000	ADESIVE DISK THERMOSTAT OVEN S70
004		533023600	TAP PLUG §10 M16*1, 5CH19
004		533039300	BICONE §10
004		533010800	TUBE NUT D.10 M16*1,5
004		537027800	OVENUPPER HEATING EL. W800 V230 90L
004		537027900	OVENUPPER HEATING EL. W800 V400 90L
004		537028000	OVENUPPER HEATING EL. W800 V440 90L
004		537028100	OVEN LOWER HEATING EL.W700 V230 90L
004		537028200	HEATING ELEMENT 1700W 400V OVEN S70
004		537028300	OVEN LOWER HEATING EL.W1700 V230 90
005		541116500	UPPER PLATE PC-94E
005		541116600	UPPER PLATE PC-98E CF4-98ET
005		541116700	UPPER PLATE PC-912ET CF6-912ET/ETV
005		541128100	UPPER PLATE PC-916ET
005		537017400	ELECTRICAL PLATE D.300 W3500 V230
005		537039600	ELECTRICAL PLATE D.300 W3500 V400
005		537039700	ELECTRICAL PLATE D.300 W3500 V440
005		541116800	UPPER PLATE PCQ-94E
005		541116900	UPPER PLATE PCQ-98E CFQ4-98ET
005		541117000	UPPER PLATE PCQ-912E CFQ6-912ET/ETV

Page	Pos	Code	Description
005		541128200	UPPER PLATE PCQ-916ET
005		537017100	PLATE 300X300 W4000 V230
005		537025500	PLATE 300X300 W4000 V400
005		537025600	PLATE 300X300 W4000 V440
005		536014700	3 DRILL WHEELS
005		537035400	HEATING ELEMENT 00003W 330KOHM W/F
005		537014100	WHITE WARNING LIGHT 250V
005		537027700	COMMUTATOR 7 POSITIONS S.43 32A
005		539018900	INDEX FOR KNOB W/RED SIGN
005		537034400	HEATING EL. 470X270 9500W230V
005		539054200	STAMP Ø20,5 CR."L" LOTUS R.
005		539060200	RED ADESIVE DISK FOR PC-E
006		544389300	CONTROP.73 SX APP. LT
006		531007600	DOOR HINGE
006		544182501	LEFT DOOR 73
006		533094200	S/S HANDLE FOR 70/90 SERIES
006		533035200	HANDLE SPACER
006		536000200	D.12 H.4 BUMPER
006		544389200	CONTROP.73 DX APP. LT
006		544182401	RIGHT DOOR 73
006		544182101	LEFT DOOR 74
006		544389500	INNER-DOOR OF LHD 74
006		544389400	CONTROP.74 DX APP. LT
006		544182001	RIGHT DOOR 74
006		544497000	PORTA 72 SX
006		544497100	CONTROP.72 SX APP. LT
006		544185101	RIGHT DOOR 74 CF
006		533107100	HANDLE SPACER OF CF-70
006		544185500	UPPER DOOR HINGE FOR COMPARTME CF70
006		531000900	MAGNET §22 KG.3 WITH DISK
006		544185201	INNER DOOR * 74DX
006		544185400	LOWER DOOR HINGE FOR COMPARTME CF70
006		544663900	LHD 74 DOOR FOR PCI
006		544663800	74 LHD OVEN INNER DOOR FOUR PCI
006		544662700	DOOR 74 DX PCI
006		544662600	CONTROP.74 DX APP. LT PCI