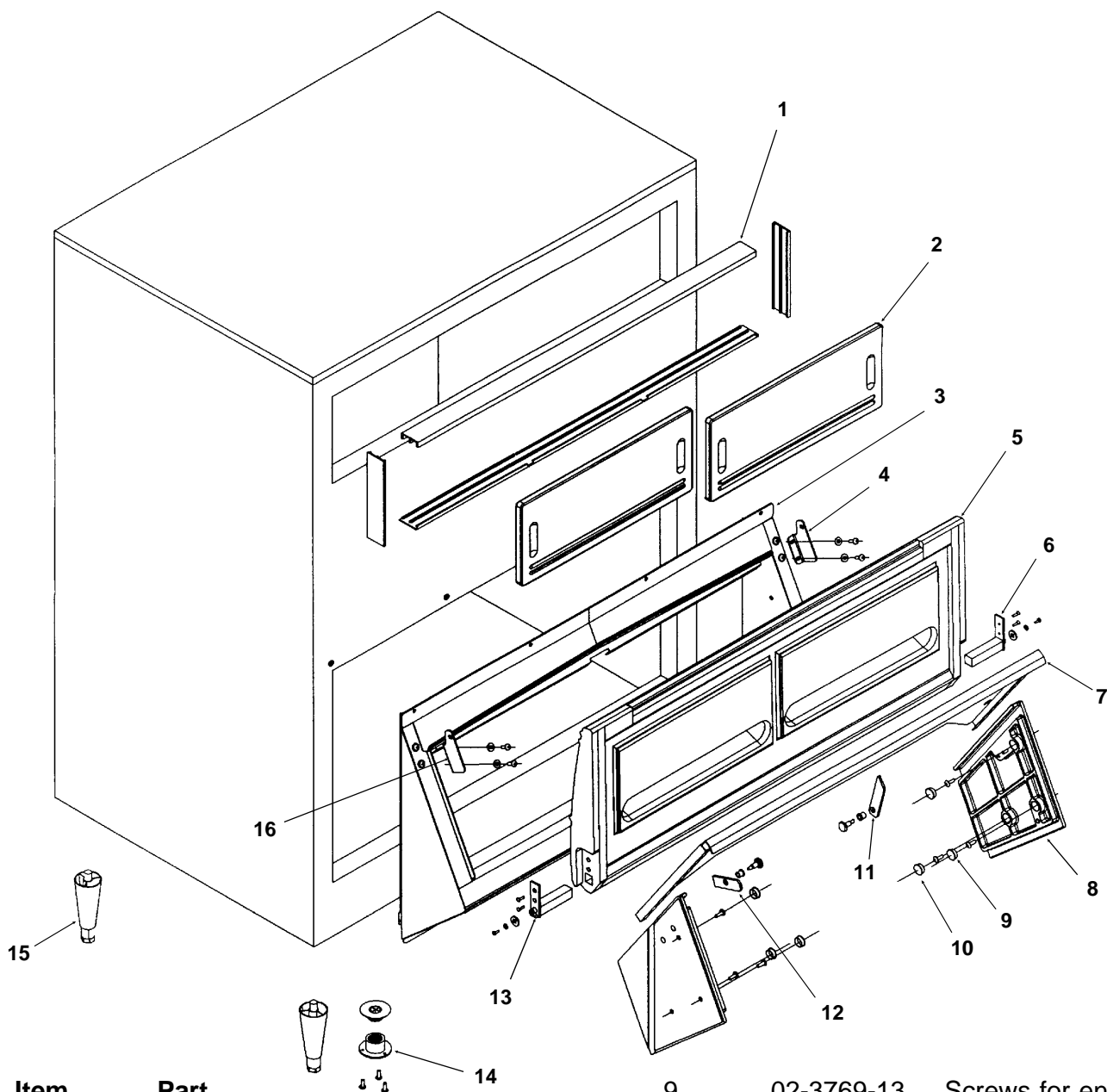


# Bins and Accessories Service Parts

## BH1356, BH1650, BH1366 & BH1666 Ice Storage Bin



| Item Number | Part Number | Description                           | Part Number     | Description                     |
|-------------|-------------|---------------------------------------|-----------------|---------------------------------|
| 1           | 02-3769-02  | Track                                 | 9               | 02-3769-13 Screws for end plate |
| 2           | 02-3769-16  | Window                                | 10              | 02-3769-14 Plugs for end plate  |
| 3           | 02-3769-04  | Lower frame assy,<br>BH1356 or BH1650 | 11              | 02-3769-10 Catch for end plate  |
|             | 02-3769-20  | Lower frame assy,<br>BH1366 or BH1666 | 12              | 02-3769-15 Ice gate retainer    |
| 4           | 02-3769-08  | Left and right hinges                 | 13              | 02-3769-06 Left hinge           |
| 5           | 02-3769-05  | Door with door hinges                 | 14              | 02-3769-01 Plastic drain        |
| 6           | 02-3769-07  | Right hinge                           | 15              | KLP2S Legs                      |
| 7           | 02-3769-09  | Ice gate, BH1356 or BH1650            | Not Illustrated |                                 |
|             | 02-3769-21  | Ice gate, BH1366 or BH1666            | 02-3769-18      | Optional Probe tool             |
| 8           | 02-3769-12  | End plate guide (pair)                | 02-3769-19      | Optional Plastic ice shk        |
|             |             |                                       | 02-3775-01      | Z brackets                      |
|             |             |                                       | 03-1645-01      | Screw for Z brackets            |
|             |             |                                       | 02-3769-17      | Gasket                          |
|             |             |                                       |                 | (only for BH1366 or BH1666)     |