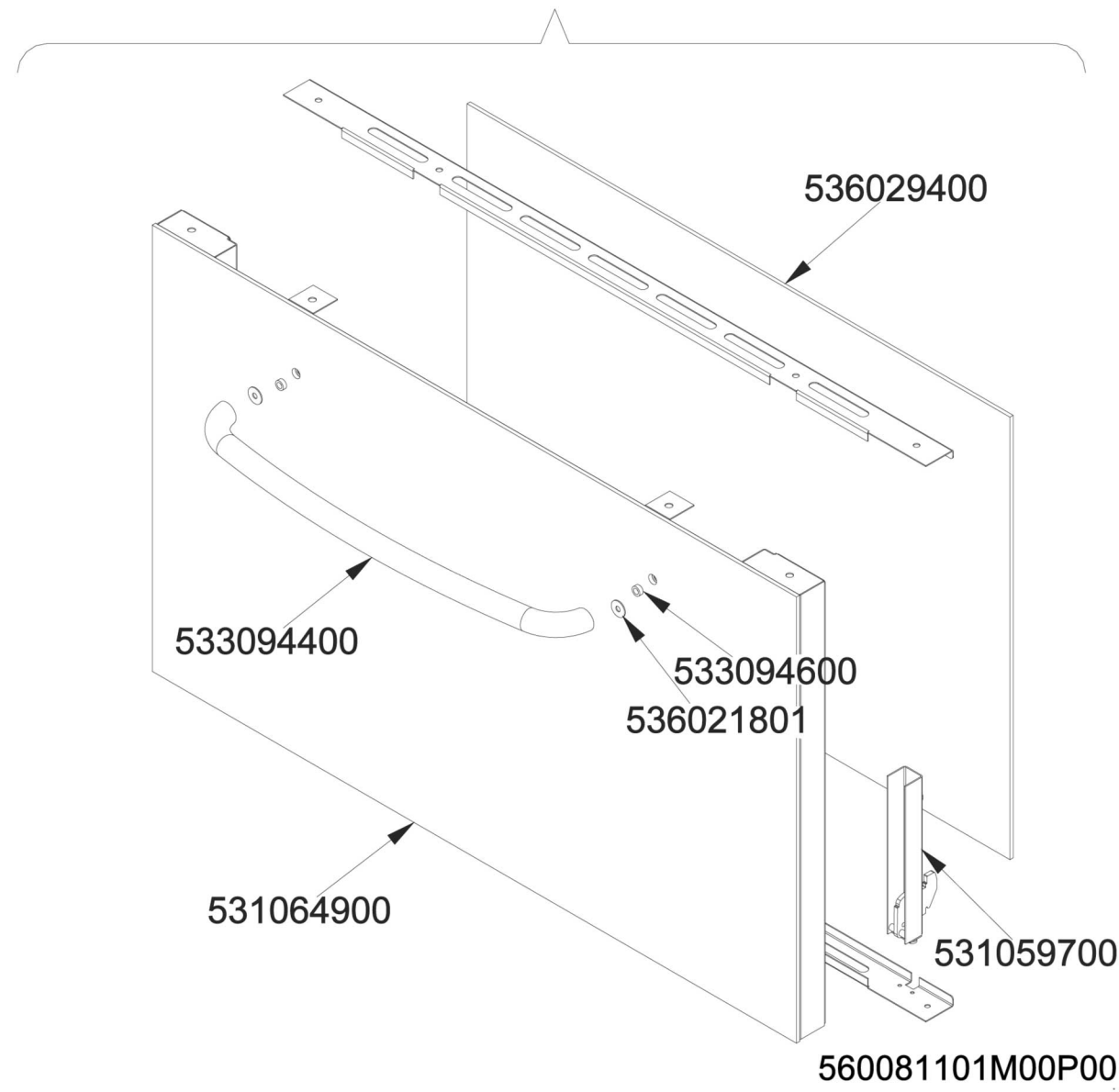
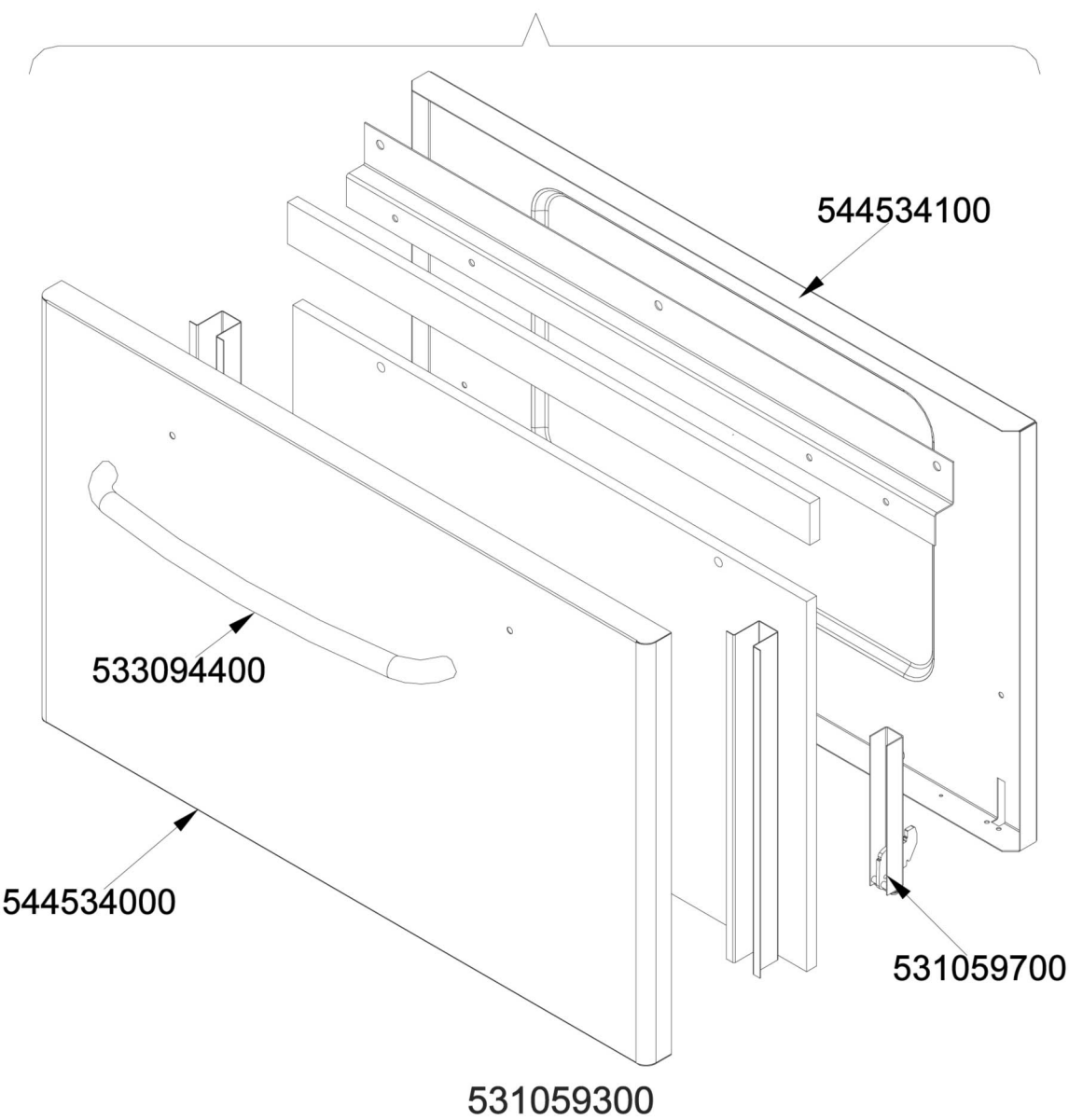
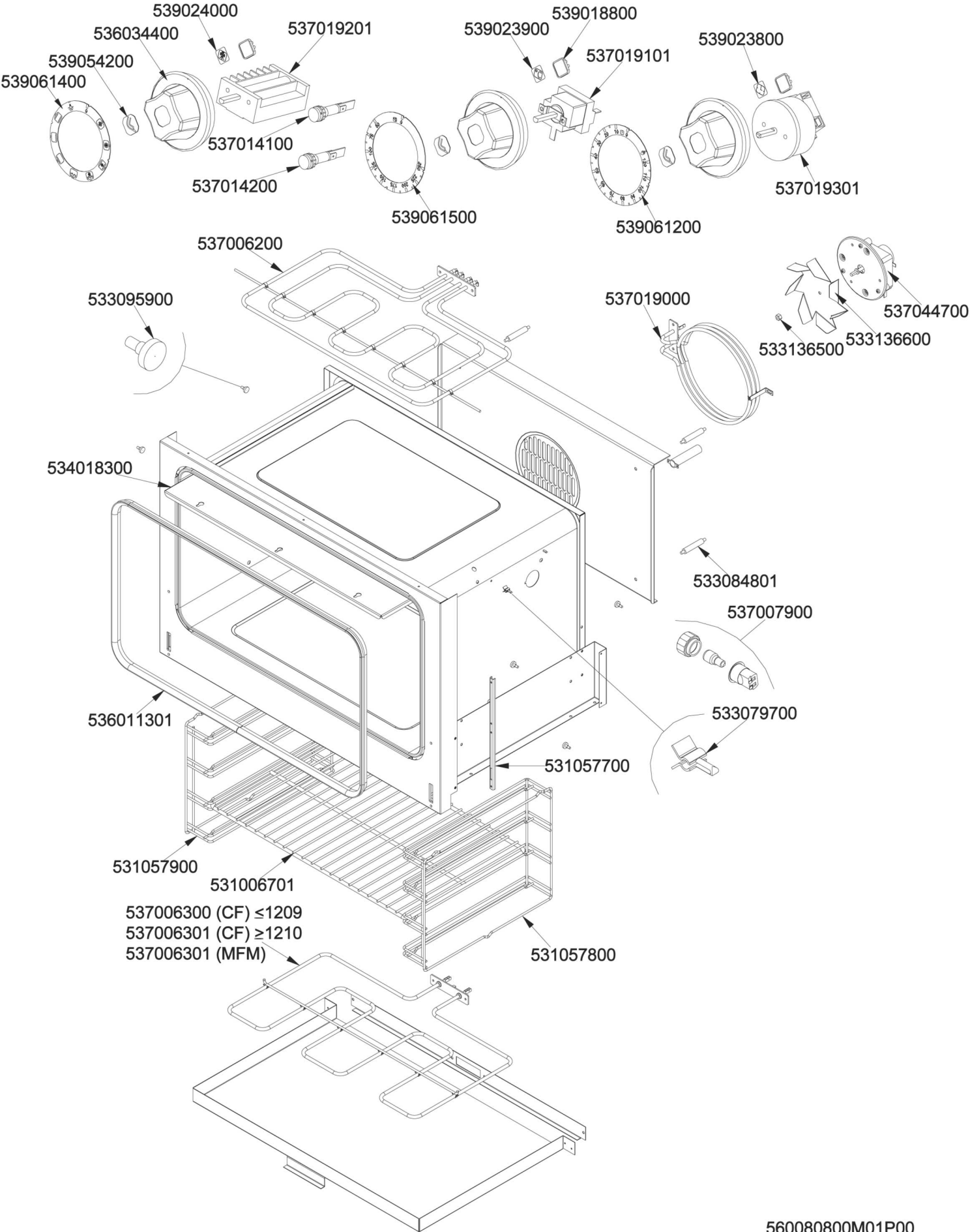


531059201





537017000 (400V3N 230V3 230V)
537022700 (400V3)
537025800 (440V3)

544191100 (74)
544191200 (78)
544191300 (712)

537019900 (400V3N 230V3 230V)
537022600 (400V3)
537025700 (440V3)

544190800 (74)
544190900 (78)
544191000 (712)

536014700 (X)

539018900

536034400

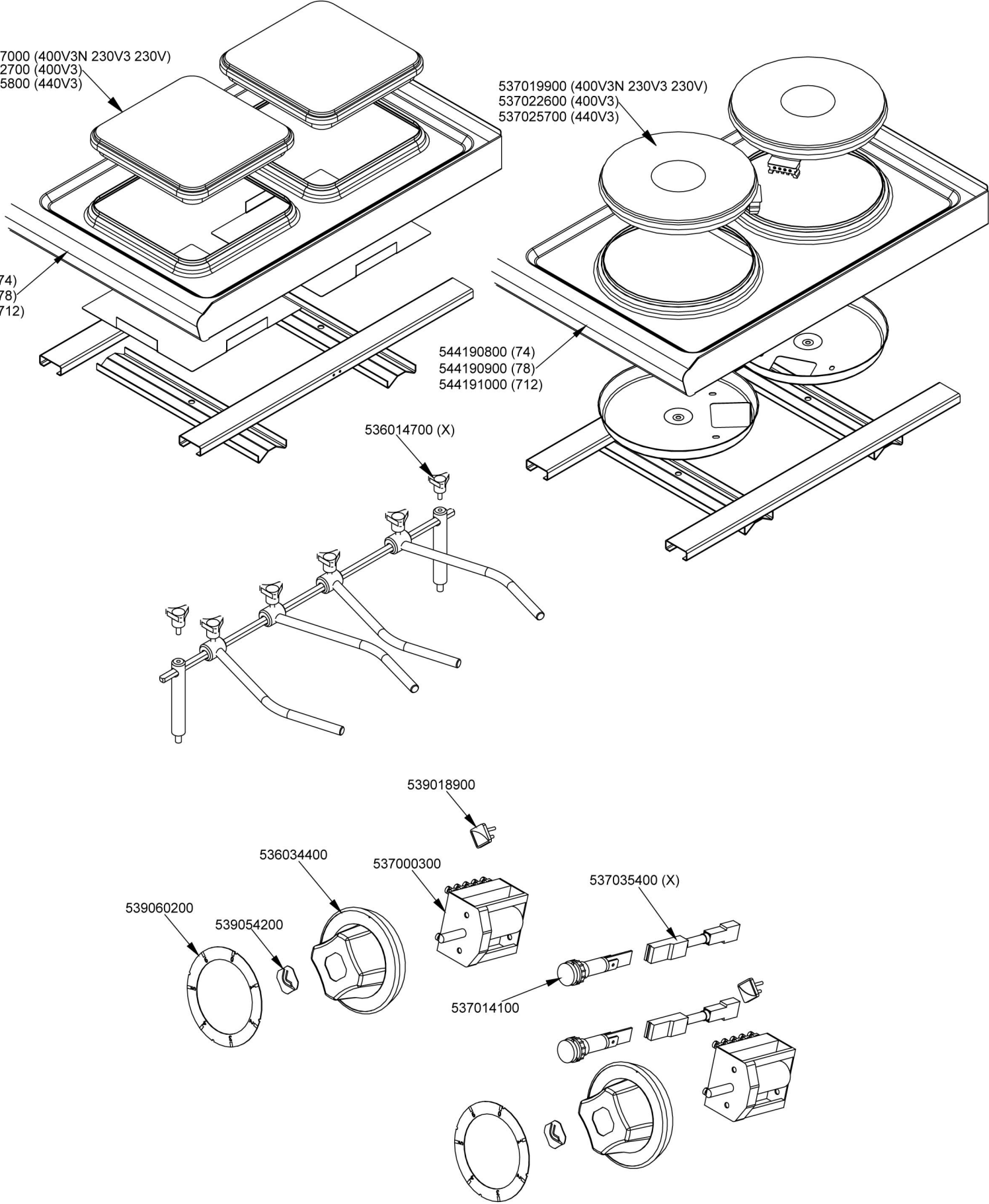
537000300

537035400 (X)

539060200

539054200

537014100



Page	Pos	Code	Description
001		537002100	ELECTRICAL PLATE D.145 W1000 V230
001		537019800	ELECTRICAL PLATE D.180 W2000 V230
001		541198800	CONTROL PANEL 60T CF4-610 ET
001		544540300	
001		537027400	TERMINAL BLOCK THREEPHASE 40A
001		541194700	CONTROL PANEL 607090 CF4-610 E
001		544562900	SIDE PANEL OF OVEN DOOR CF 610
001		531048400	INOX LEG Ø1"3/4 100-165 M10
001		544540200	
002		531059201	COMPLETE S/S DOOR FOR MAXI 600 OVEN
002		544534100	INNER DOOR OF MAXI OVEN OF 60T-LINE
002		533094400	S/S OVEN DOOR HANDLE FOR 60T-LINE
002		544534000	S/S DOOR FOR MAXI OVEN OF 60T LINE
002		531059700	DOOR HINGE FOR MAXI OVEN 60.LINE
002		531059300	OVEN DOOR * S60T 68 GLASS C.
002		536029400	INTERNAL GLASS OVEN DOOR MAXI
002		533094600	BUSH P.F. 60-LINE
002		536021801	DOOR HANDLE SPACER FOR MAXI OVEN
002		531064900	EXTERNAL GLASS MAXI OVEN DOOR+FRAME
003		539061400	ADESIVE DISK FOR SWITCH OVEN S60
003		539054200	STAMP Ø20,5 CR."L" LOTUS R.
003		536034400	KNOB §77 4P. §06*4,6 C/M
003		539024000	SIGN PLATE FOR OVEN SELECTOR
003		537019201	OVEN COMMUTATOR MULTIF.60+65
003		539023900	SIGN PLATE FOR OVEN TEMPERATURE
003		539018800	BLANK INDEX FOR KNOB
003		537019101	THERMOSTAT MONOPHAS.050-320°C F.MF
003		539023800	LABEL FOR OVEN TIMER
003		537019301	TIMER ELECT.120' 4 T.F. MF
003		539061200	ADHESIV.DISK FOR TYMER EL. OVEN
003		539061500	ADESIVE DISK OVEN THERMOSTAT S60
003		537014200	GREEN WARNING LIGHT 250V
003		537014100	WHITE WARNING LIGHT 250V
003		533095900	PIN FOR GRIDSHOLDER SUPPORT CF 60
003		537006200	UPPER OVEN HEATING EL.3000W 230V
003		537019000	CIRCULAR HEATING ELEMENT FOR OVEN
003		533136500	NUT FOR FAN S60T
003		533136600	OVEN MOTOR OF S60T
003		537044700	S60/65/60T MOTORFAN
003		534018300	KNOB PROTECTION FOR MAXI CF 60T
003		533084801	PANEL SPACER OF AIR DIFF.MAXI OVEN
003		536011301	GASKET FOR MAXI 60T-OVEN L=1980
003		537007900	OVEN BULB-SOCKET WITH LAMP
003		533079700	LOCK SPRING FOR BULB §3/§4
003		531057700	DOOR WHEEL HOLDER F.MAXI OVEN 60T
003		531057900	LHD GRIDS HOLDER FOR MAXI-OVEN
003		531006701	MAXI OVEN GRID FOR S60/65
003		537006300	LOWER OVEN HEATING EL.W1600 230CF8/
003		537006301	COVERED HEATING ELEMENT MAXI OVEN
003		531057800	RHD GRIDS HOLDER FOR MAXI-OVEN
004		537017000	PLATE 220X220 W2600 V230

Page	Pos	Code	Description
004		537022700	ELECTRICAL PLATE 220X220 W2600 V400
004		537025800	PLATE 220X220 W2600 V440
004		537019900	PLATE D.220 W2600 V230
004		537022600	ELECTRICAL PLATE D.220 W2600 V400
004		537025700	ELECTRICAL PLATE D.220 W2600 V440
004		544191100	UPPER PLATE PC-74E SQUARE PLATE
004		544191200	UPPER PLATE PC-78E SQUARE PLATE
004		544191300	UPPER PLATE PC-712E SQUARE PLATE
004		544190800	UPPER PLATE PC-74E ROUND PLATE
004		544190900	UPPER PLATE PC-78E ROUND PLATE
004		544191000	UPPER PLATE PC-712E ROUND PLATE
004		536014700	3 DRILL WHEELS
004		539060200	RED ADESIVE DISK FOR PC-E
004		539054200	STAMP Ø20,5 CR. "L" LOTUS R.
004		536034400	KNOB §77 4P. §06*4,6 C/M
004		537000300	COMMUTATOR 7 POSITIONS S.49 16A
004		539018900	INDEX FOR KNOB W/RED SIGN
004		537035400	HEATING ELEMENT 00003W 330KOHM W/F
004		537014100	WHITE WARNING LIGHT 250V