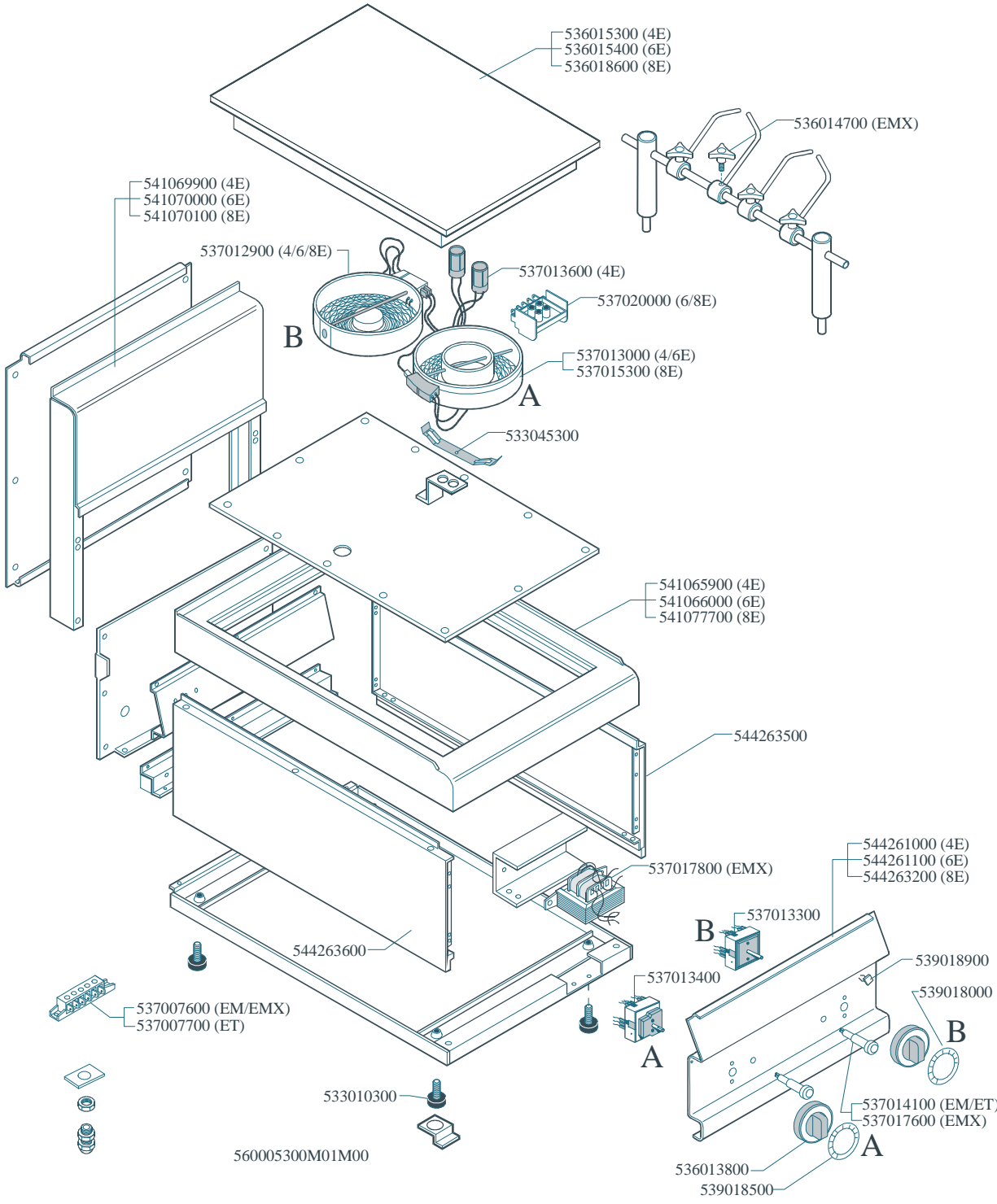


MAGIC PROF 65

ELETTRICO / ELECTRIC / ELEKTRO / ELECTRIQUE

PCC-4EM PCC-4ET PCC-6EM PCC-6ET PCC-8ET PCC-4EMX PCC-6EMX PCC-8EMX
N°≤0301



Page	Pos	Code	Description
001		536015400	CERAMIC SHEET COMPLETE W/FRAME PCC6
001		536014700	3 DRILL WHEELS
001		541070000	NEUTRAL SPACER 6
001		537012900	ELECTRICAL PLATE 1800W 230W PCC-65
001		537020000	REMAINING HEAT 4 PILOT LIGHTS UNIT
001		537013000	ELECTRICAL PLATE 1700W 230V PCC-65
001		533045300	PLATE SPRING PCC
001		541066000	UPPER PLATE PCC-6E
001		544263500	RIGHT SIDE S.65
001		544261100	CONTROL PANEL PC/C-6E
001		537017800	TRANSFORMER 230V/100V 10VA
001		537013300	CURRENT REGULATOR FOR ELEC. PLATE
001		537013400	CURRENT REG. FOR DOUBLE ELEC. PLATE
001		539018900	INDEX FOR KNOB
001		539018000	ADHESIVE GRAD.DISC 7POS.DOUBLE RED
001		544263600	LEFT SIDE S.65
001		537007600	TERMINAL BLOCK SINGLEPHASE 40A
001		536013800	KNOB D.70 BLACK 6*5 WITH SPRING
001		539018500	ADHESIVE GRADUATED DISC FOR KNOB
001		533010300	ADJUSTABLE FOOT M10*20 D.23
001		537017600	WHITE WARNING LIGHT LOW BUD 110V