

# DISHWASHER

ELECTRONICAL SWITCHES  
LOWER AND UPPER WASHING

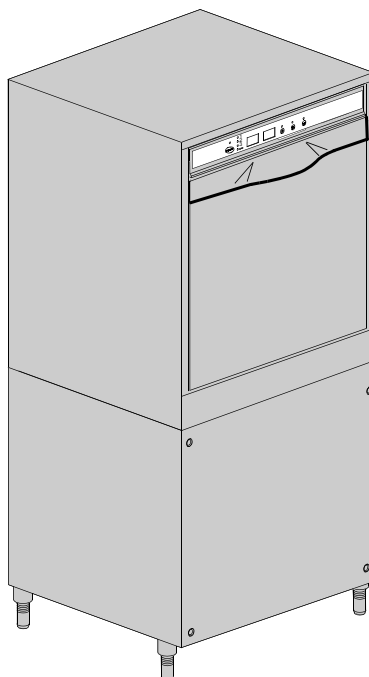
TYPE: 20ELK

Accessories  
BREAK TANK  
BOOSTER PUMP  
DVGW  
WATER SOFTNER  
DETERGENT DISPENSER  
DRAIN PUMP

---

## Spare parts manual

---



**INFORMAZIONI GENERALI**

Questo catalogo serve per richiedere con esattezza le parti di ricambio

Nelle ordinazioni indicare:

1) il numero dei codici dei particolari seguito dalla descrizione e la quantità desiderata;

2) Il codice alfa-numeric presente nella seconda colonna della tabella ;

**I disegni delle parti di ricambio sono solo indicativi e non rappresentano il pezzo in oggetto.**

**I dati contenuti in questo catalogo sono indicativi e possono essere soggetti a modifiche senza impegno di preavviso.**

**ALLGEMEINE INFORMATIONEN**

Dieser Ersatzteilkatalog dient zur genauen Angabe der Teile bei Ersatzteilbestellungen.

Bei Ersatzbestellung ist folgendes anzugeben:

1) Die Bestellnummer der Ersatzteile mit der entsprechenden Beschreibung genaue Menge;

2) Der alpha-numerischer Code auf der zweiten Reihe in dein Spalte;

**Die Zeichnungen der Ersatzteile sind nur als Hinweise gedacht und stellen nicht das betroffene Teil dar.**

**Bei den im Katalog angeführten Daten handelt es sich um Anhaltsdaten, die jederzeit, ohne Vorankündigung, geändert werden können.**

**GENERAL INFORMATION**

The present spare parts order exactly the right spare parts

When ordering specify:

1) the part's code number followed by its description and quantity needed;

2) The alpha-numeric code is in the second column in the chart;

**Spare parts drawings are general and do not represent the part.**

**The contents of this catalogue are general and can undergo changes without prior notice.**

**INFORMACIONES GENERALES**

El presente catálogo sirve para pedir con exactitud las partes de repuesto

En los pedidos se debe indicar:

1) el número de código de la parte y a continuación la descripción cantidad deseada;

2) El código alfanumerico presente en la signada columna de la tabla;

**Los diseños de las partes de recambio son solo indicativos y no representan la pieza en cuestión.**

**Los datos contenidos en el presente catálogo son indicativos y pueden modificarse sin aviso previo.**

**INFORMATIONS GENERALES**

Ce catalogue permet de commander correctement les pièces détachées

Les commandes doivent être passées en indiquant:

1) le numero de code des pièces détachées suivi de leur description quantité désirée;

2) le code alphanumérique dans la deuxième colonne du tableau;

**Les plans des pièces détachées sont fournis seulement à titre indicatif et ne représentent pas la pièce concernée.**

**Les données de ce catalogue sont citées seulement à titre indicatif et peuvent être l'objet de modifications sans avis préalable.**

**ESEMPIO  
EXAMPLE  
EXEMPLE  
BEISPIEL**

Rif.	Codici
MODULE:Particolari	
10505	540903
10510	540908
10515	15065/A
10520	540086
10525	540028

**Note**

Tutte le informazioni riportate si intendono aggiornate alla data di stampa. Il Produttore si riserva il diritto di apportare qualsiasi modifica richiesta dallo sviluppo evolutivo dei suddetti prodotti.

Per la sicurezza, la garanzia, l'affidabilità ed il valore della lavastoviglie usa solo ricambi originali.

**Attenzione**

Questo libretto è parte integrante della lavastoviglie e, in caso di passaggio di proprietà, deve essere consegnato al nuovo acquirente.

**Remarque**

Toutes les informations contenues dans ce manuel s'entendent mises à jour à la date d'impression. En raison du développement constant de ses produits, usine se réserve le droit d'apporter à tout instant les modifications qu'elle jugera utiles.

Pour la sécurité, la garantie, la fiabilité et la valeur de votre lavevaisselles n'utilisez que des pièces de rechange d'origine.

**Attention**

Ce manuel doit être considéré comme partie intégrante de la la lavevaisselles, en cas de transfert de propriété, doit toujours être remis au nouveau propriétaire.

**Note**

The information contained herein is valid at the time of going to print. The Company reserves the right to make any changes required by the future development of the above-mentioned products.

For your safety, as well as to preserve the warranty reliability and worth of your dishwashers, use original spare parts only.

**Warning**

This manual forms an integral part of the dishwashers and - if a transfer of title occurs - must always be handed over to the new owner.

**Hinweis**

Die Der Hersteller behält sich das Recht vor, jegliche, durch eine Weiterentwicklung der genannten Produkte bedingte Änderungen vornehmen zu können.

Verwenden Sie für Ihre Sicherheit, die Garantie, die Zuverlässigkeit und den Wert Ihrer machine originale Ersatzteile.

**Achtung**

Diese Betriebsanleitung ist Bestandteil des machine und muss bei seinem Weiterverkauf dem neuen Besitzer ausgehändigt werden.

## 1. Spare parts

General body parts.....	7
Lockup system .....	9
Electric control components.....	11
Electric control ELEKTRO.....	13
Solenoid valve group .....	15
Solenoid valve group .....	17
Break Tank .....	19
Booster pump.....	21
DVGW .....	23
Water softner group.....	25
Rinse aid dispenser group.....	27
Boiler group .....	29
Wash pump .....	31
Dosing detergent group.....	33
Dosing detergent group.....	35
Drain pump group.....	37

**Pressure switch group with air trap ...39**

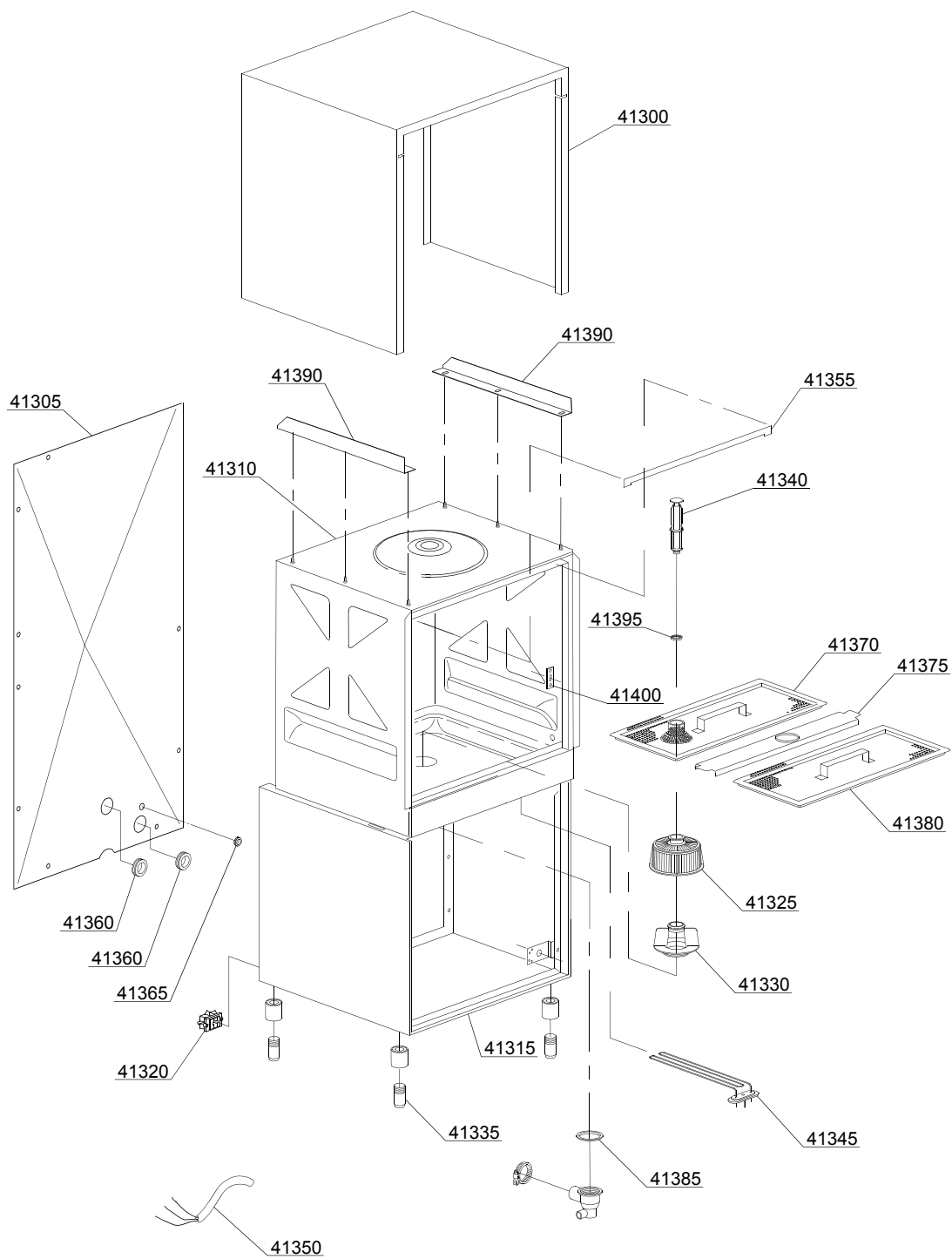
**Turret group with rotating arms .....41**

## 1.1 Voltage codes

Voltage code	Voltage
A	3/N/PE~400/230V 50Hz
B	~250V 16A 50Hz
C	3/N/PE~380/220V 50Hz
D	3/PE~200V 50-60Hz
F	2/PE 220-240V 50Hz
G	3/N/PE~415/240V 50Hz
H	3/PE~230V 50Hz
I	3/PE~220V 60Hz
J	3/PE~380 50Hz
K	3/PE~400V 50Hz
L	3/PE~415V 50Hz
M	3/PE~440V 60Hz
N	3/PE~460V 60Hz
O	3/PE~480V 60Hz
P	1/N/PE~220-240V 50Hz
R	2/PE~220-230V 60Hz
S	3/N/PE~400/230V 50Hz
T	3/PE~230V 60Hz

## 1.2 Product codes

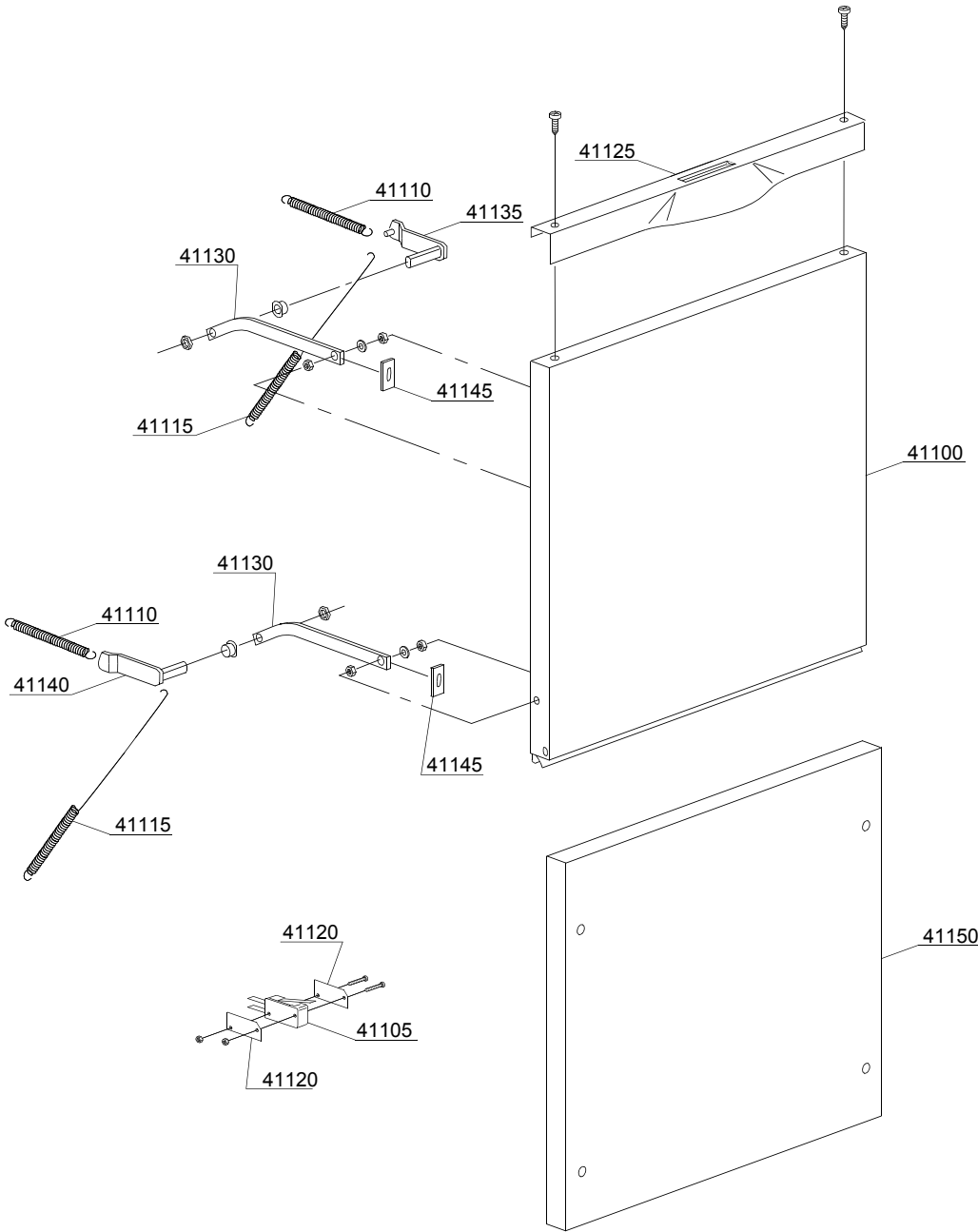
Product code	Full name
Model codes	
ec	ELECTRONICAL SWITCHES
ls	LOWER AND UPPER WASHING
Type codes	
20ELK	20ELK
Accessory codes	
bt	BREAK TANK
pap	BOOSTER PUMP
dvgw	DVGW
d	WATER SOFTNER
dde	DETERGENT DISPENSER
ps	DRAIN PUMP



01\_035\_e

## Spare parts

ID	P-code	Model	Type	Accessory	Voltage	Description
MODULE:General body parts						
41300	550944		20ELK			Cover
41305	550945		20ELK			Back panel
41310	550900		20ELK			Body
41315	550903		20ELK			Steel base
41315	550937		20ELK			Body assembly + steel base
41320	15065/A		20ELK			Cable-fastener with screw
41325	500616		20ELK			Suction filter
41330	500615		20ELK			Ferrule with filter
41335	15116		20ELK			Foot
41340	500619		20ELK			Overflow pipe
41345	150047		20ELK			2,7/2,94KW 230/240V heating element
41350	80200		20ELK			5x4x3400 cable
41355	550207		20ELK			Door ledge O-ring
41360	13324		20ELK			Ø46 mm lead through rubber
41365	13323		20ELK			Ø13 mm lead through rubber
41370	550912		20ELK			Surface filter for overflow
41375	75926		20ELK			Sleeper holder-filter
41380	75626		20ELK			Surface half-filter
41385	80208		20ELK			95x75x3 O-ring
41390	550947		20ELK			Right/left internal slide
41395	13021		20ELK			DEM 40 O-ring
41400	150401		20ELK			Door rod slide

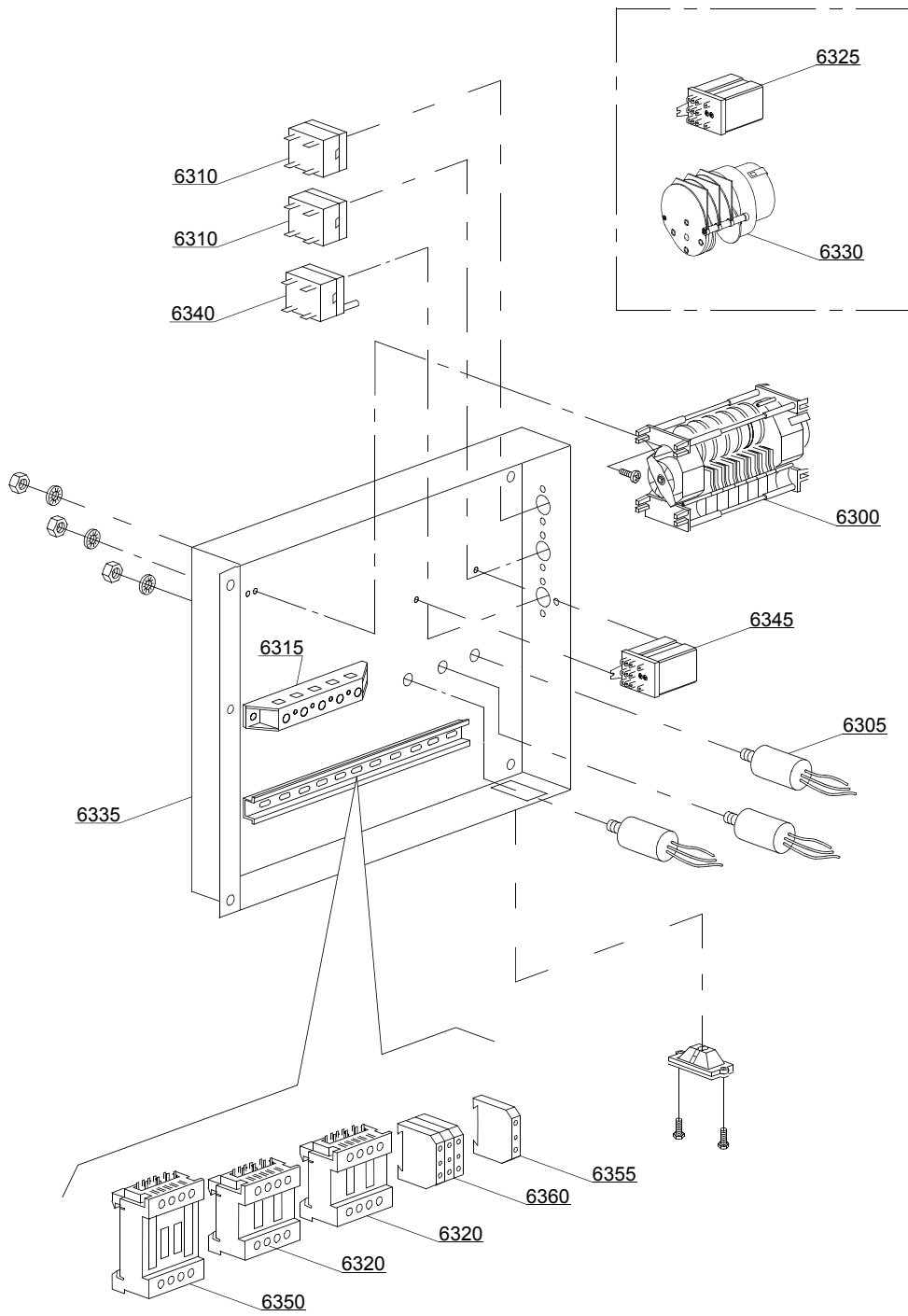


02\_306\_e



## Spare parts

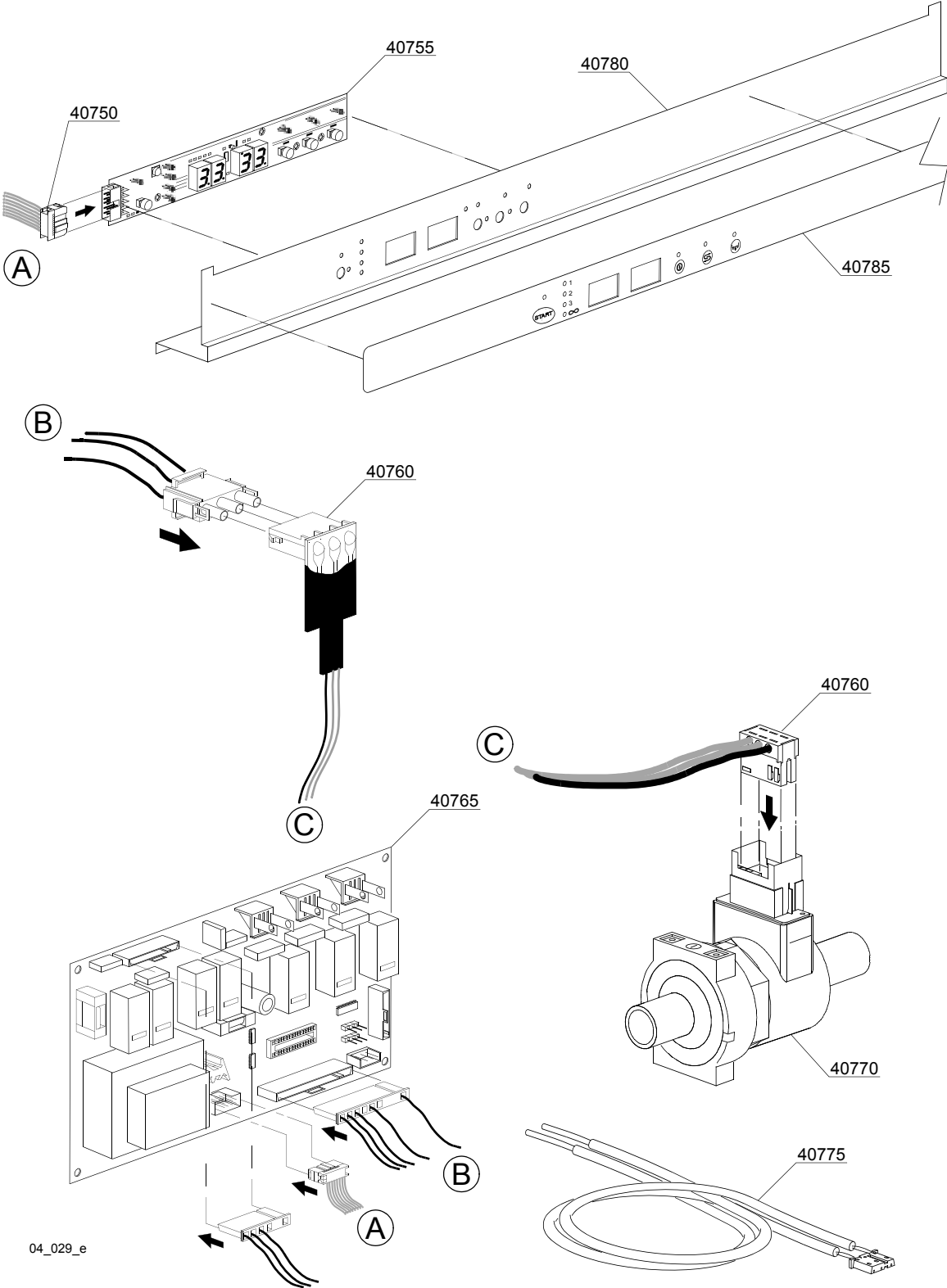
ID	P-code	Model	Type	Accessory	Voltage	Description
MODULE:Lockup system						
41100	550950		20ELK			Door
41105	10704		20ELK			Door microswitch
41110	550206/A		20ELK			Short spring door
41115	550212		20ELK			Long spring door
41120	10770		20ELK			Insulation for door microswitch
41125	550939		20ELK			Steel handle
41130	150221/A		20ELK			Door rod
41135	550908		20ELK			Right hinge door
41140	550909		20ELK			Left hinge door
41145	135222		20ELK			Hinge door seal
41150	550955		20ELK			Under door
41150	550956		20ELK			Under door
41150	550957		20ELK			Under door



04\_008\_e

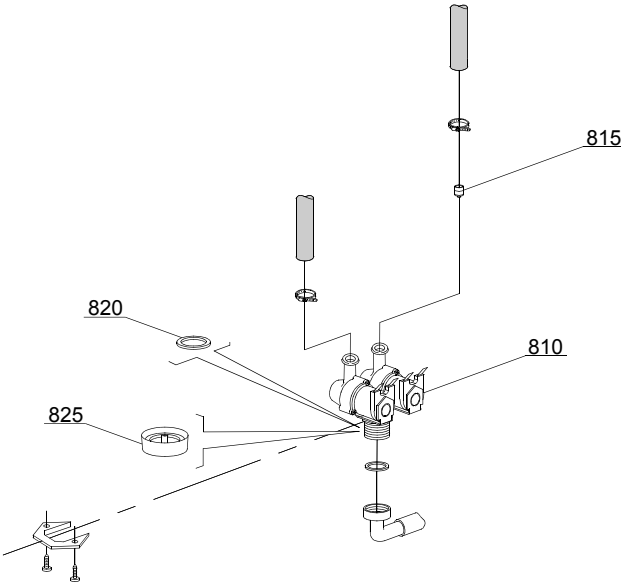
## Spare parts

ID	P-code	Model	Type	Accessory	Voltage	Description
MODULE:Electric control components						
6300	22011		20ELK			120/240"" timer with thermostop
6305	15149		20ELK			Low noise filter
6310	10707/1		20ELK			0-90°C thermostat
6315	500551		20ELK			6 poles terminal board
6315	500550		20ELK			3 poles terminal board
6320	15086		20ELK			Contactactor 230V 50/60Hz 4C
6320	15086/B		20ELK			Contactactor 240V 50Hz
6325	16037		20ELK	ws		16A bipolar relay
6330	16064/A		20ELK	ws		Regeneration timer
6335	550907		20ELK			Electric components panel
6340	2000430		20ELK			Safety thermostat
6345	15620		20ELK			Bipolar relay in deviation
6350	10300050		20ELK			25A/12A contactor - 230V 50/60HZ
6350	10300052		20ELK			36A/20A contactor - 230V 50/60HZ



## Spare parts

ID	P-code	Model	Type	Accessory	Voltage	Description
MODULE:Electric control ELEKTRO						
40750	50582		20ELK			"Elite"plug
40755	50581		20ELK			Touche sensitive "Elite"
40760	50584		20ELK			"Elite"water flow board
40765	50580		20ELK			"Elite"electronic timer+main board
40770	50583		20ELK			Water flow meter for "Elite"board
40775	50562		20ELK			Temperature probe set
40780	550958		20ELK			ELEKTRON 1000 Control Panel
40785	560042		20ELK			Silkscreen processed grill

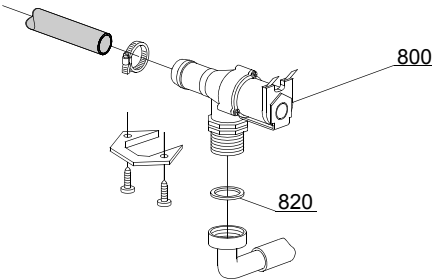


05\_003\_e

## Spare parts

---

ID	P-code	Model	Type	Accessory	Voltage	Description
MODULE: Solenoid valve group						
810	15098		20ELK	cr,ws		Double solenoid valve - Ø10
815	15115		20ELK	cr,ws		Green pression solenoid valve
820	N.C.		20ELK	cr,ws		Pression reducing valve



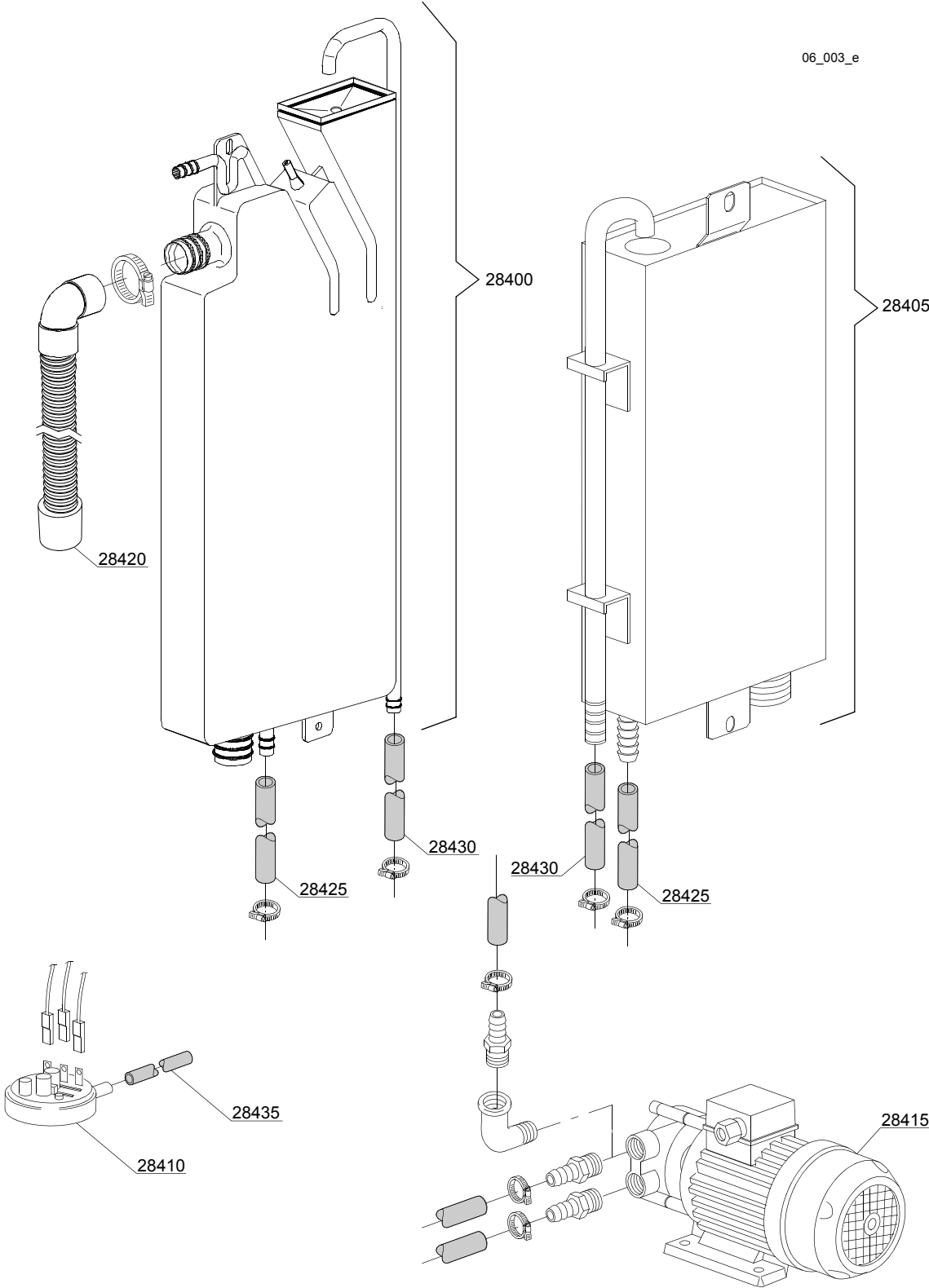
05\_005\_e



## Spare parts

---

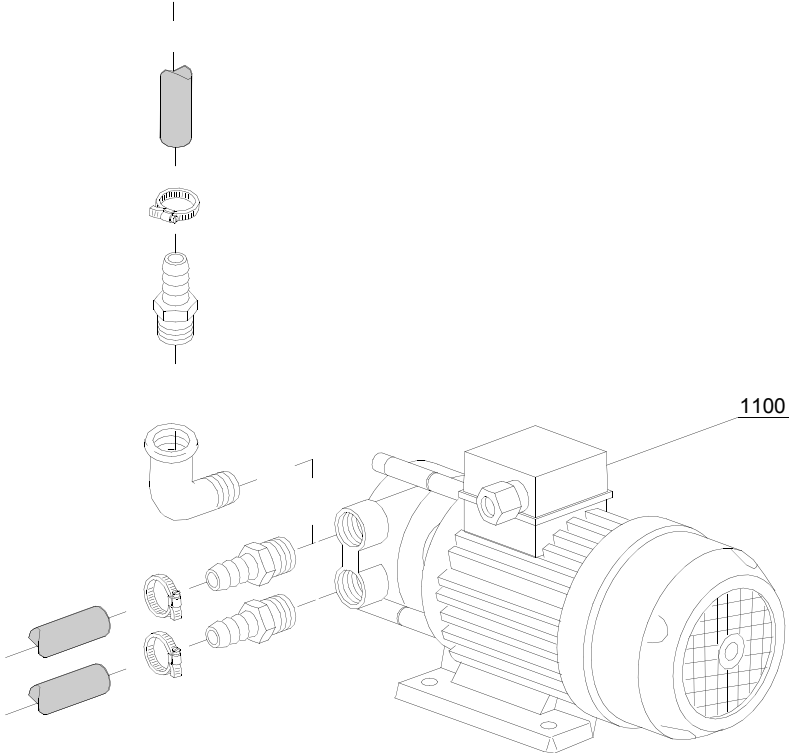
ID	P-code	Model	Type	Accessory	Voltage	Description
MODULE: Solenoid valve group						
800	30001000		20ELK			Single solenoid valve
820	N.C.		20ELK			Pression reducing valve



## Spare parts

ID	P-code	Model	Type	Accessory	Voltage	Description
MODULE:Break Tank						
28400	15720		20ELK	bt		Break tank assembly
28405	15735		20ELK	bt		Break tank assembly
28410	10706/A		20ELK	bt		47-27 pressure switch
28415	15100		20ELK	bt		Booster pump 0,5HP 220/240V
28420	15721		20ELK	bt		BT long pipe L=1070
28420	15722		20ELK	bt		BT middle pipe L=920
28420	15723		20ELK	bt		BT small pipe L=920
28425	2907350		20ELK	bt		12x20 EPDM rubber hose
28430	2907352		20ELK	bt		PVC WRAS rubber hose
28435	14508		20ELK	bt		4,5x9 EPDM rubber hose

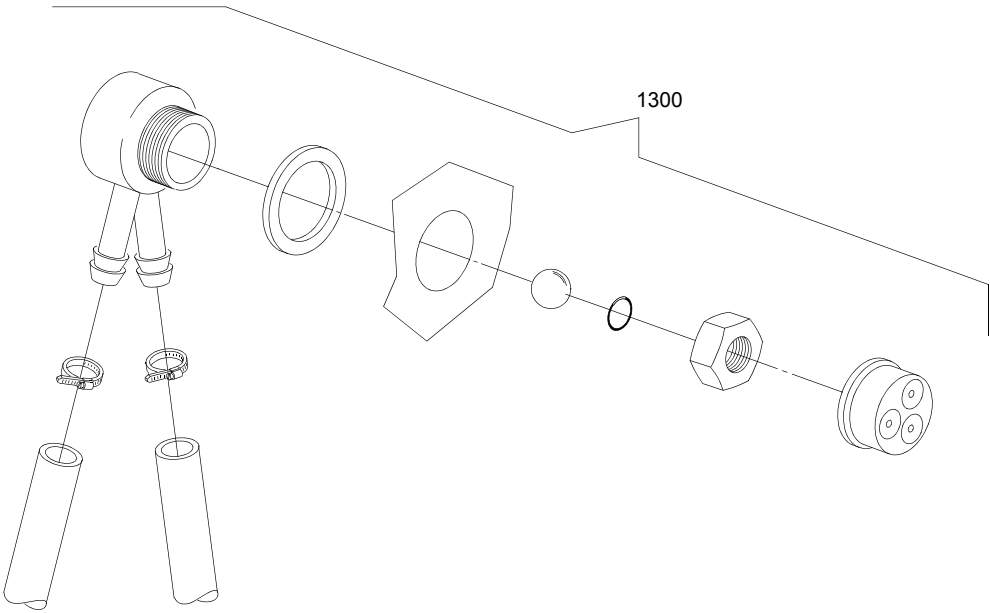
07\_002\_e



**Spare parts**

---

ID	P-code	Model	Type	Accessory	Voltage	Description
MODULE:Booster pump						
1100	15100		20ELK	bp		Booster pump 0,5HP 220/240V



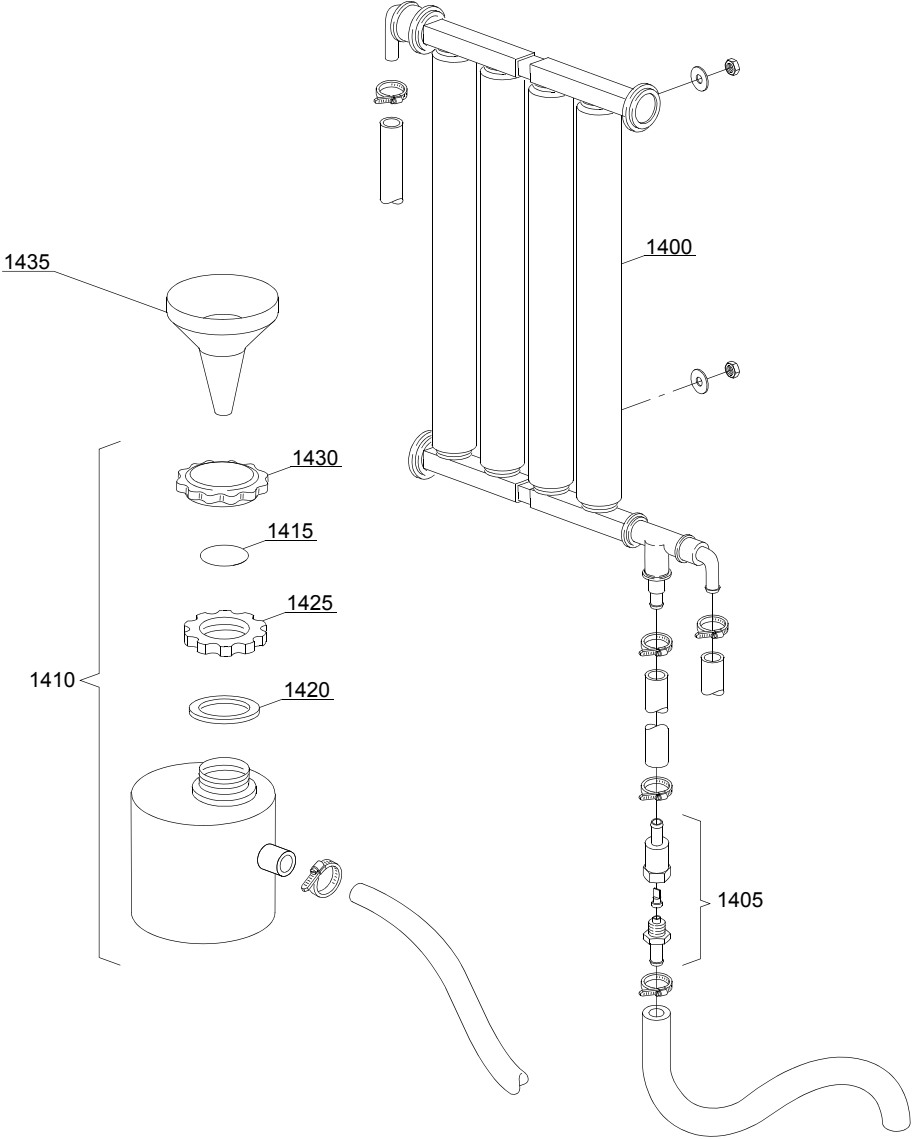
08\_005\_e

**Spare parts**

---

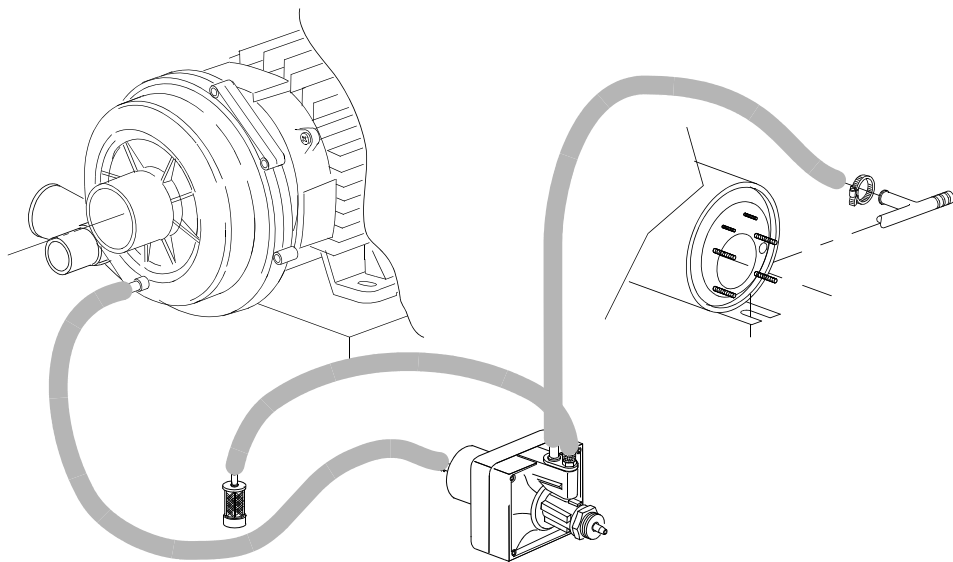
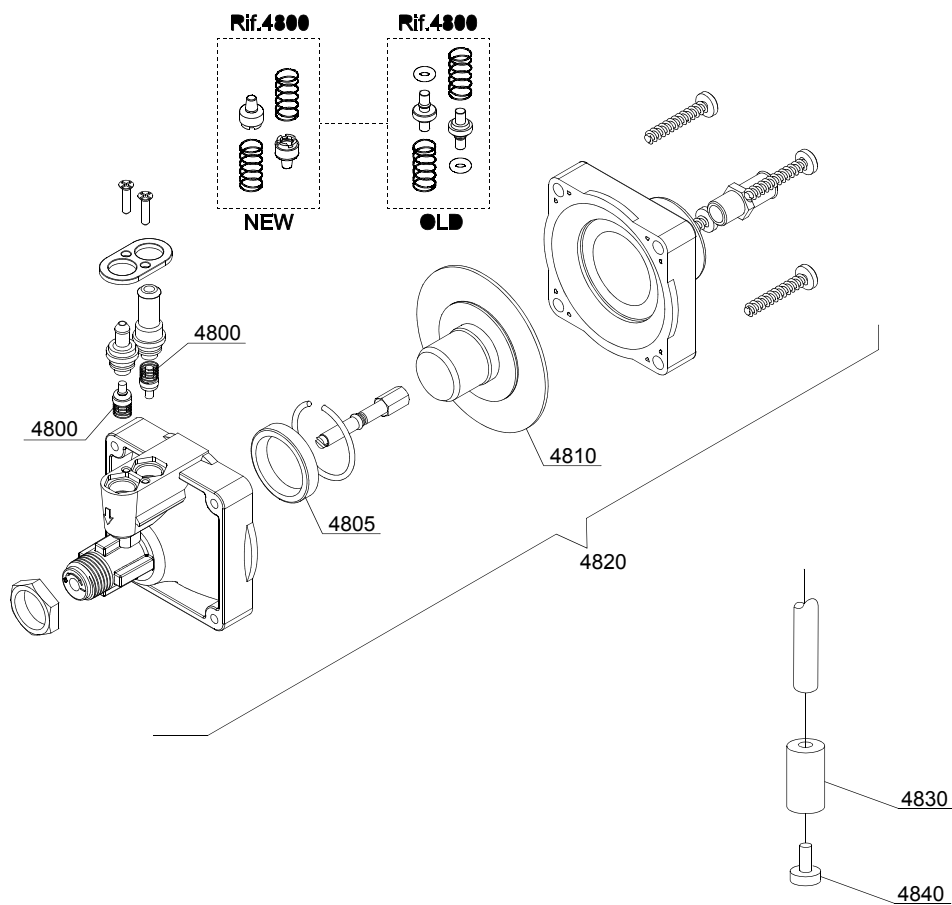
ID	P-code	Model	Type	Accessory	Voltage	Description
MODULE:DVGW						
1300	999900006		20ELK	dvgw		DVGW assembly

09\_001\_e





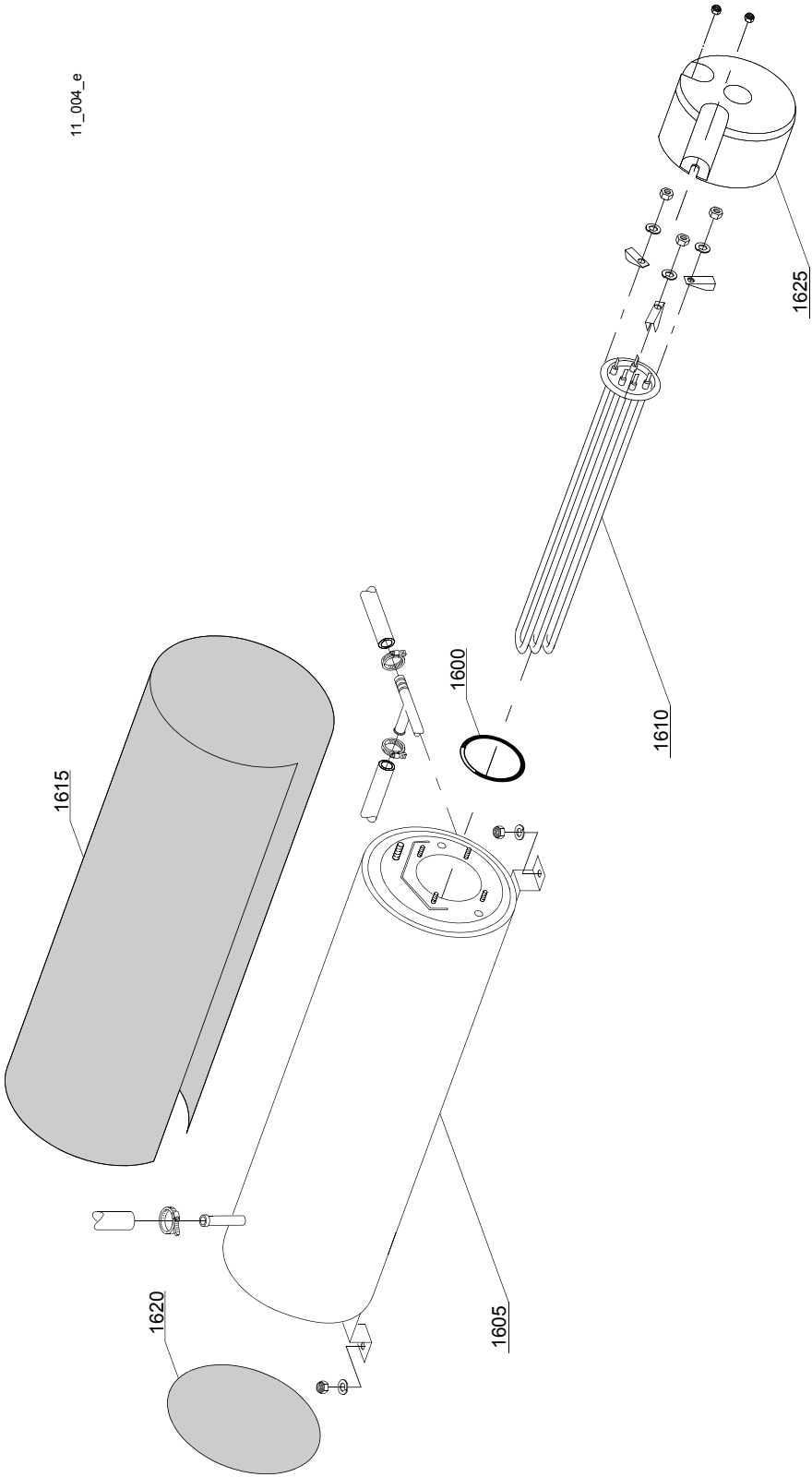
ID	P-code	Model	Type	Accessory	Voltage	Description
MODULE:Water softner group						
1400	16066		20ELK	ws		4 elements water softner
1405	16070		20ELK	ws		Nonreturn valve
1410	16065		20ELK	ws		Salt container
1415	16067/A		20ELK	ws		OR O-ring
1420	16067/B		20ELK	ws		O-ring
1425	16067/C		20ELK	ws		Ring nut
1430	16067/D		20ELK	ws		Plug
1435	16082		20ELK	ws		Funnel



10\_006\_e

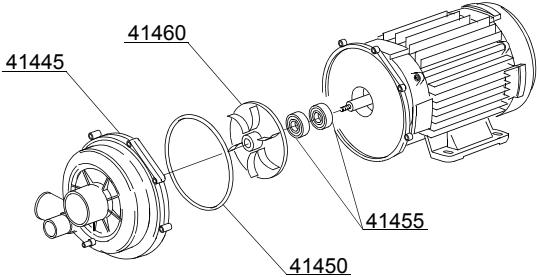
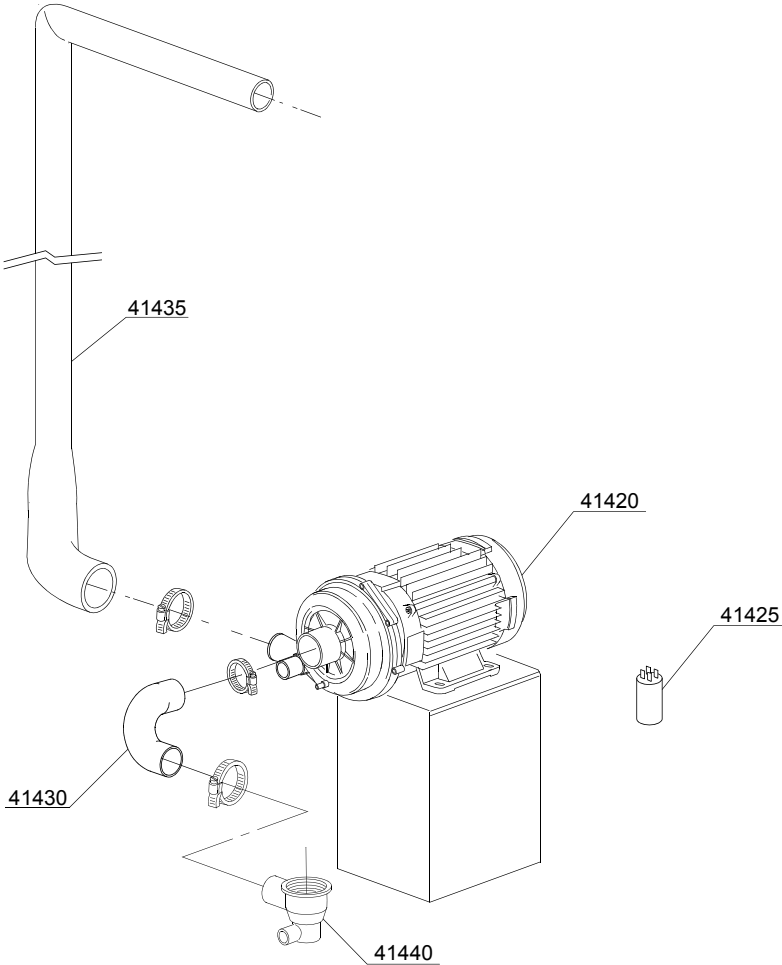
## Spare parts

ID	P-code	Model	Type	Accessory	Voltage	Description
MODULE: Rinse aid dispenser group						
4800	10805		20ELK			Tecnopro non return valve
4805	10806		20ELK			Ø22 O-ring
4810	10807		20ELK			Membrane
4820	10799		20ELK			Rinse aid dispenser
4830	12525		20ELK			Counter-weight
4840	15058		20ELK			Small filter



## Spare parts

ID	P-code	Model	Type	Accessory	Voltage	Description
MODULE:Boiler group						
1600	13015		20ELK			6225 OR 160 NBR O-ring
1605	22002		20ELK			Boiler
1610	30001010		20ELK			6/6,53KW 230/240/3 heating element
1615	30002030		20ELK			Insulation boiler
1620	75205		20ELK			Ø160 end piece

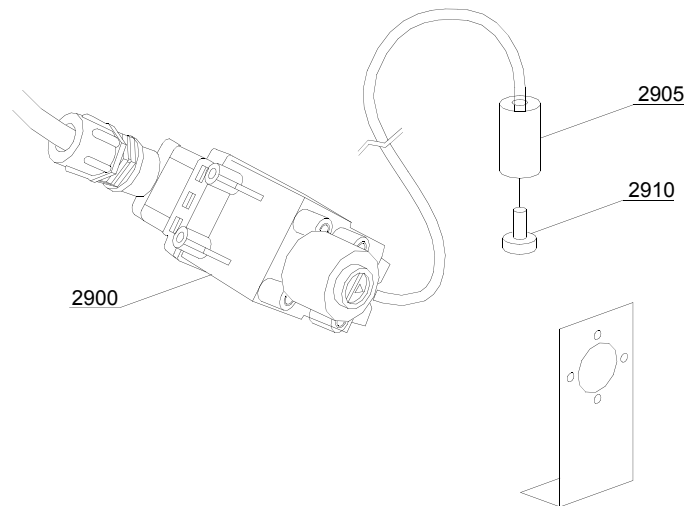
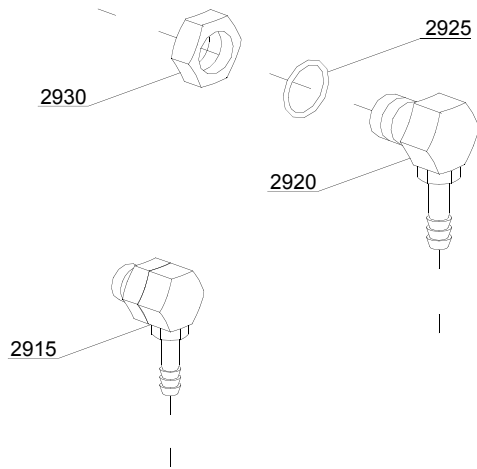


13\_123\_e

## Spare parts

ID	P-code	Model	Type	Accessory	Voltage	Description
MODULE:Wash pump						
41420	22009		20ELK		A	0,10 Hp wash pump
41425	10702		20ELK		H	5 uF condenser
41430	550227		20ELK			Pump pipe coupling
41435	550228		20ELK			Top delivery pipe
41440	500603		20ELK			Scrap tray
41445	15078		20ELK			Scroll
41450	15080/A		20ELK			O-ring
41455	15080		20ELK			Rotating seals
41460	22009/A		20ELK			Pump rotor

14\_002\_e

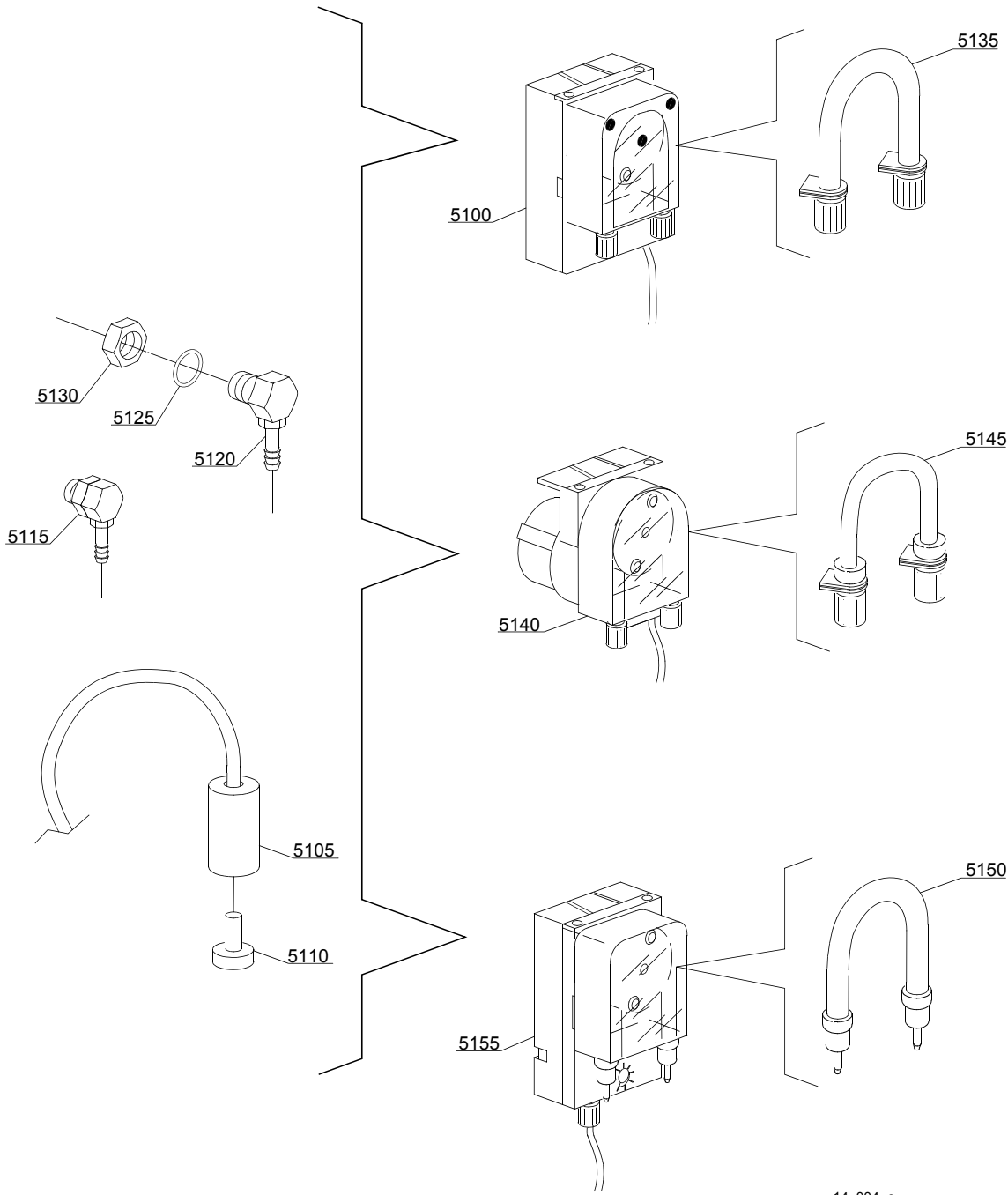




## Spare parts

---

ID	P-code	Model	Type	Accessory	Voltage	Description
MODULE:Dosing detergent group						
2900	15108/L		20ELK	dd		Lang detergent pump
2905	12525		20ELK	dd		Counter-weight
2910	15058		20ELK	dd		Small filter
2915	15123		20ELK	dd		Compleat plastic injector
2920	15148		20ELK	dd		Steel injector
2925	15159		20ELK	dd		OR O-ring
2930	10200205		20ELK	dd		M12x1 stainless steel nut

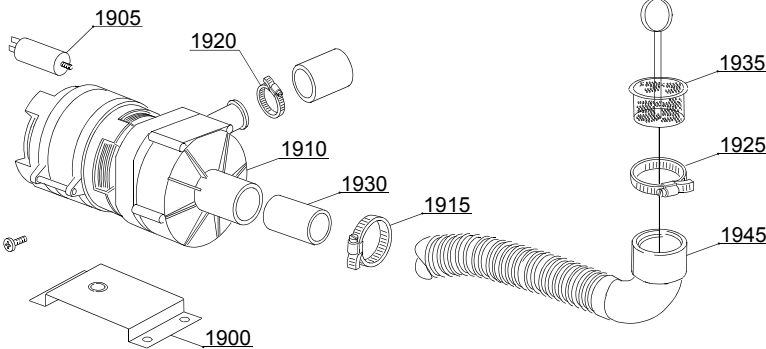


14\_004\_e

## Spare parts

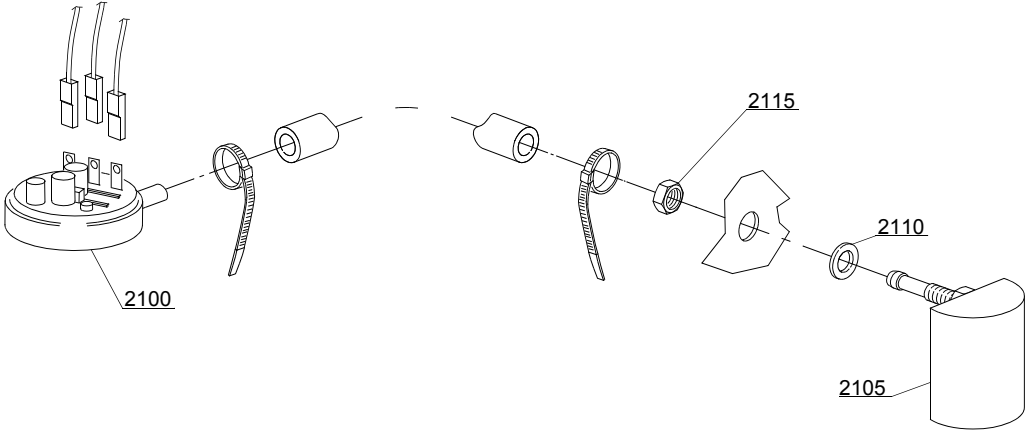
ID	P-code	Model	Type	Accessory	Voltage	Description
MODULE:Dosing detergent group						
5100	15985		20ELK	dd		Seko detergent pump
5105	12525		20ELK	dd		Counter-weight
5110	15058		20ELK	dd		Small filter
5115	15123		20ELK	dd		Complet plastic injector
5120	15148		20ELK	dd		Steel injector
5125	15159		20ELK	dd		OR O-ring
5130	10200205		20ELK	dd		M12x1 stainless steel nut
5135	15185		20ELK	dd		Ø 10 Seko thermoplastic pipe
5140	15985		20ELK	dd		Ø 8 Germac detergent pump
5145	15108/E		20ELK	dd		Ø 10 Germac thermoplastic pipe
5150	15985/A		20ELK	dd		Ø 10 PLAS CONT thermoplastic pipe
5155	15985		20ELK	dd		PLAS CONT detergent pipe

15\_003\_e



## Spare parts

ID	P-code	Model	Type	Accessory	Voltage	Description
MODULE:Drain pump group						
1900	440122		20ELK	dp		Pump support
1905	10702		20ELK	dp		5 uF condenser
1910	10501/A		20ELK	dp		190W 230V drain pump
1915	11806		20ELK	dp		25/40 clamp
1920	11836		20ELK	dp		20/32 clamp
1925	11809		20ELK	dp		30/45 clamp
1930	15131		20ELK	dp		Suction pipe
1945	18767		20ELK	dp		Drain coude/pump connection pipe

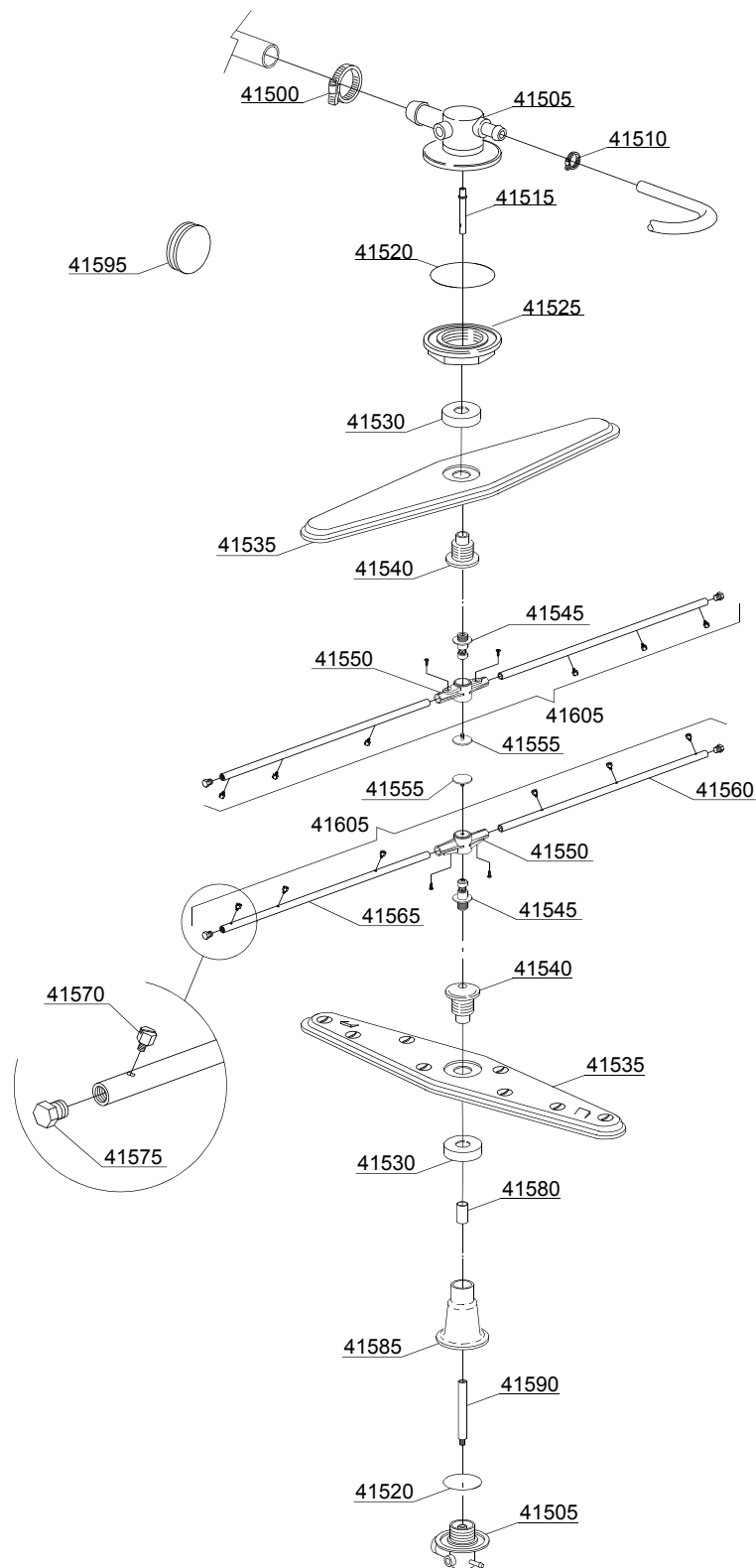


16\_001\_e

## Spare parts

---

ID	P-code	Model	Type	Accessory	Voltage	Description
MODULE:Pressure switch group with air trap						
2100	10300026		20ELK			76-38 pressure switch
2105	10911/C		20ELK			Air trap assembly
2110	13301		20ELK			O-ring
2115	11702		20ELK			M8 stainless steel nut



17\_127\_e



## Spare parts

ID	P-code	Model	Type	Accessory	Voltage	Description
MODULE:Turret group with rotating arms						
41500	11806		20ELK			25/40 clamp
41505	500612		20ELK			Top/lower turret
41510	11807		20ELK			12/22 clamp
41515	75315		20ELK			Rinse axle extension
41520	13015		20ELK			6225 OR 160 NBR O-ring
41525	500610		20ELK			Ring nut for fixing turret
41530	75317		20ELK			Nut for wash arm bearing
41535	75915		20ELK			Stainless steel wash rotor
41540	75316		20ELK			Hub for rotor
41545	10651		20ELK			Rinse axle
41550	10650		20ELK			Rinse arm
41555	10652		20ELK			Rinse arm screw
41560	10657		20ELK			Right rinse arm - stainless steel nozzle
41565	10658		20ELK			Left rinse arm - stainless steel nozzle
41570	560018		20ELK			Stainless steel rinse nozzle
41575	560017		20ELK			Rinse arm plug
41580	550220		20ELK			Hub rotor/pipe coupling spacer
41585	550223		20ELK			Lower pipe coupling
41590	550219		20ELK			Rinse lower distributor connection axle
41595	13316/A		20ELK			DVGW hole O-ring