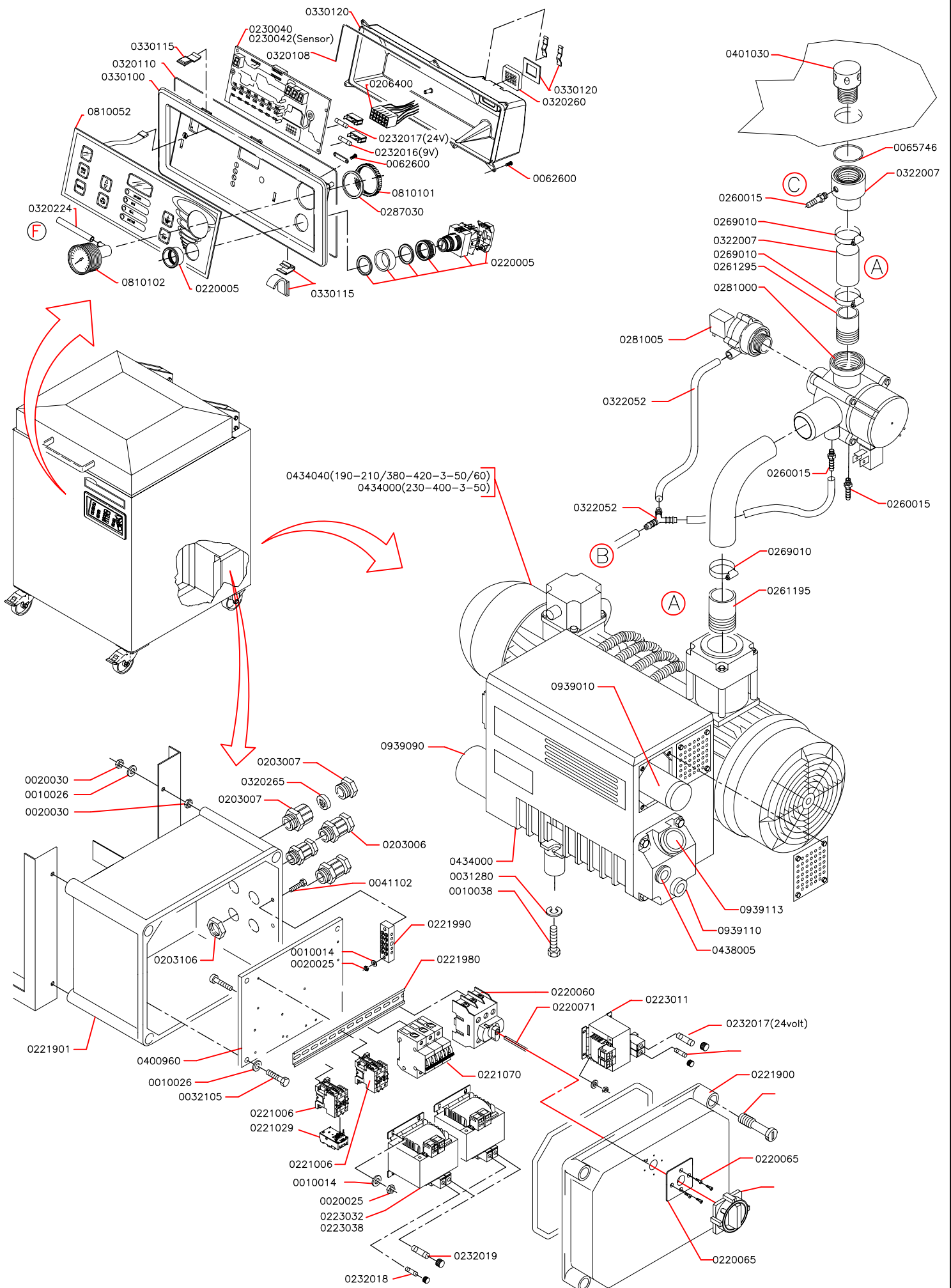




(CS) = CUT-OFF SEAL
 (DS) = DOUBLE SEAL
 (8mm) = 8mm SEAL

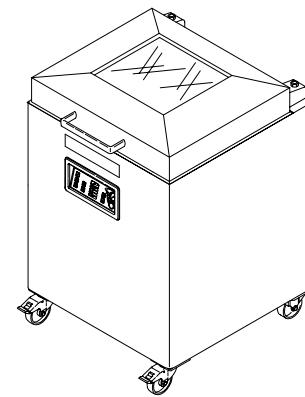
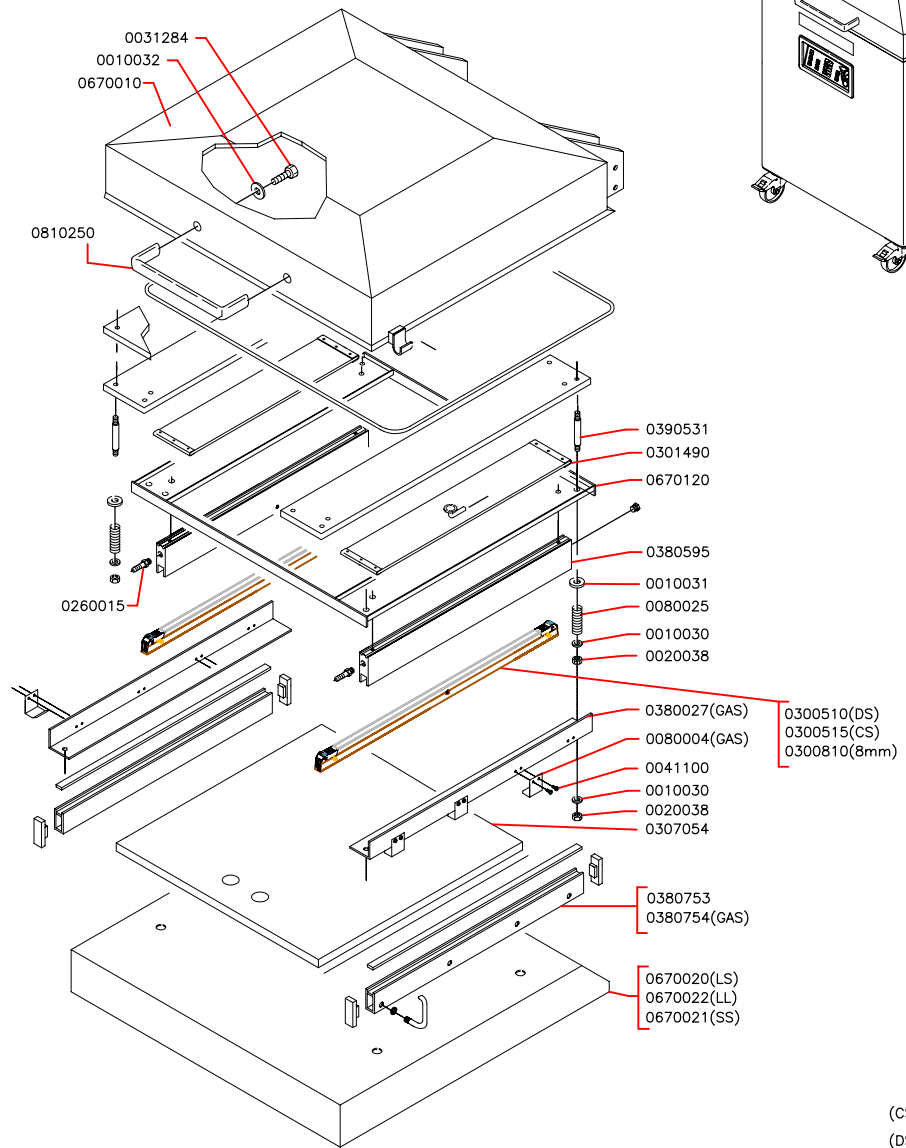
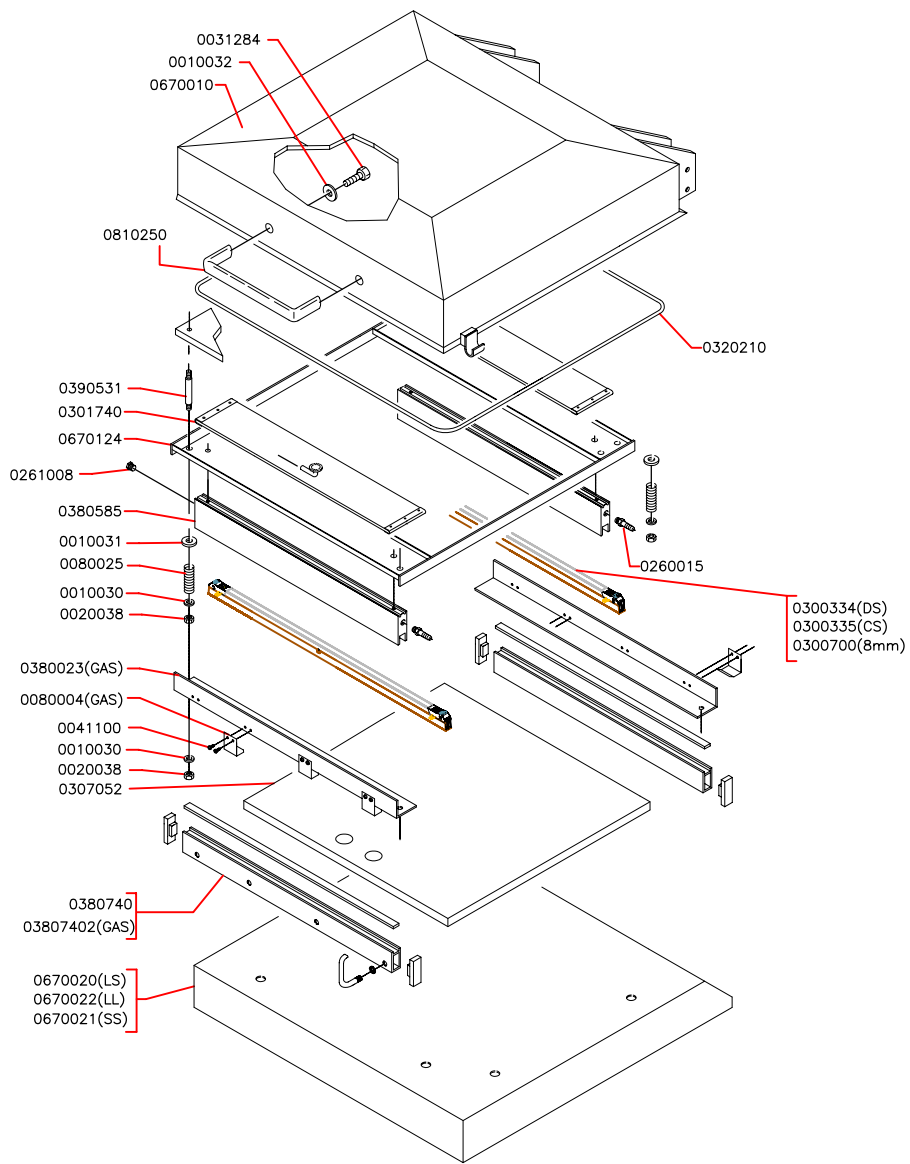
Scale:	Name:	Exploded View POLAR 80 L-SHAPE	
Date: May 2004			
Drawn by: MD			
HENKELMAN B.V. P.O. box 2117 5202 CC 's-Hertogenbosch Tel. ++31(0)73 - 6213671 Fax ++31(0)73 - 6221318 The Netherlands		A 4	Drawing: Page 1-3
		Rev. no: 02	

Ownership explicitly reserved. Multiplication or information to third parties in any form is not permitted without written permission of the center.




0434040(190-210/380-420-3-50/60)
0434000(230-400-3-50)

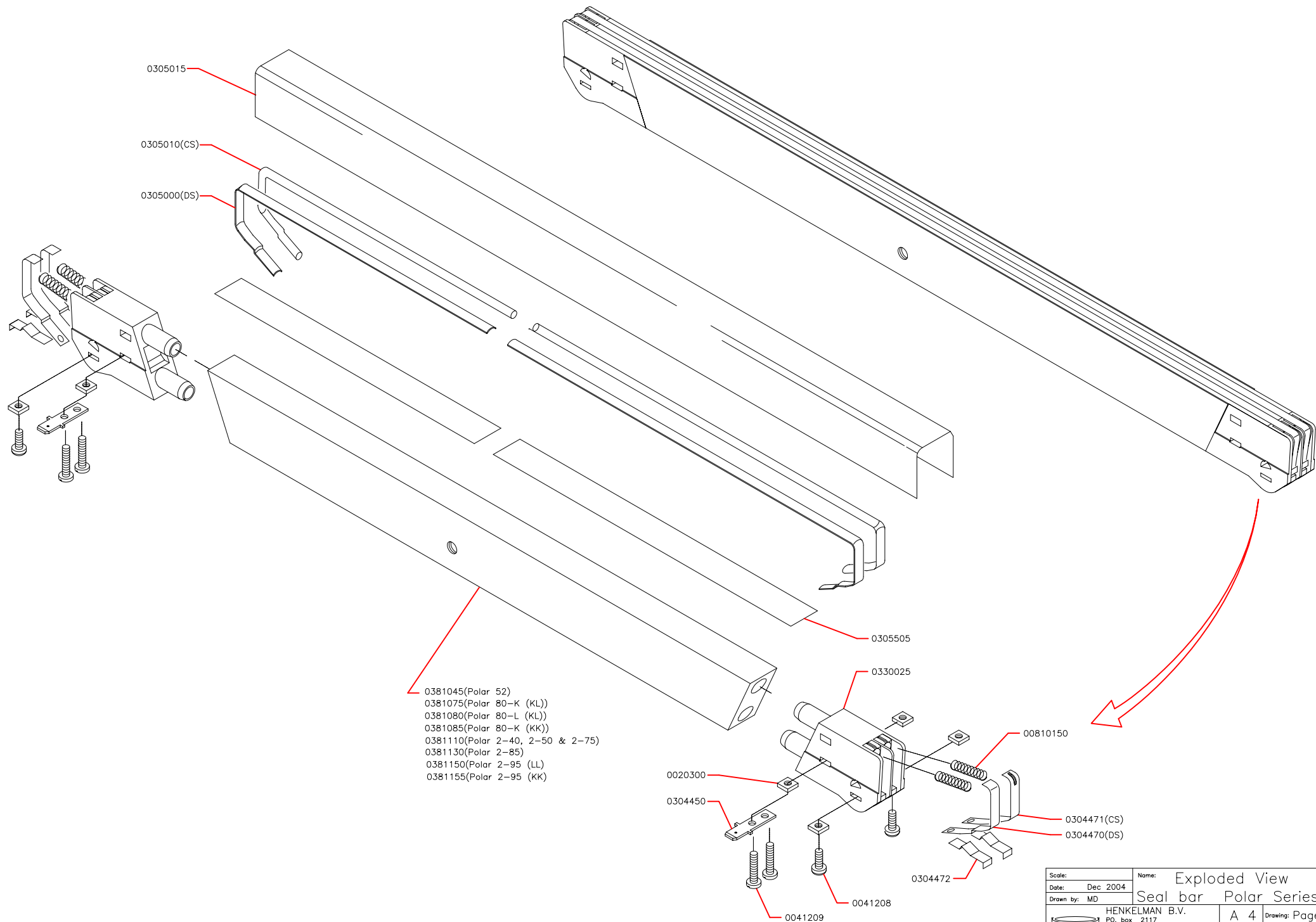
Scale:	Name:	Exploded View	
Date: May 2004	POLAR 80		
Drawn by: MD			
 HENKELMAN B.V. P.O. box 2117 5202 CC 's-Hertogenbosch Tel. ++31(0)73 - 6213671 Fax ++31(0)73 - 6221318 The Netherlands	A 4	Drawing: Page 2-3	
	 Rev, no: 02		
<small>Ownership explicitly reserved. Multiplication or information to third parties in any form is not permitted without written permission of the owner.</small>			



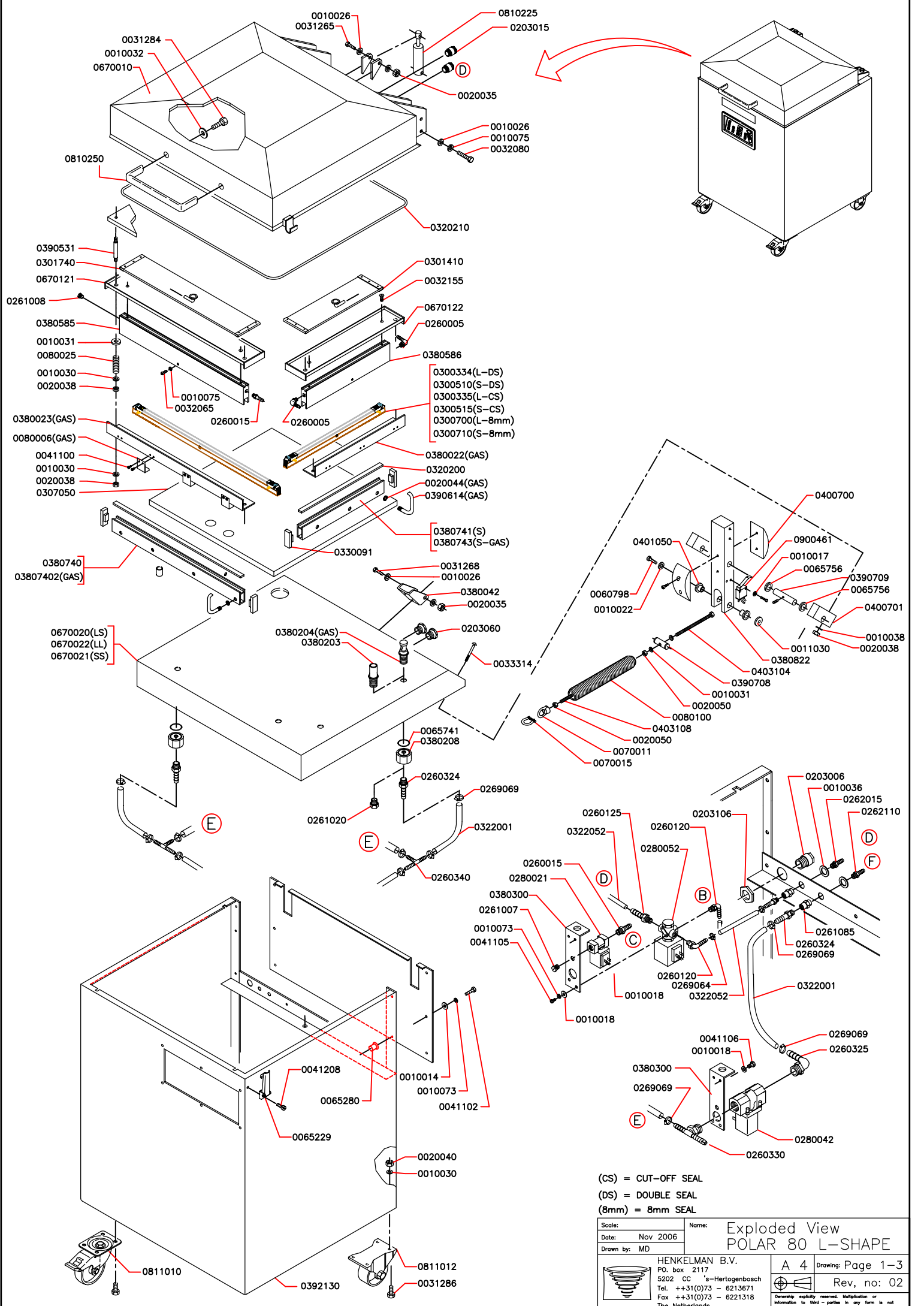
(CS) = CUT-OFF SEAL
(DS) = DOUBLE SEAL
(8mm) = 8mm SEAL

Scale:	Name: Exploded View		
Date: May 2004	POLAR 80 SEAL CONFIG		
Drawn by: MD			
	HENKELMAN B.V.	A 4	Drawing: Page 3-3
	PO. box 2117		Rev. no: 03
	5202 CC 's-Hertogenbosch		
	Tel. ++31(0)73 - 6213671		
Fax ++31(0)73 - 6221318			
The Netherlands			

Ownership explicitly reserved. Multiplication or information to third parties in any form is not permitted without written permission of the owner.



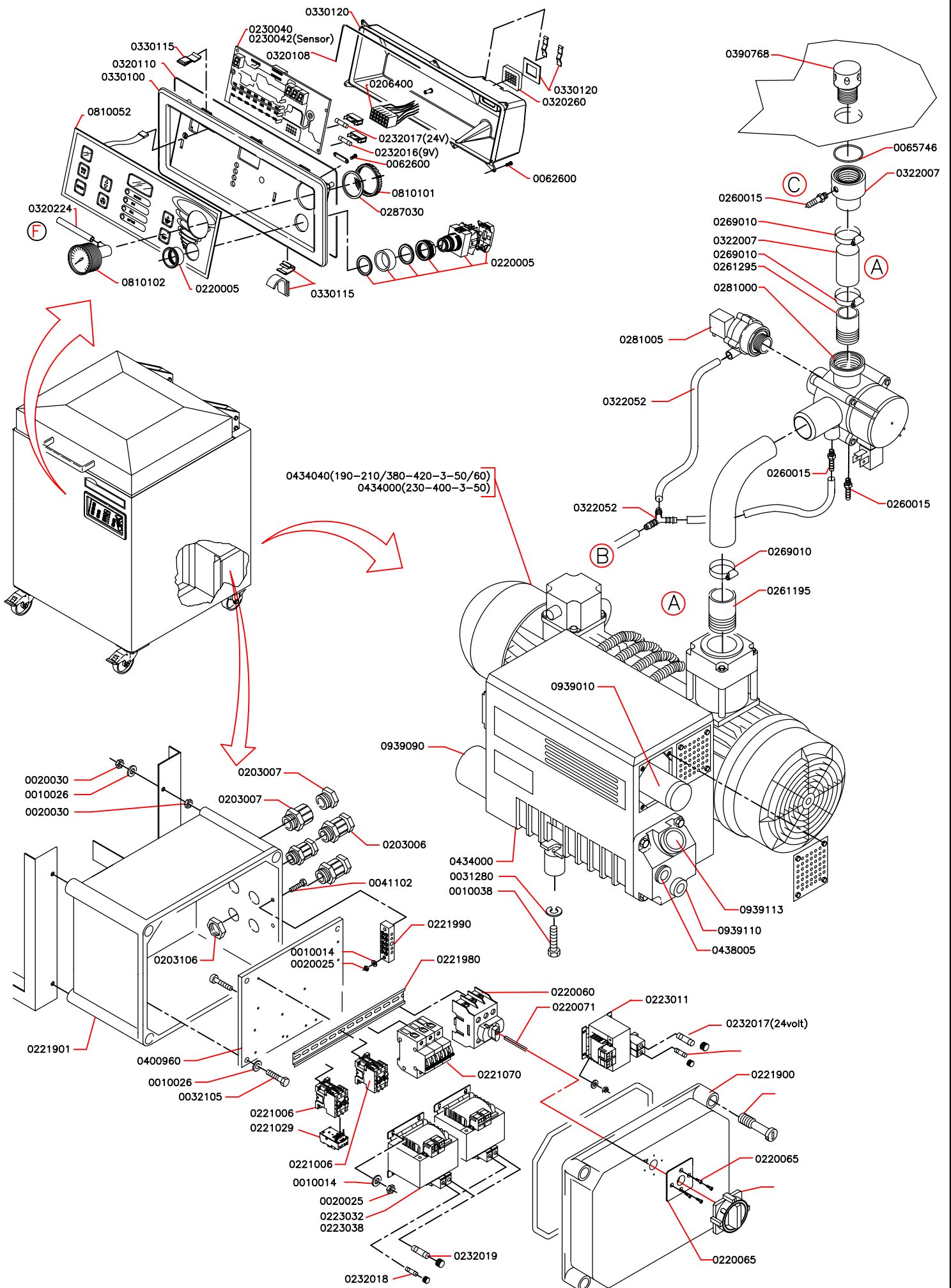
Scale:	Name:	Exploded View	
Date:	Dec 2004	Seal bar Polar Series	
Drawn by:	MD	A 4	Drawing: Page 1-1
HENKELMAN B.V. P.O. box 2117 5202 CC 's-Hertogenbosch Tel. ++31(0)73 - 6213671 Fax ++31(0)73 - 6221318 The Netherlands		Rev. 01 <small>Ownership explicitly reserved. Multiplication or information to third parties in any form is not permitted without written permission of the owner.</small>	




- 0300334(L-DS)
- 0300510(S-DS)
- 0300335(L-CS)
- 0300515(S-CS)
- 0300700(L-8mm)
- 0300710(S-8mm)

(CS) = CUT-OFF SEAL
 (DS) = DOUBLE SEAL
 (8mm) = 8mm SEAL

Scale:	Name:	Exploded View	
Date: Nov 2006	POLAR 80 L-SHAPE		
Drawn by: MD	A 4 Drawing: Page 1-3		
HENKELMAN B.V. P.O. box 2117 5202 CC 's-Hertogenbosch Tel. ++31(0)73 - 6213671 Fax ++31(0)73 - 6221318 The Netherlands		Rev. no: 02 <small>Ownership explicitly reserved. Multiplication or information to third parties in any form is not permitted without written permission of the owner.</small>	



Scale:	Name:	Exploded View	
Date: Nov 2006	POLAR 80		
Drawn by: MD			
 HENKELMAN B.V. P.O. box 2117 5202 CC 's-Hertogenbosch Tel. ++31(0)73 - 6213671 Fax ++31(0)73 - 6221318 The Netherlands	A 4	Drawing: Page 2-3	
	Rev. no: 02		
<small>Ownership explicitly reserved. Multiplication or information to third parties in any form is not permitted without written permission of the owner.</small>			