

# WAREWASHER

ELECTROMECHANICAL SWITCHES  
DOUBLE BODY VERSION

TYPE: 70U

Accessories

BOOSTER PUMP

DVGW

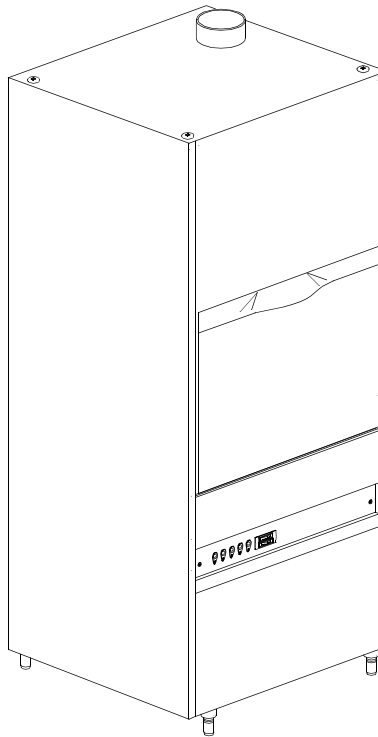
DETERGENT DISPENSER

DRAIN PUMP

---

## Spare parts

---



---

S/N:

Valid from:..11/2002

Rev.: 0.0

---



## 1. Spare parts

General body parts.....	7
Lockup system .....	9
Control panel .....	11
Control electric components.....	13
Solenoid valve group .....	15
Booster pump.....	17
DVGW .....	19
Shining product dosing device group .	21
Boiler group .....	23
3 ways derivation.....	25
Wash pump .....	27
Dosing device group .....	29
Dosing device group .....	31
Drain pump group.....	33
Pressure switch group with air trap ...	35
Turret group with rotating arms .....	37

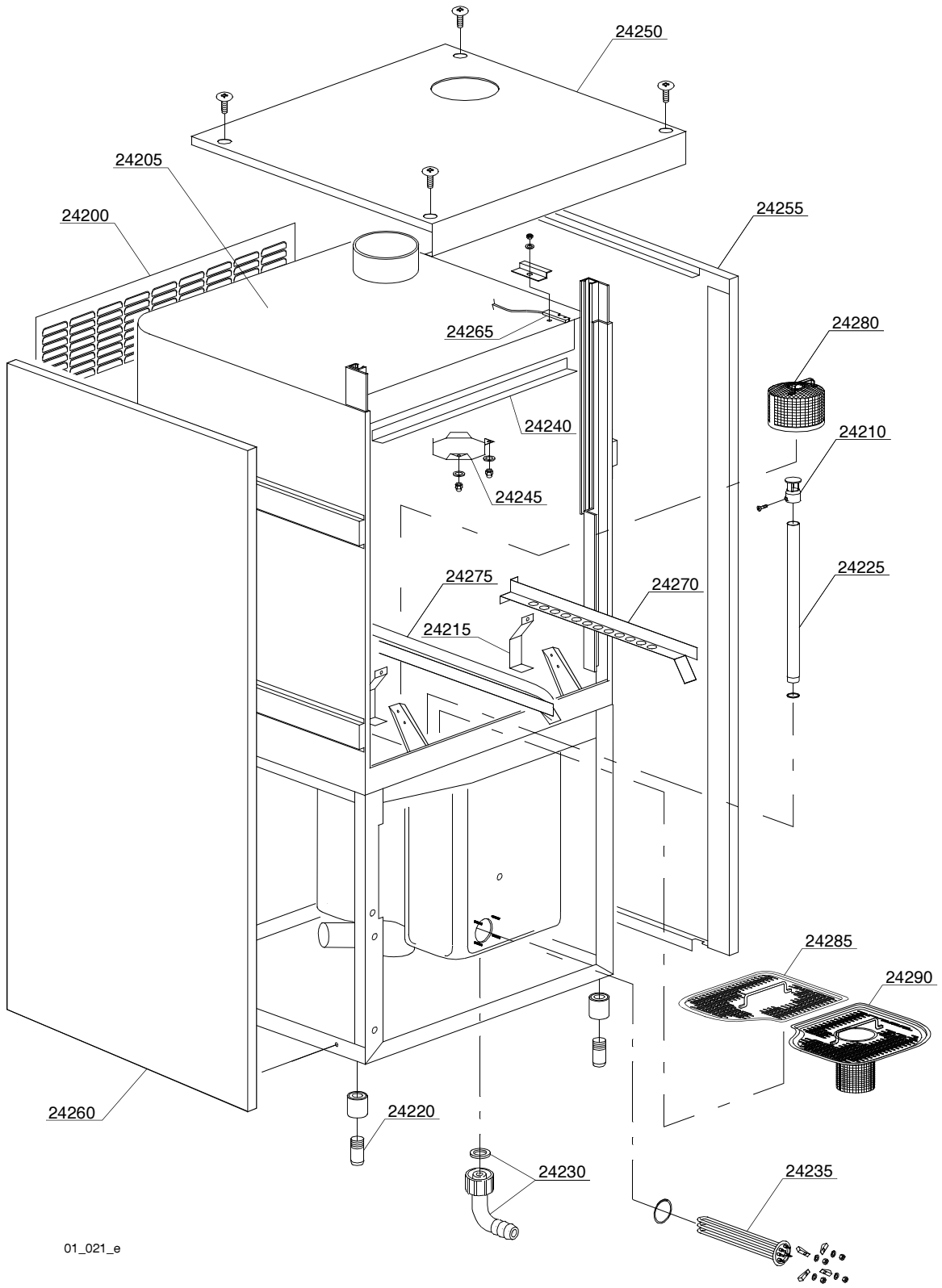


## 1.1 Voltage codes

Voltage code	Voltage
A	3/N/PE~400/230V 50Hz
B	~250V 16A 50Hz
C	3/N/PE~380/220V 50Hz
D	3/PE~200V 50-60Hz
F	2/PE 220-240V 50Hz
G	3/N/PE~415/240V 50Hz
H	3/PE~230V 50Hz
I	3/PE~220V 60Hz
J	3/PE~380 50Hz
K	3/PE~400V 50Hz
L	3/PE~415V 50Hz
M	3/PE~440V 60Hz
N	3/PE~460V 60Hz
O	3/PE~480V 60Hz
P	1/N/PE~220-240V 50Hz
R	2/PE~220-230V 60Hz
S	3/N/PE~400/230V 50Hz
T	3/PE~230V 60Hz

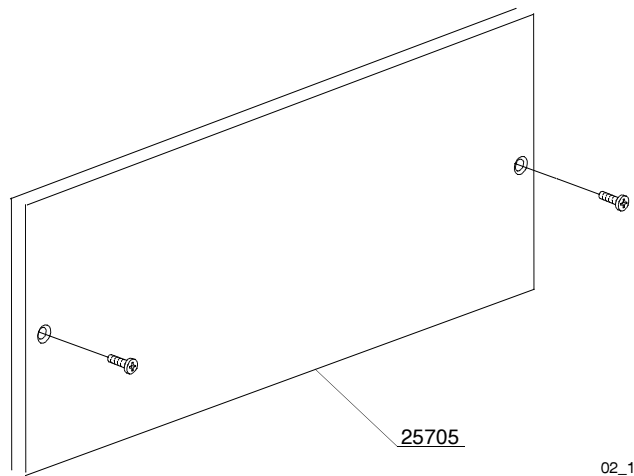
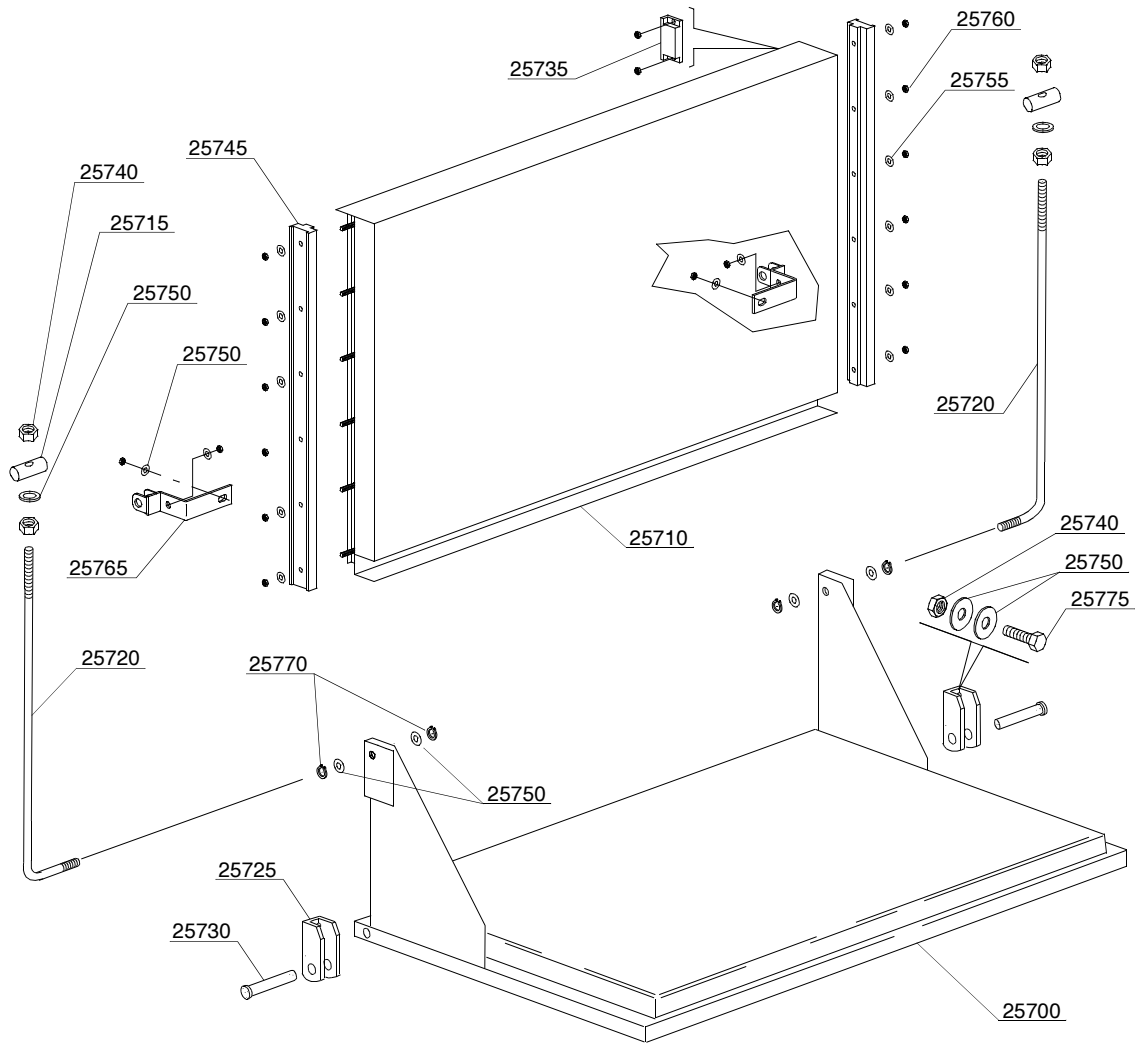
## 1.2 Product codes

Product code	Full name
Model codes	
em	ELECTROMECHANICAL SWITCHES
dc	DOUBLE BODY VERSION
Type codes	
70U	70U
Accessory codes	
pap	BOOSTER PUMP
dvgw	DVGW
dde	DETERGENT DISPENSER
ps	DRAIN PUMP





Spare parts



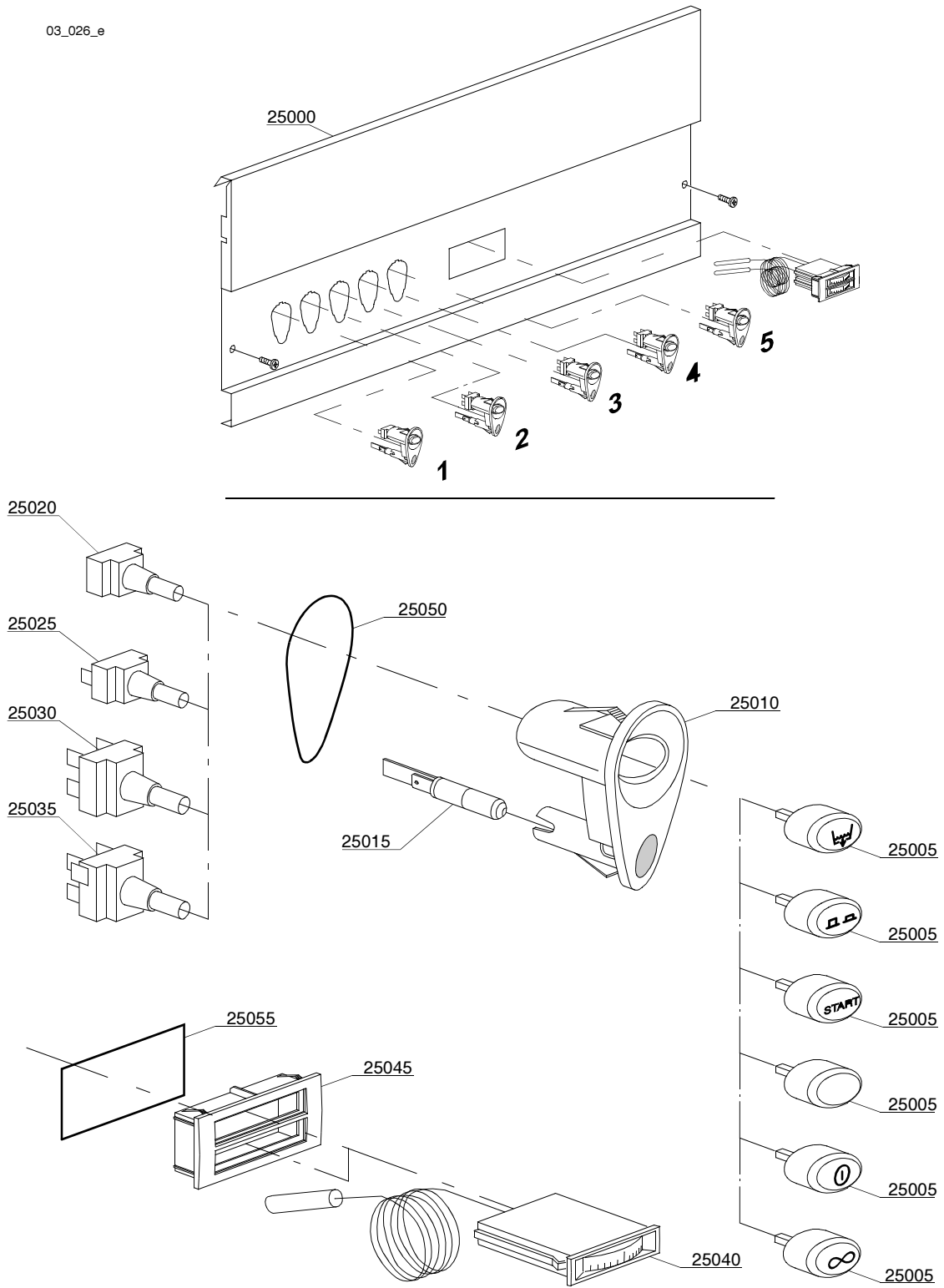
02\_123\_e



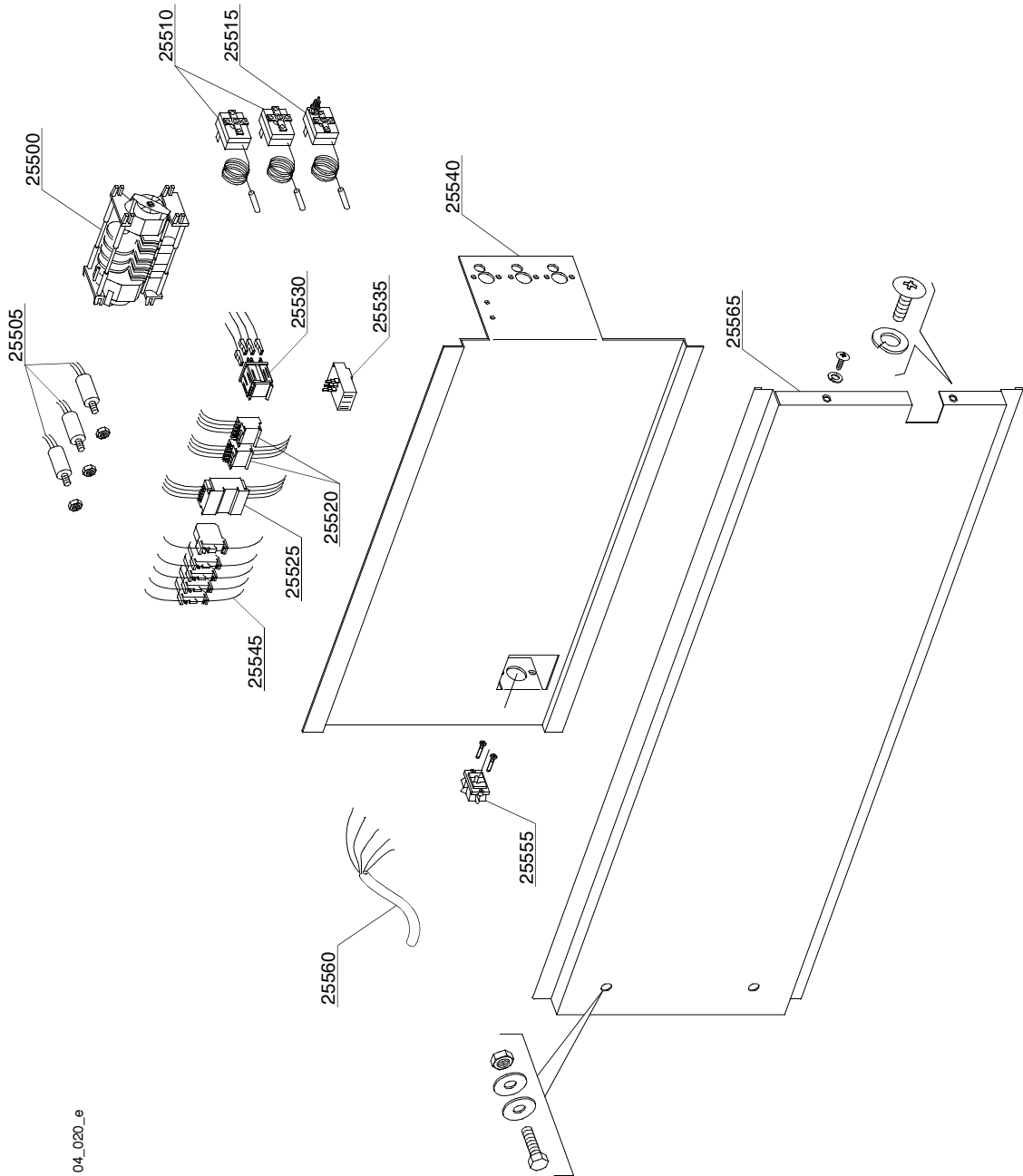


# Spare parts

03\_026\_e

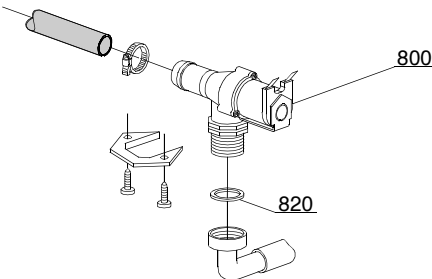






04\_020\_e





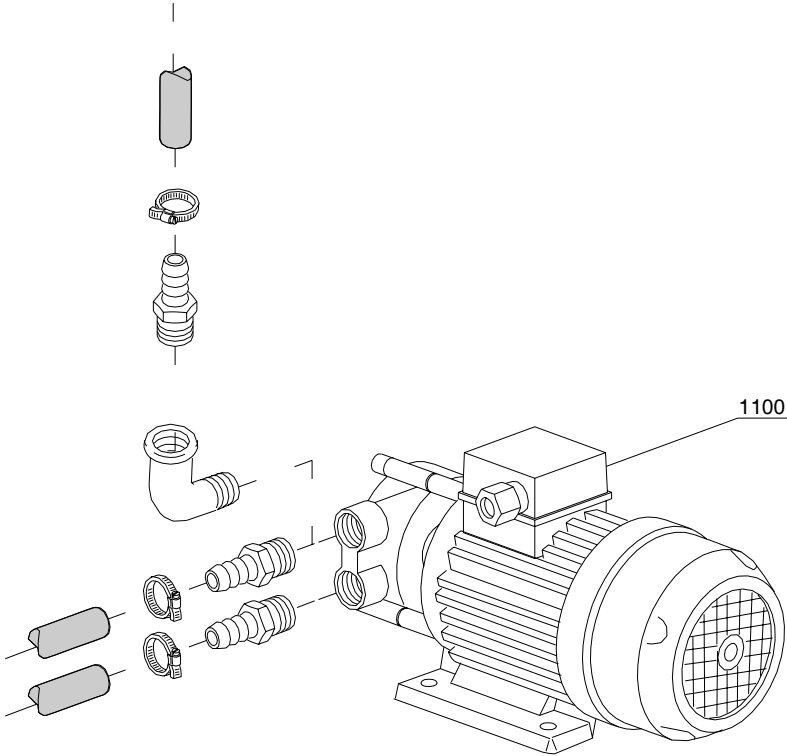
05\_005\_e

**Spare parts**

---

ID	P-code	Model	Type	Accessory	Voltage	Description
MODULE:Solenoid valve group						
800	30001000		70U			Single solenoid valve
820	N.C.		70U			Pression reducing valve

07\_002\_e

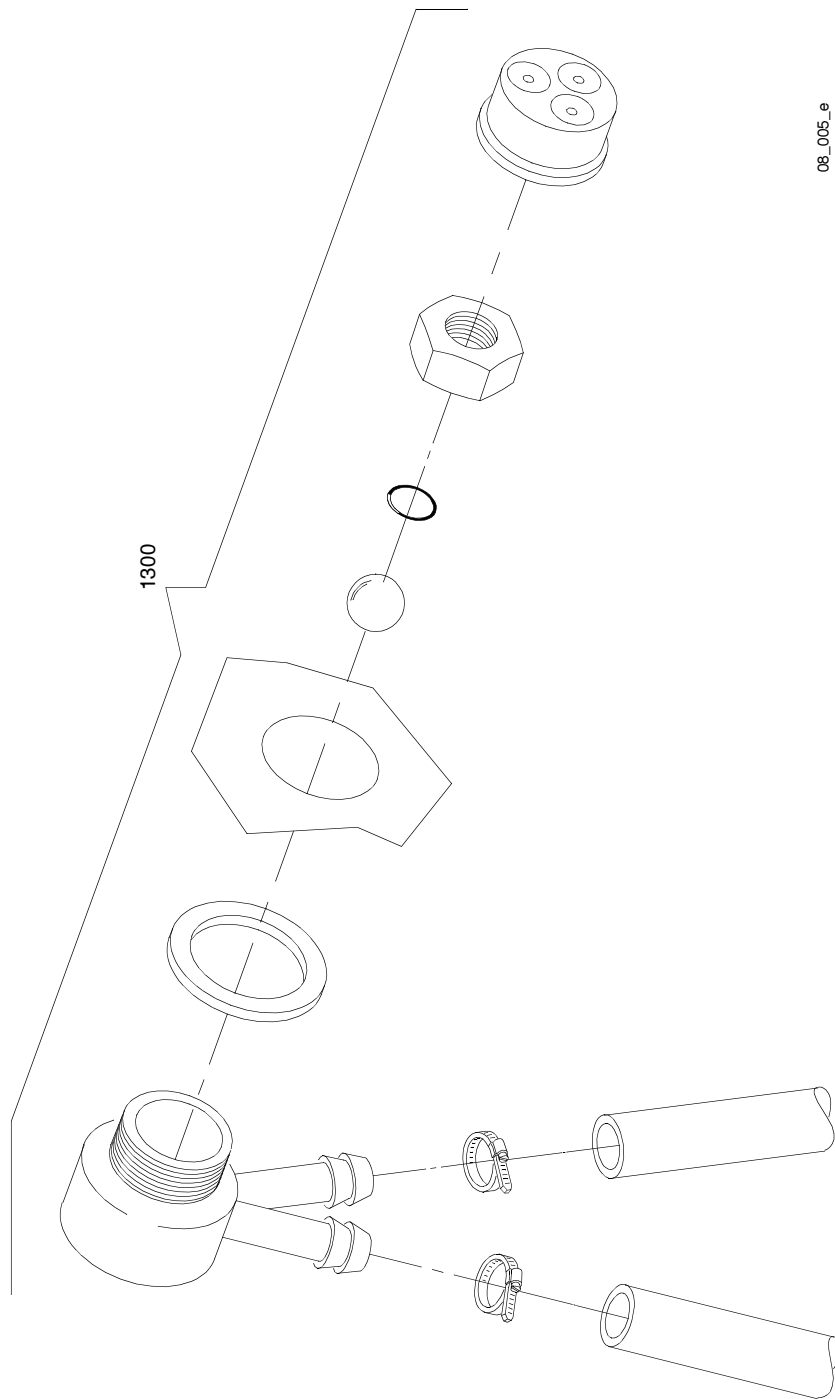




**Spare parts**

---

ID	P-code	Model	Type	Accessory	Voltage	Description
MODULE:Booster pump						
1100	15100		70U	bp		Booster pump



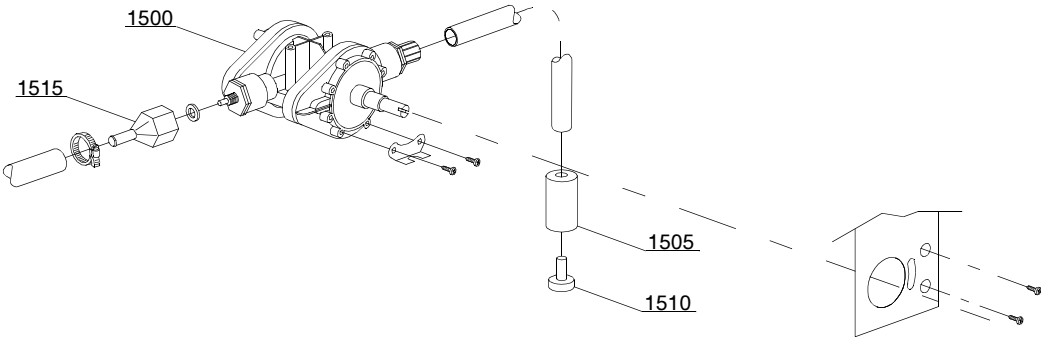
08\_005\_e

**Spare parts**

---

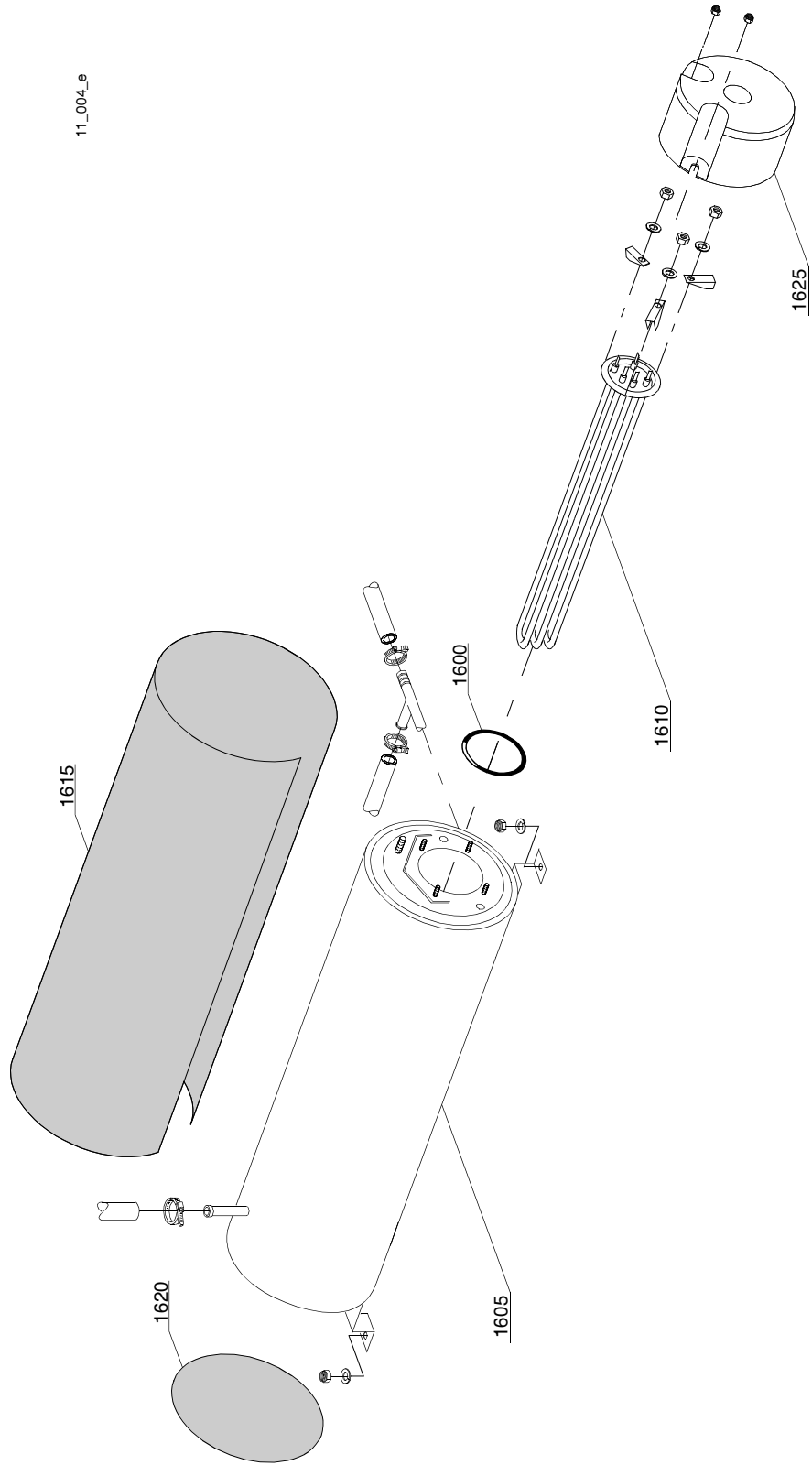
ID	P-code	Model	Type	Accessory	Voltage	Description
MODULE:DVGW						
1300	999900006		70U	dvgw		DVGW assembly

10\_002\_e



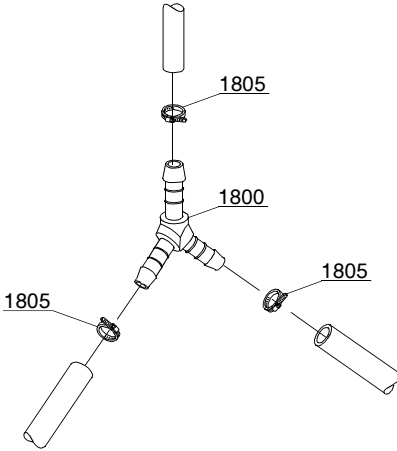
## Spare parts

ID	P-code	Model	Type	Accessory	Voltage	Description
MODULE:Shining product dosing device group						
1500	10798		70U			Shining product dosing device
1505	12525		70U			Counter-weight
1510	15058		70U			Small filter
1515	10798/B		70U			Brass pipe fitting



## Spare parts

ID	P-code	Model	Type	Accessory	Voltage	Description
MODULE:Boiler group						
1600	13015		70U			6225 OR 160 NBR gasket
1605	22002		70U			Boiler
1610	30001010		70U			6KW heating element
1610	30001011		70U			9KW heating element
1615	30002030		70U			Insulating boiler
1620	75205		70U			Ø160 bottom
1625	75311		70U			Heating element guard



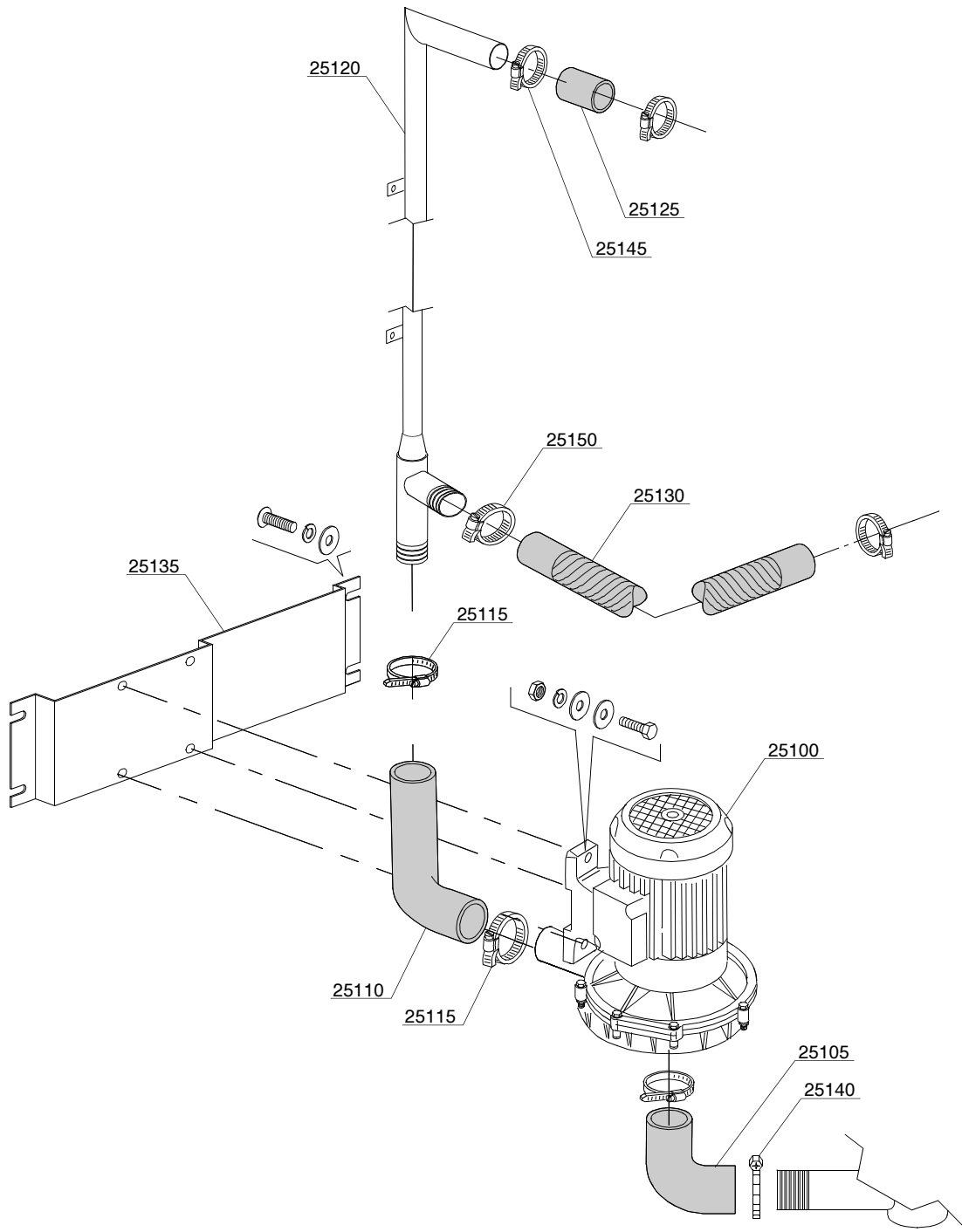
12\_003\_e



**Spare parts**

---

ID	P-code	Model	Type	Accessory	Voltage	Description
MODULE:3 ways derivation						
1800	540091		70U			Ø12 mm plastic 3 ways derivation
1805	11807		70U			12/22 clamp

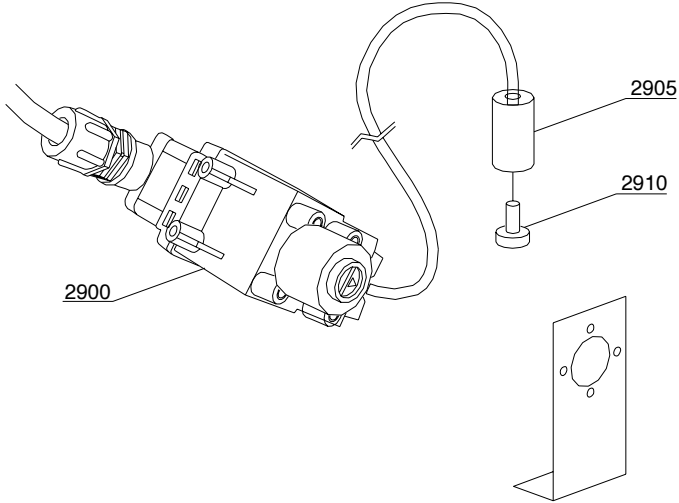
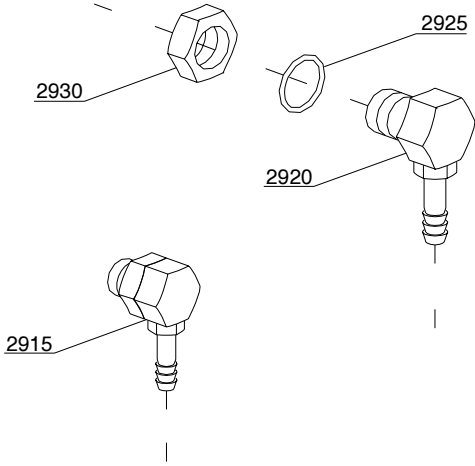


13\_116\_e

## Spare parts

ID	P-code	Model	Type	Accessory	Voltage	Description
MODULE:Wash pump						
25100	88106		70U			2,7Hp wash pump
25100	88106/E		70U			2,7Hp wash pump - 240-415V
25105	3002022		70U			Suction pipe coupling
25110	15032/B		70U			Top delivery pipe
25115	11824		70U			50/70 clamp
25120	90002		70U			Wash ramp
25125	90029		70U			34x45x250 pipe
25130	90030		70U			45x55x280 pipe
25135	90917		70U			Pump support
25140	2902491		70U			60/80 clamp
25145	11809		70U			30/45 clamp
25150	11810		70U			40/60 clamp

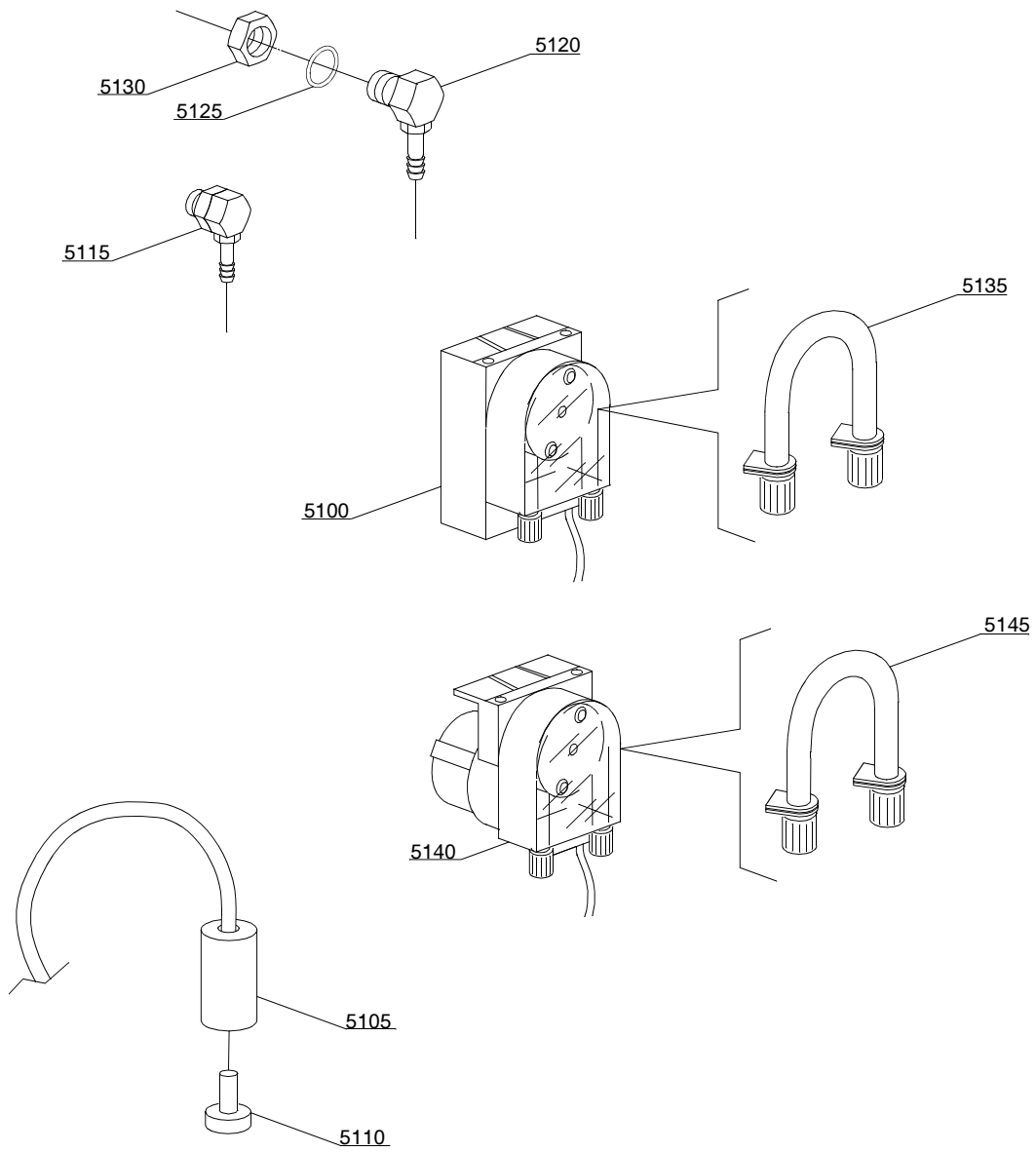
14\_002\_e



## Spare parts

ID	P-code	Model	Type	Accessory	Voltage	Description
MODULE:Dosing device group						
2900	15108/L		70U	dd		Lang dosing device
2905	12525		70U	dd		Counter-weight
2910	15058		70U	dd		Small filter
2915	15123		70U	dd		Compleat plastic injector
2920	15148		70U	dd		Steel injector
2925	15159		70U	dd		OR gasket
2930	10200205		70U	dd		M12x1 stainless steel nut

# Spare parts

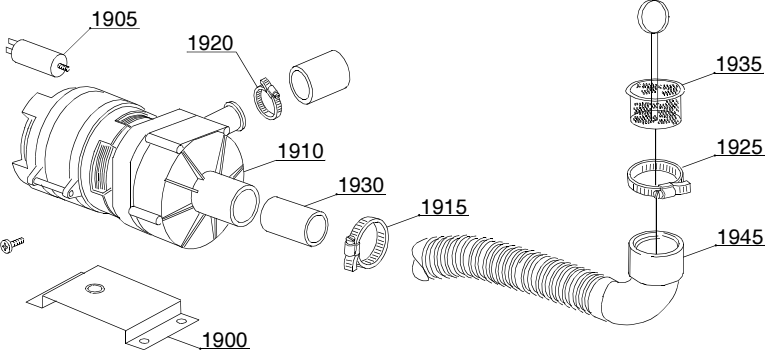


14\_004\_e

## Spare parts

ID	P-code	Model	Type	Accessory	Voltage	Description
MODULE:Dosing device group						
5100	15985		70U	dd		Seko dosing device
5105	12525		70U	dd		Counter-weight
5110	15058		70U	dd		Small filter
5115	15123		70U	dd		Complet plastic injector
5120	15148		70U	dd		Steel injector
5125	15159		70U	dd		OR gasket
5130	10200205		70U	dd		M12x1 stainless steel nut
5135	15185		70U	dd		Seko thermoplastic pipe
5140	15985		70U	dd		Germac dosing device
5145	15108/E		70U	dd		Germac thermoplastic pipe

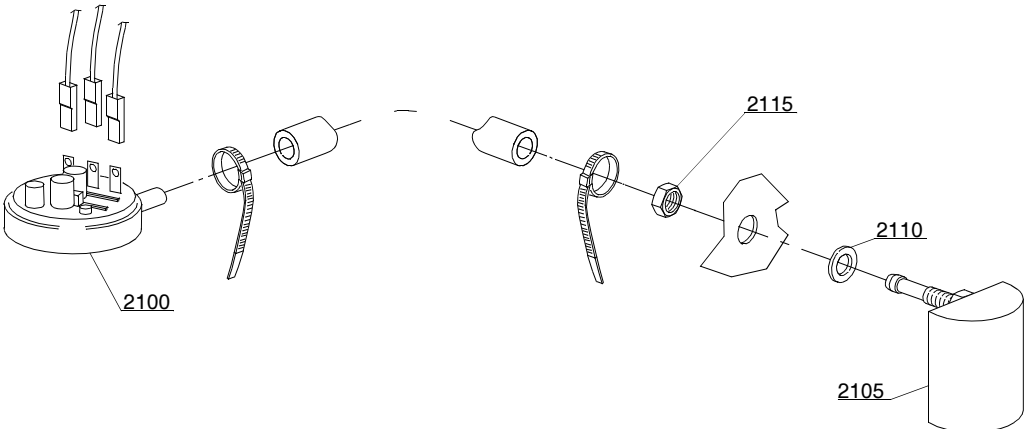
15\_003\_e





## Spare parts

ID	P-code	Model	Type	Accessory	Voltage	Description
MODULE:Drain pump group						
1900	440122		70U	dp		Pump support
1905	10702		70U	dp		5 uF condenser
1910	10501/A		70U	dp		Drain pump
1915	11806		70U	dp		25/40 clamp
1920	11836		70U	dp		20/32 clamp
1925	11809		70U	dp		30/45 clamp
1930	18044		70U	dp		Ø28 top wash pipe

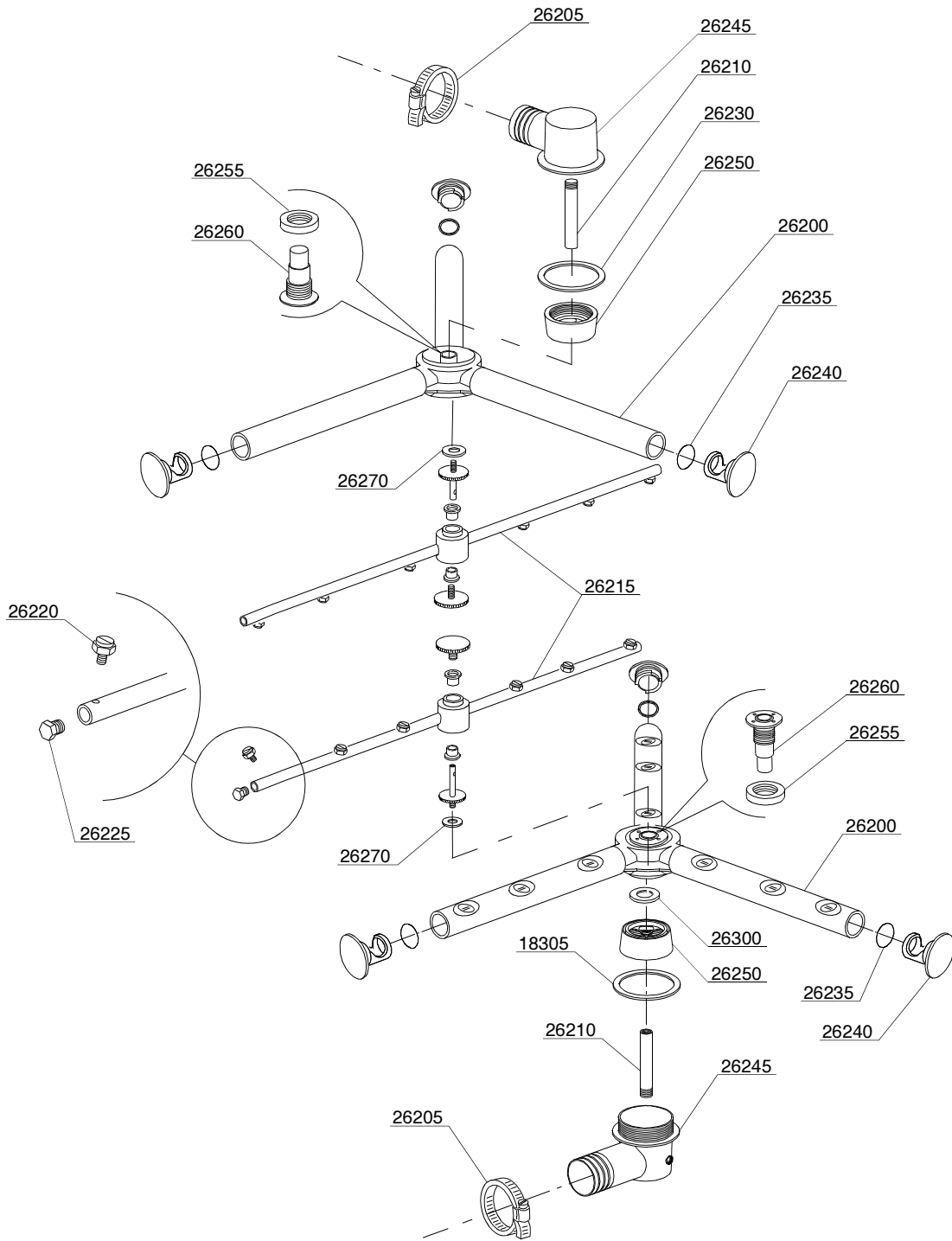


16\_001\_e

## Spare parts

ID	P-code	Model	Type	Accessory	Voltage	Description
MODULE:Pressure switch group with air trap						
2100	90023		70U			190-60 pressure switch
2105	10911		70U			Air trap assembly
2110	13301		70U			Gasket
2115	11702		70U			M8 stainless steel nut

Spare parts



## Spare parts

ID	P-code	Model	Type	Accessory	Voltage	Description
MODULE:Turret group with rotating arms						
26200	90004		70U			Upper/lower complet wash rotor
26205	11810		70U			40/60 clamp
26210	90010		70U			Top axle extension
26215	90003		70U			Rinse group
26220	560018		70U			Stainless steel rinse nozzle
26225	560017		70U			Rinse arm plug
26230	80208		70U			95x75x3 gasket
26235	13023		70U			OR 131 (4093) NBR gasket
26240	3003029		70U			Plastic plug
26245	90008		70U			Lower turret
26250	90009		70U			Turret fixing hub
26255	75317		70U			Nut for hub
26260	75316		70U			Hub for rotor
26270	90031		70U			Sliding washer
26300	11600033		70U			Flux reducer