



## Kühlung Büffet-Element

Artikel-Nr. 651102 (9BESS4FIV0A90 / SOUL SERVICE STAND PLATINUM 4  
ohne Entnahmeklappen)

---

### Explosionszeichnung / Ersatzteile

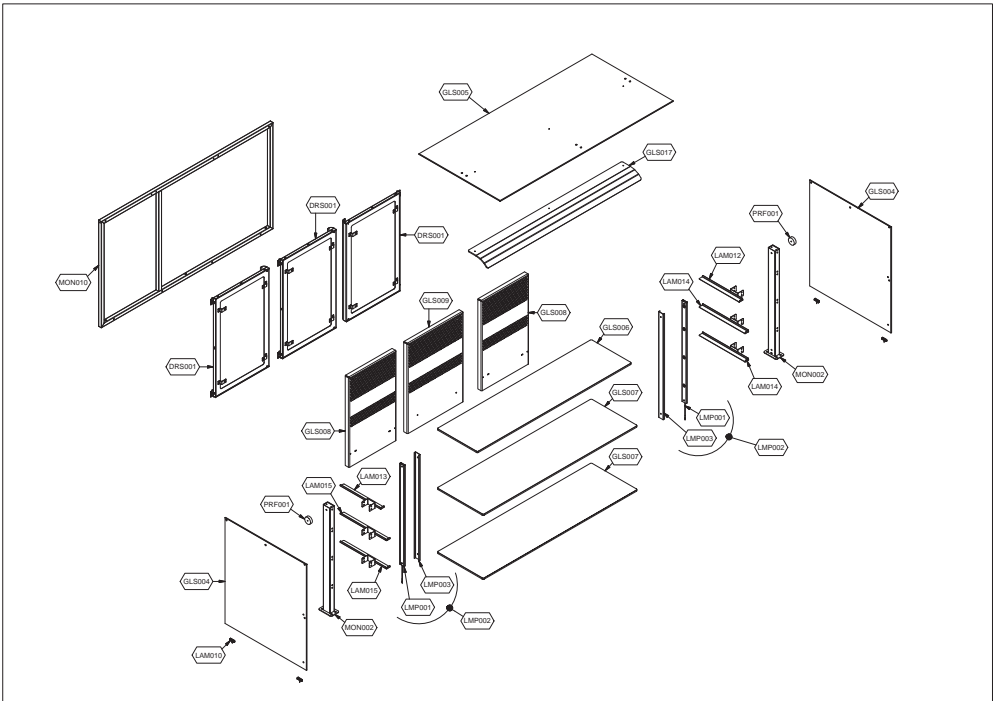
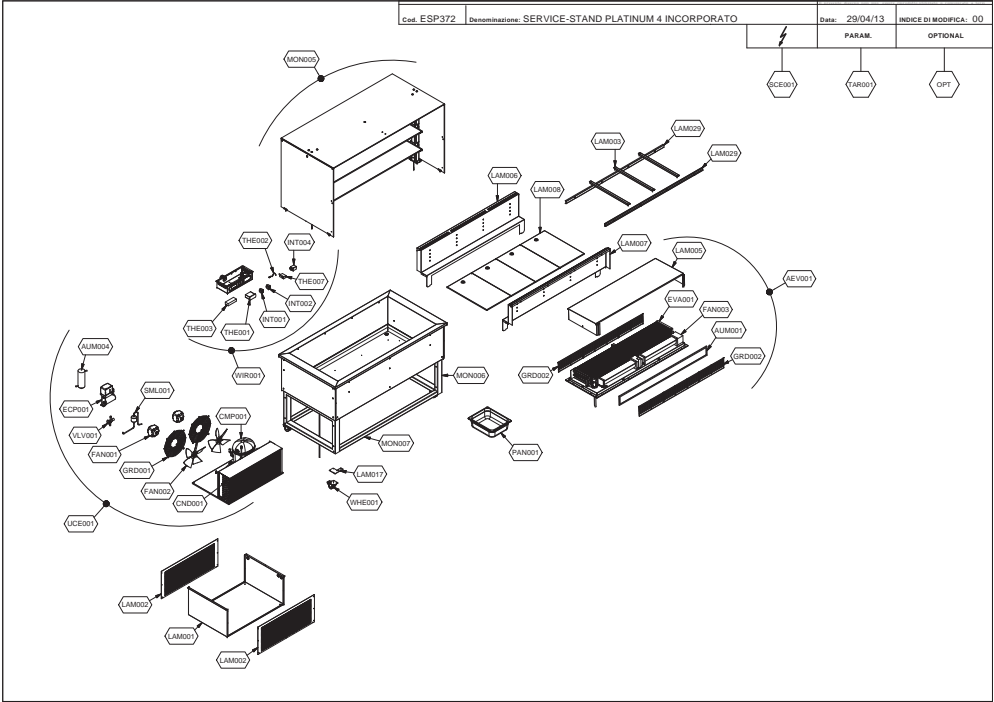
---

Bitte bei Ersatzteilbestellung immer Artikelnummer und Seriennummer  
mit angeben!



| Code            | Description                    | Notes |
|-----------------|--------------------------------|-------|
| 9BESS4FIV0A90ES | EXPLODED VIEW 1                |       |
| 9BESS4FIV0A90ES | EXPLODED VIEW 2                |       |
| 73688954        | FULL EVAPORATOR KIT            | 5     |
| 74837184        | FAN PROTECTION FILTER          | 2     |
| 74700708        | LIQUID RECEIVER                | 2     |
| 74865634        | COMPRESSOR                     | 4     |
| 74837119        | CONDENSER                      | 5     |
| 73669674        | DOOR KIT                       |       |
| 74867018        | COMPRESSOR ELECTRICAL PARTS    | 2     |
| 74839104        | EVAPORATOR                     | 5     |
| 74848160        | FAN                            | 2     |
| 74848118        | FAN BLADE                      | 2     |
| 74845036        | TANGENTIAL FAN                 | 2     |
| 74776568        | SIDE GLASS                     |       |
| 74776534        | CURVED TOP GLASS               |       |
| 74776644        | GLASS TOP MIDDLE SHELF         |       |
| 74776634        | BOTTOM GLASS MIDDLE SHELF      |       |
| 74776664        | AIR-CONVEYOR PER DOOR LATERALE |       |
| 74776665        | CENTRAL DOOR AIR-CONVEYOR      |       |
| 74776535        | DEFLETTORE                     |       |
| 74845124        | FAN GRID                       |       |
| 74847194        | EVAPORATOR GRID                |       |
| 74742008        | MAIN ON/OFF SWITCH             | 2     |
| 74742017        | LIGHT ON/OFF SWITCH            | 2     |
| 75956088        | POWER RELAY                    | 2     |
| 72539281        | CONDENSING UNIT SUPPORT        |       |
| 72539288        | CONDENSING UNIT GRID           |       |
| 72556044        | PAN SUPPORT                    |       |
| 72538764        | EVAPORATOR COVERING            |       |
| 72538684        | EVAPORATOR FRONT AIR-CONVEYOR  |       |
| 72538674        | EVAPORATOR REAR AIR-CONVEYOR   |       |
| 74707262        | WELL TRAY                      |       |
| 72557114        | GLASS SUPPORT                  |       |
| 72538730        | TOP RIGHT SUPPORT              |       |

**9BESS4FIV0A90-SERVICE-STAND PLATINUM 4 INCORPORATO**



| Code        | Description                    | Notes |
|-------------|--------------------------------|-------|
| 72538732    | TOP LEFT SUPPORT               |       |
| 72538734    | BOTTOM RIGHT SUPPORT           |       |
| 72538736    | BOTTOM LEFT SUPPORT            |       |
| 72539674    | FRAME FIXING KIT               |       |
| 72539484    | PANS SUPPORTS                  |       |
| 72539020    | LED LIGHTING                   |       |
| 72539028    | LAMP WITH PROTECTION           |       |
| 72539026    | LED LIGHTING PROTECTION        |       |
| 72538990    | SUPERSTRUCTURE SIDE SUPPORT    |       |
| 73669435    | GLASS SUPERSTRUCTURE W/O FLAPS |       |
| 72539682    | SIDE FRAME                     |       |
| 72539694    | FRONT BOTTOM FRAME             |       |
| 72538954    | DOOR SUPPORT FRAME             |       |
| 74707120    | PAN                            | 3     |
| 72538992    | SPACER                         |       |
| SC850       | ELECTRICAL WIRING              | 1     |
| 73670196    | DRIER FILTER                   | 2     |
| RIF.TAR.B08 | CONTROLLER PRESETTING SERVICE  | 1     |
| 74700881    | UNSETTED ELECTRONIC CONTROLLER | 1     |
| 74700916    | PROBE                          | 1     |
| 74700892    | LED POWER PACK                 | 1     |
| 74700954    | SPEED FAN CONTROLLER           | 1     |
| 74861586    | FULL CONDENSING UNIT           |       |
| 74877107    | VALVE                          | 4     |
| 74708007    | CASTOR/FEET                    |       |
| 73669908    | POWER BOX                      |       |